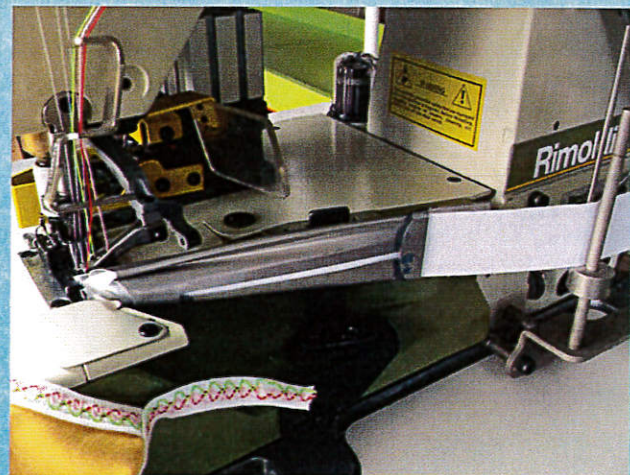
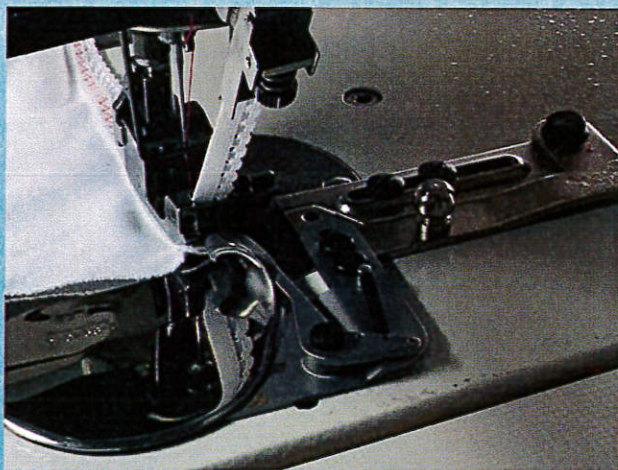
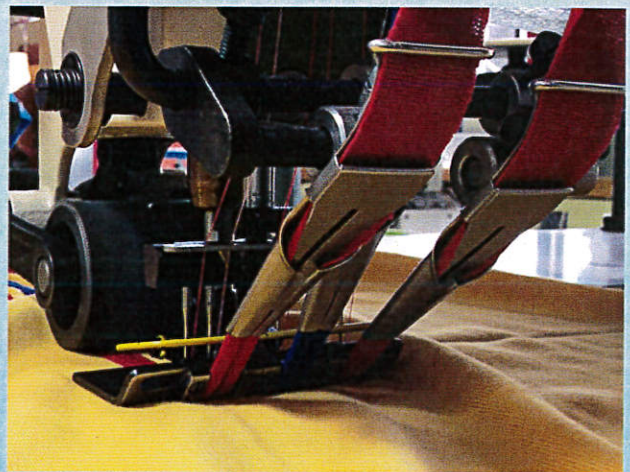
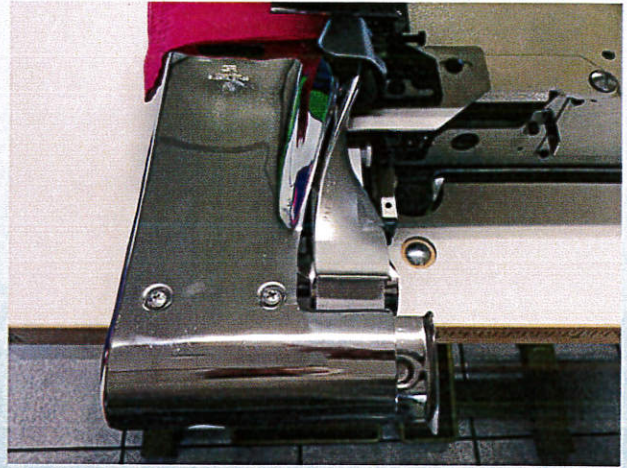
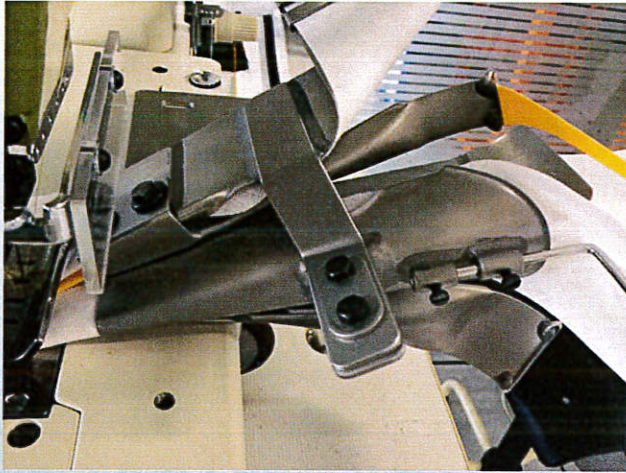


Rimoldi®

GUIDE - ATTACHMENTS



made in Italy

Rimoldi® 

Basic

**DESCRIZIONE
PAGINA TIPO**

**EXAMPLE
OF PAGE**

**EXAMPLE
DE PAGE**

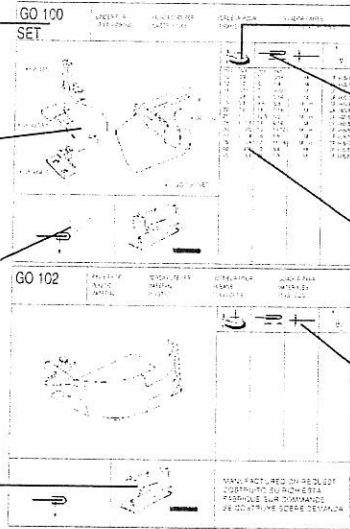
**EJEMPLO
DE PAGINA**

Numero di codice
Code number when ordering
Code de l'article
Numero de codigo

Disegno dell'articolo
Part drawing
Dessin de l'article
Dibujo de la pieza

Disegno lavoro
Operation obtained
Travail accompli
Trabajo obtenido

Macchina consigliata
Suggested machine
Machine suggerée
Maquina aconsejada



Entrata
Cut size
Entrée
Entrada

Finito
Finished size
Fini
Acabado

Misure guida
Attachment sizes
Mesures du guide
Medidas de guía




Spessore
Thickness
Epaisseur
Grosor



**DESCRIZIONE
SIMBOLI GRAFICI**

**SYMBOL
DESCRIPTIONS**

**DESCRIPTION
DES SYMBOLES**

**DESCRIPCION
DE SIMBOLOS**

	trasporto griffa inferiore bottom feeding entraînement par griffe arrastré diente inferior
	trasporto punta ago needle feeding entraînement par aiguille aguja acompañante
	trasporto griffa inferiore e superiore upper and bottom feeding entraînements supérieur et inférieur arrastré superior e inferior

	triplice trasporto walking foot machine entraînement unisson triple arrastre
	coltello centrale central knife couteau central cuchilla central

NOTE

Le simbologie che definiscono gli spessori relativi ai materiali sono le seguenti:

L= Leggero
M= Medio
MH= Medio pesante
H= Pesante
XH= Extra pesante

Le misure che indicano l'uscita delle guide sono indicative e possono variare a seconda dei materiali usati.

NOTES

The following symbols are relating to the thickness of the material

L= Light
M= Medium
MH= Medium heavy
H= Heavy
XH= Extra heavy

The finished size of the attachment can change depending on the fabric used.

NOTES

Les symboles suivantes se réfèrent aux épaisseurs des matériaux

L= Leger
M= Moyen
MH= Moyen épais
H= Epais
XH= Très épais




La mesure finie peut changer selon les épaisseurs des tissus.


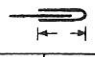
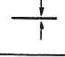
NOTAS


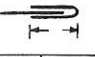

Los símbolos que definen los grosos relativos a los materiales son los siguientes:

L= Ligero
M= Medio
MH= Medio pesado
H= Pesado
XH= Extra pesado

Las medidas que indican la salida de las guías son indicativas y pueden variar según el material usado.

BA 8100		BA 8100 SET				
mm.	inch	mm.	inch			
14	9/16	7	9/32	M		
16	5/8	8	5/16	M		
19	3/4	9.5	3/8	M		
22	7/8	11	7/16	M		
25	1	12.5	1/2	M		
30	1-3/16	15	19/32	M		

BA 8103		BA 8103 SET				
mm.	inch	mm.	inch			
12	15/32	6	1/4	M		
14	9/16	7	9/32	M		
16	5/8	8	5/16	M		
18	23/32	9	23/64	M		
20	25/32	10	25/64	M		
22	7/8	11	7/16	M		
25	1	12.5	1/2	M		

BA 8105		BA 8105 SET				
mm.	inch	mm.	inch			
14	9/16	7	9/32	M		
16	5/8	8	5/16	M		
18	23/32	9	23/64	M		
20	25/32	10	25/64	M		
25	1	12.5	1/2	M		

BASIC



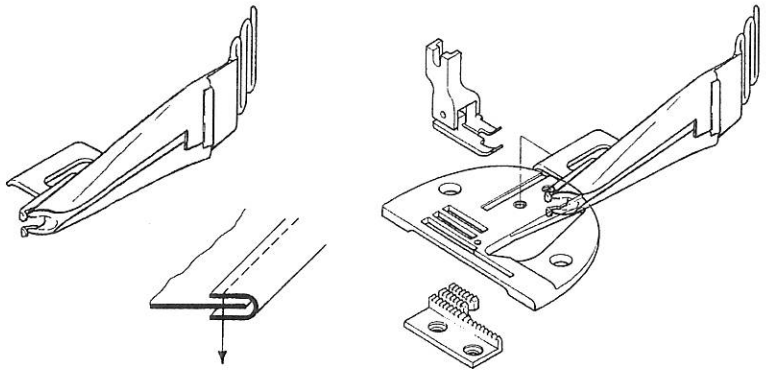
BA 8110	BA 8110 SET								
					mm.	inch	mm.	inch	
					19	3/4	5	3/16	M
					22	7/8	6	1/4	M
					25	1	7	9/32	M
					30	1-3/16	8	5/16	M
					35	1-3/8	9	3/8	M
					40	1-9/16	11	7/16	M




BA 8115	BA 8115 SET								
					mm.	inch	mm.	inch	
					19	3/4	5	3/16	M
					22	7/8	6	1/4	M
					25	1	7	9/32	M
					30	1-3/16	8	5/16	M
					35	1-3/8	9	3/8	M
					40	1-9/16	11	7/16	M

BA 8150	BA 8118 SET BA 8120 SET BA 8122 SET BA 8150 SET	DURKOPP 271 BROTHER 737 JUKI 5550 NORMAL LOCKSTITCH							
						mm.	inch	mm.	inch
					20	3/4	5	3/16	M
					22	7/8	6	1/4	M
					25	1	7	9/32	M
					28	1-1/8	8	5/16	M
					30	1-3/16	9	11/32	M
					32	1-1/4	10	3/8	M
					35	1-3/8	11	7/16	M
					40	1-9/16	12	15/32	M
					45	1-3/4	14	9/16	M

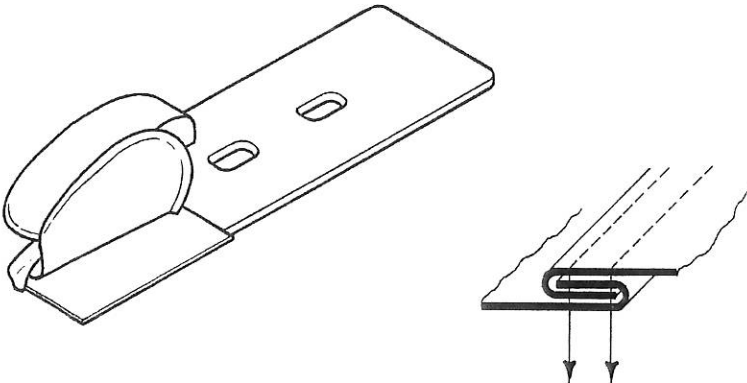
BA 8152


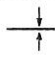
BA 8119 SET DURKOPP 271
 BA 8121 SET BROTHER 737
 BA 8123 SET JUKI 5550
 BA 8152 SET NORMAL LOCKSTITCH



				
mm.	inch	mm.	inch	
14	9/16	7	9/32	M
16	5/8	8	5/16	M
18	11/16	9	11/32	M
20	3/4	10	3/8	M
22	7/8	11	7/16	M
25	1	12,5	1/2	M

BA 8160



			
mm.	inch		
4,8	3/16	L	
4,8	3/16	M	
4,8	3/16	MH	
4,8	3/16	H	
6,4	1/4	L	
6,4	1/4	M	
6,4	1/4	MH	
6,4	1/4	H	

BASIC



BA 8170

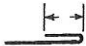

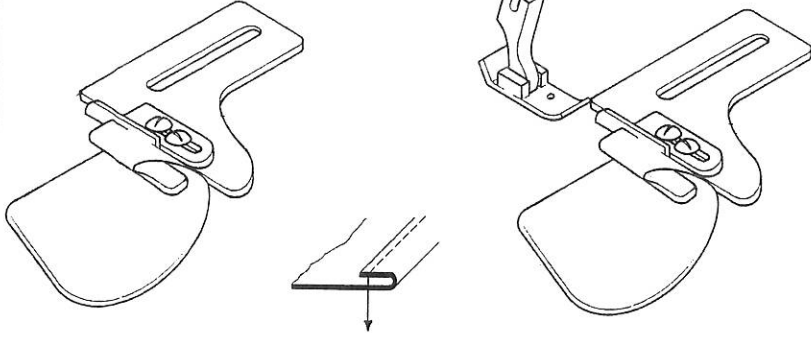
mm.	inch			
4,8	3/16		L	
4,8	3/16		M	
4,8	3/16		MH	
4,8	3/16		H	
6,4	1/4		L	
6,4	1/4		M	
6,4	1/4		MH	
6,4	1/4		H	

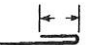
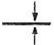
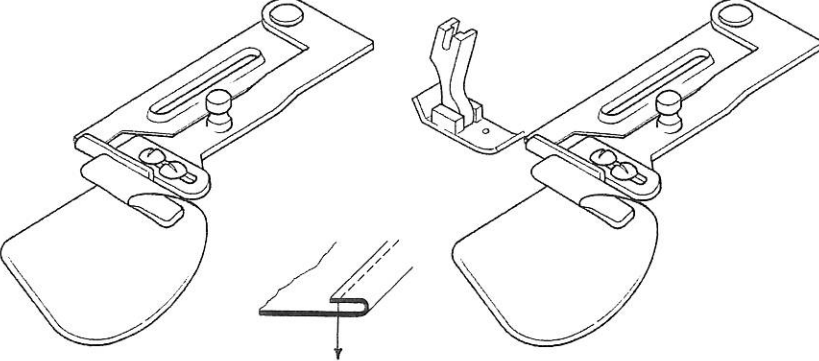
BA 8173

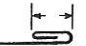

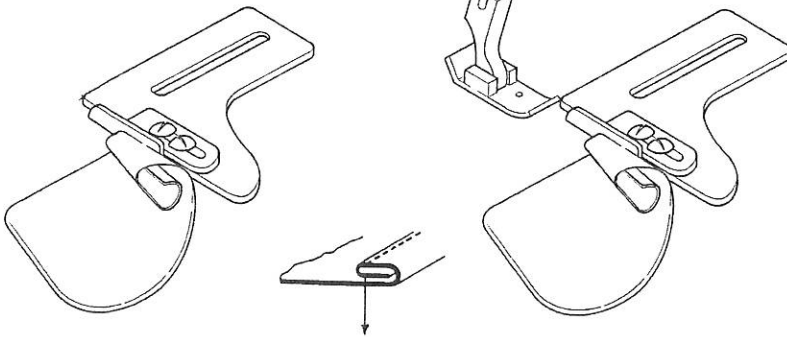
mm.	inch			
10	3/8		M	

BA 8190

mm.	inch			
4,8	3/16		L	
4,8	3/16		M	
4,8	3/16		MH	
4,8	3/16		H	
6,4	1/4		L	
6,4	1/4		M	
6,4	1/4		MH	
6,4	1/4		H	

BA 8200 A		BA 8200 A SET				
		mm.	inch			
		5	3/16	M		
		6	1/4	M		
		7	9/32	M		
		8	5/16	M		
		10	3/8	M		
		12	1/2	M		
		14	9/16	M		
		16	5/8	M		
		20	25/32	M		
25	1	M				


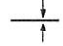
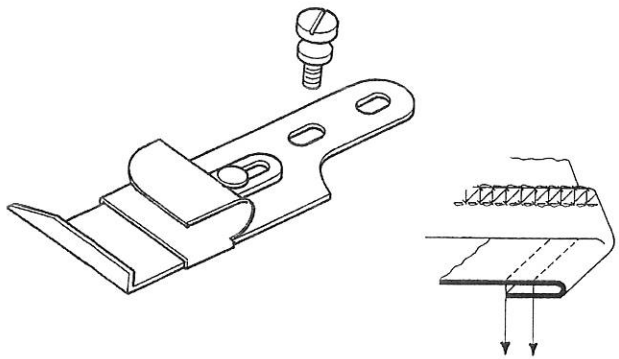
BA 8200 B		BA 8200 B SET				
		mm.	inch			
		5	3/16	M		
		6	1/4	M		
		7	9/32	M		
		8	5/16	M		
		10	3/8	M		
		12	1/2	M		
		14	9/16	M		
		16	5/8	M		
		20	25/32	M		
25	1	M				


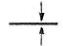
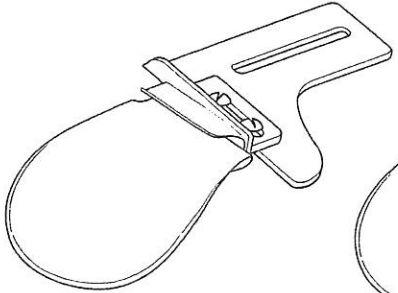
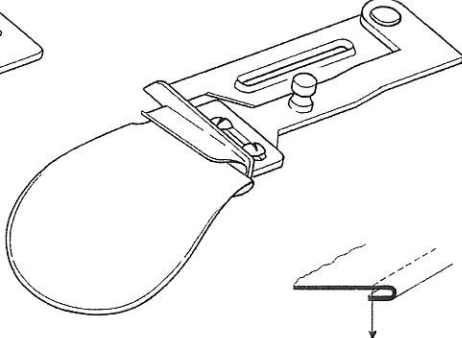
BA 8205 A		BA 8205 A SET				
		mm.	inch			
		4	5/32	M		
		5	3/16	M		
		6	1/4	M		
		8	5/16	M		
		10	3/8	M		
12	1/2	M				



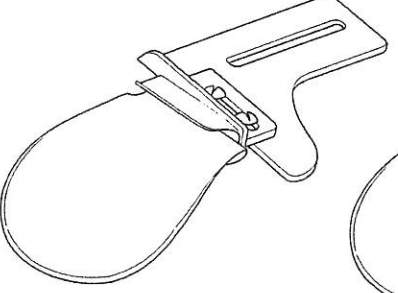
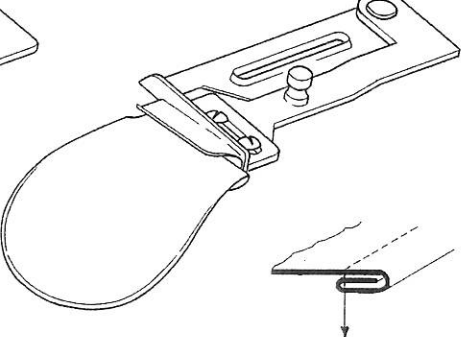
BASIC



BA 8205 B		BA 8205 B SET				
		mm.	inch			
		4	5/32	M		
		5	3/16	M		
		6	1/4	M		
		8	5/16	M		
		10	3/8	M		
		12	1/2	M		
BA 8206 A		BA 8206 A SET				
		mm.	inch			
		4	5/32	M		
		5	3/16	M		
		6	1/4	M		
		10	3/8	M		
BA 8206 B		BA 8206 B SET				
		mm.	inch			
		4	5/32	M		
		5	3/16	M		
		6	1/4	M		
		10	3/8	M		

BA 8209			
	mm. 10 ÷ 20 inch 3/8 ÷ 3/4	M	

BA 8212 A	BA 8212 B																											
		<table border="1"> <thead> <tr> <th>mm.</th> <th>inch</th> <th></th> </tr> </thead> <tbody> <tr><td>6</td><td>1/4</td><td>M</td></tr> <tr><td>8</td><td>5/16</td><td>M</td></tr> <tr><td>10</td><td>3/8</td><td>M</td></tr> <tr><td>12</td><td>1/2</td><td>M</td></tr> <tr><td>16</td><td>5/8</td><td>M</td></tr> <tr><td>20</td><td>25/32</td><td>M</td></tr> <tr><td>25</td><td>1</td><td>M</td></tr> </tbody> </table>	mm.	inch		6	1/4	M	8	5/16	M	10	3/8	M	12	1/2	M	16	5/8	M	20	25/32	M	25	1	M	M	
mm.	inch																											
6	1/4	M																										
8	5/16	M																										
10	3/8	M																										
12	1/2	M																										
16	5/8	M																										
20	25/32	M																										
25	1	M																										

BA 8215 A	BA 8215 B																		
		<table border="1"> <thead> <tr> <th>mm.</th> <th>inch</th> <th></th> </tr> </thead> <tbody> <tr><td>6</td><td>1/4</td><td>MH</td></tr> <tr><td>8</td><td>5/16</td><td>MH</td></tr> <tr><td>10</td><td>3/8</td><td>MH</td></tr> <tr><td>12</td><td>1/2</td><td>MH</td></tr> </tbody> </table>	mm.	inch		6	1/4	MH	8	5/16	MH	10	3/8	MH	12	1/2	MH	MH	
mm.	inch																		
6	1/4	MH																	
8	5/16	MH																	
10	3/8	MH																	
12	1/2	MH																	

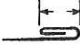
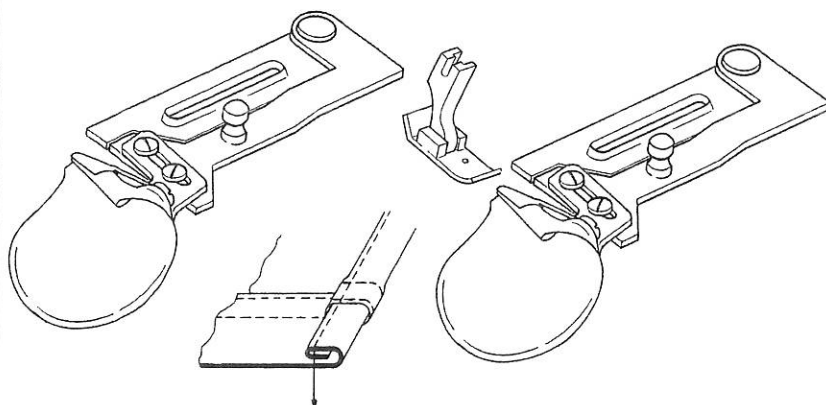
BASIC

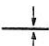
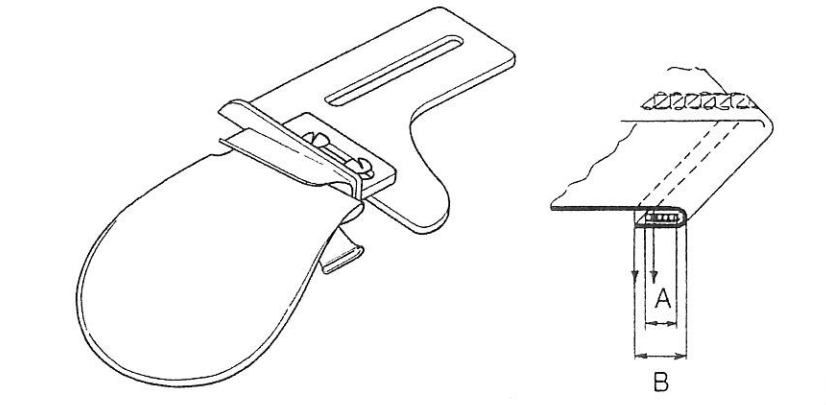


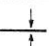
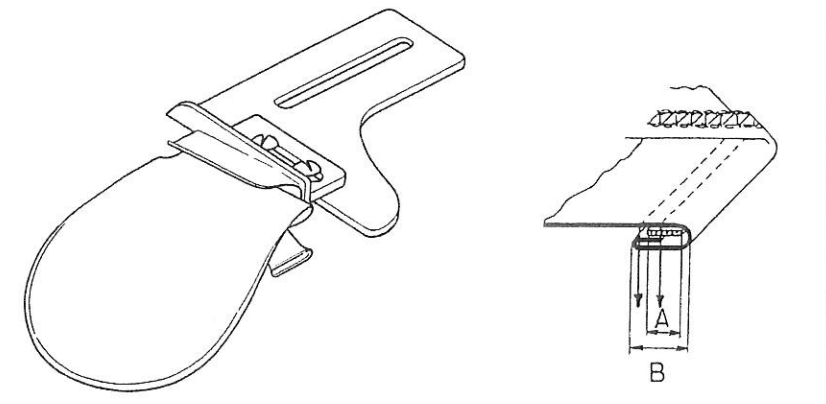
BA 8222 A	BA 8222 A SET			
			mm.	inch
		1,6	1/16	
		3,2	1/8	
		4,8	3/16	
		6,4	1/4	
		9,5	3/8	

BA 8222 B	BA 8222 B SET			
			mm.	inch
		1,6	1/16	
		3,2	1/8	
		4,8	3/16	
		6,4	1/4	
		9,5	3/8	

BA 8223 A	BA 8223 A SET			
			mm.	inch
		1,6	1/16	
		3,2	1/8	
		4,8	3/16	
		6,4	1/4	
		9,5	3/8	

BA 8223 B	BA 8223 B SET			
		mm.	inch	
		1,6	1/16	
		3,2	1/8	
		4,8	3/16	
		6,4	1/4	
		9,5	3/8	

BA 8243	A		B							
						mm.	inch	mm.	inch	
						6	1/4	8	5/16	M
						8	5/16	10	3/8	M
						10	3/8	12	15/32	M
						14	9/16	16	5/8	M
						18	11/16	20	3/4	M
						23	29/32	25	1	M

BA 8244	A		B							
						mm.	inch	mm.	inch	
						6	1/4	8	5/16	M
						10	3/8	12	15/32	M

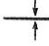
BASIC

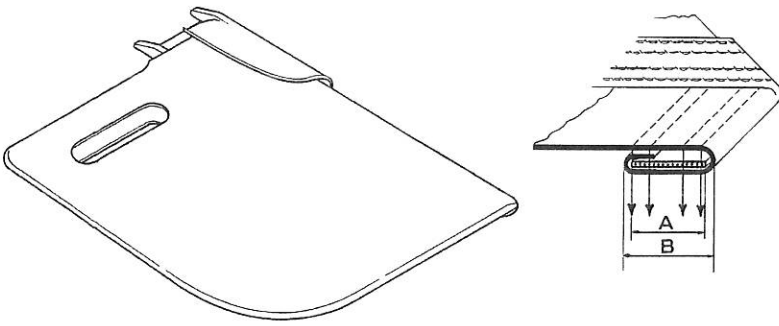



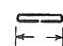

BA 8230 A	BA 8230 B			
		mm.	inch	
		15	19/32	M
		20	25/32	M
		25	1	M
		30	1-3/16	M

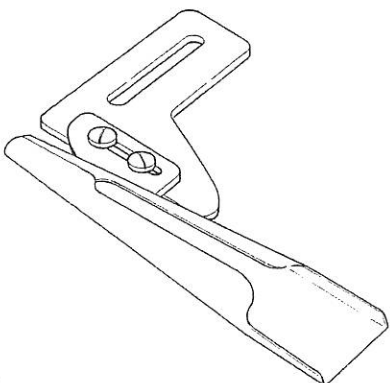
BA 8245	A		B		
	mm.	inch	mm.	inch	
	6	1/4	11	7/16	M
	12	15/32	16	5/8	M
	15	19/32	20	3/4	M
	20	3/4	25	1	M
	20	3/4	25	1	H



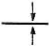
BA 8250	A		B		
	mm.	inch	mm.	inch	
	6	1/4	12	15/32	M
	8	5/16	14	9/16	M

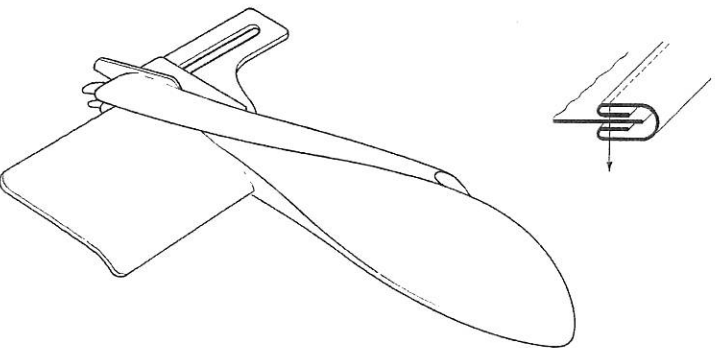
BA 8255		A		B		
mm.	inch	mm.	inch			
23	29/32	25	1	M		
28	1-3/32	30	1-3/16	M		
32	1-1/4	34	1-11/32	M		
34	1-11/32	36	1-13/32	M		



BA 8292				
mm.	inch	mm.	inch	
16	5/8	8	5/16	MH
20	25/32	10	25/64	MH
25	1	12,5	1/2	MH
30	1-3/16	15	19/32	MH



BA 8320				
mm.	inch	mm.	inch	
45	1-3/4	16	5/8	M
50	2	18	11/16	M
55	2-3/16	20	3/4	M
60	2-3/8	22	7/8	M
65	2-9/16	24	15/16	M
70	2-3/4	26	1-1/32	M
80	3-1/8	30	1-1/8	M
90	3-9/16	35	1-3/8	M
100	3-15/16	40	1-9/16	M



BASIC



<p>BA 8325 A BROTHER - YAMATO KANSAI - UNION SPECIAL</p>	<p>BA 8325 B RIMOLDI</p>	<p>BA8325 C SINGER</p>					
			mm.	inch	mm.	inch	
			85	3-3/8	30	1-3/16	M
			85	3-3/8	30	1-3/16	H
			95	3-3/4	36	1-7/16	L
			95	3-3/4	36	1-7/16	M
			95	3-3/4	36	1-7/16	H
			105	4-1/8	43	1-11/16	L
			105	4-1/8	43	1-11/16	M
			105	4-1/8	43	1-11/16	H

<p>BA 8330</p>				
mm.	inch	mm.	inch	
19	3/4	9,5	3/8	M
22	7/8	11	7/16	M
25	1	12,5	1/2	M
30	1-3/16	15	19/32	M

<p>BA 8331</p>				
mm.	inch	mm.	inch	
19	3/4	2	5/64	M

BA 8360	BA 8360 SET					
		mm.	inch	mm.	inch	
		19	3/4	9,5	3/8	M
		25	1	12,5	1/2	M
		30	1-3/16	15	19/32	M

BA 8361	BA 8361 SET					
		mm.	inch	mm.	inch	
		19	3/4	2	5/64	M

BA 8365	BA 8365 SET					
		mm.	inch			
		10	3,8			

BASIC



BA 8375


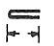

mm.	inch	mm.	inch	
18	23/32	9	11/32	M
20	25/32	10	25/64	M
22	7/8	11	7/16	M
26	1-1/32	13	1/2	M
30	1-3/16	15	19/32	M

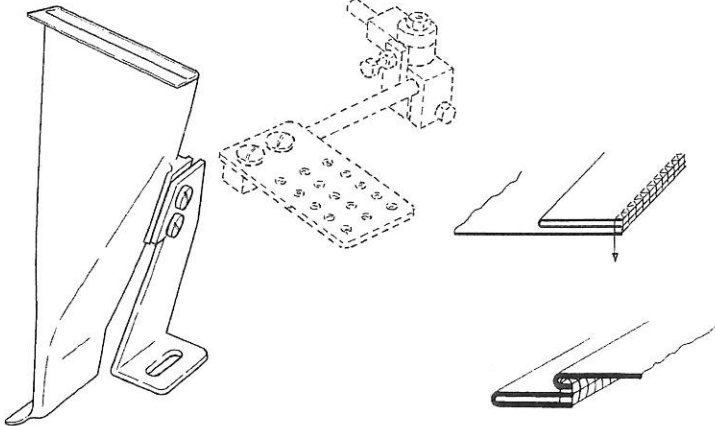
BA 8380 **BA 8380 SET**



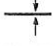
mm.	inch			
10	3/8			

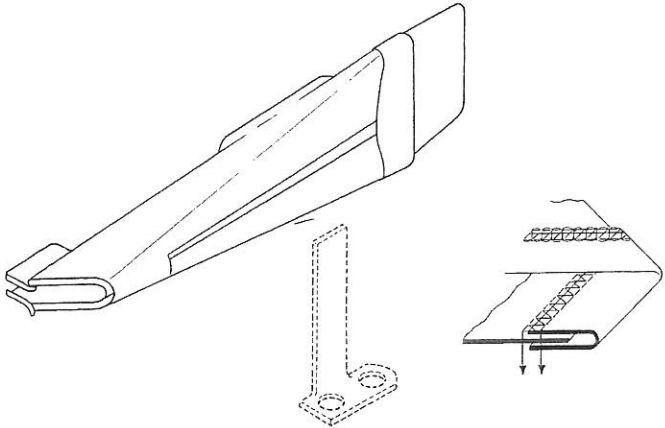
BA 8395 A




mm.	inch	mm.	inch	
20	3/4	10	3/8	M
30	1-3/16	15	19/32	M
40	1-9/16	20	13/16	M
50	2	25	1	M
56	2-3/16	28	1-1/8	M
64	2-1/2	32	1-1/4	M

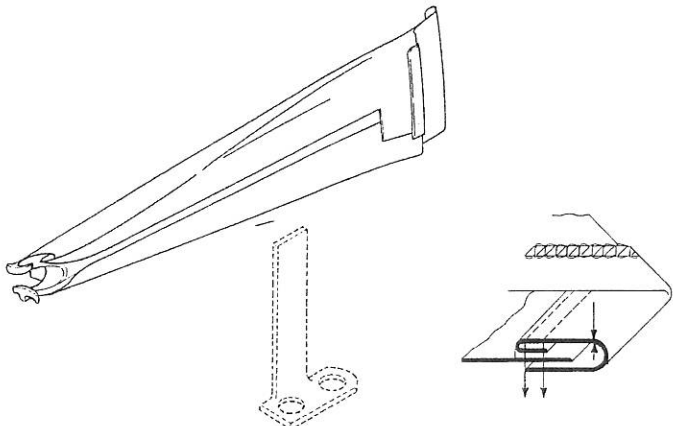
BA 8395 B				
mm.	inch	mm.	inch	
20	3/4	10	3/8	M
30	1-3/16	15	19/32	M
40	1-9/16	20	13/16	M
50	2	25	1	M
56	2-3/16	28	1-1/8	M
64	2-1/2	32	1-1/4	M



BA 8400				
mm.	inch	mm.	inch	
20	25/32	10	25/64	M
26	1	13	1/2	MH
32	1-1/4	16	5/8	MH
38	1-1/2	19	3/4	MH
44	1-3/4	22	7/8	MH
51	2	25,5	1	MH



BA 8405				
mm.	inch	mm.	inch	
27	1-1/16	10	25/64	M
32	1-1/4	12	15/32	M
38	1-1/2	16	5/8	M
45	1-3/4	19	3/4	M
51	2	22	7/8	M
57	2-1/4	26	1	M



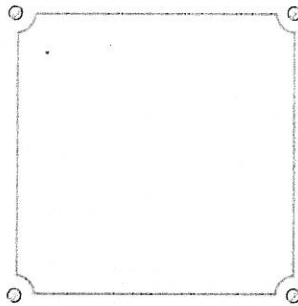
BASIC



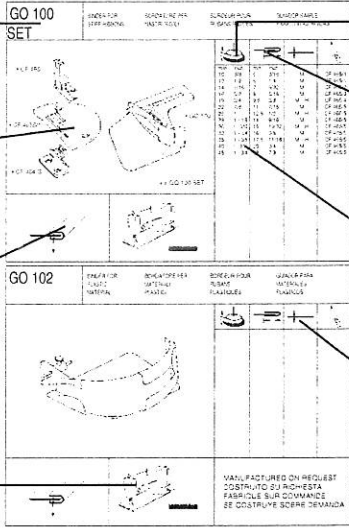





BA 8410						
		mm.	inch	mm.	inch	
		28	1-1/8	7	9/32	M
		32	1-1/4	8	5/16	M
		35	1-3/8	10	3/8	M
		38	1-1/2	12	15/32	M
		42	1-21/32	14	9/16	M
		46	1-13/16	16	5/8	M
		56	2-7/32	20	25/32	M

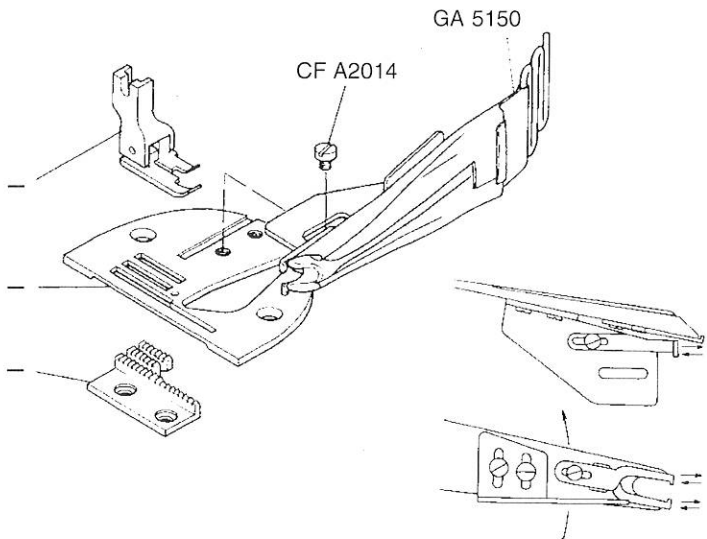
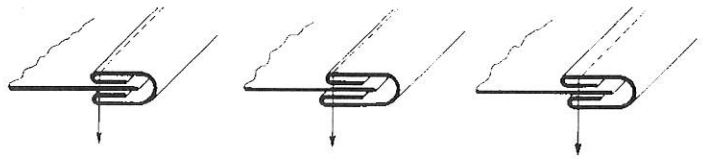
BA 8431		BA 8431/1				
		mm.	inch			
		10	25/64			
		15	19/32			
		20	25/32			
		30	1-3/16			

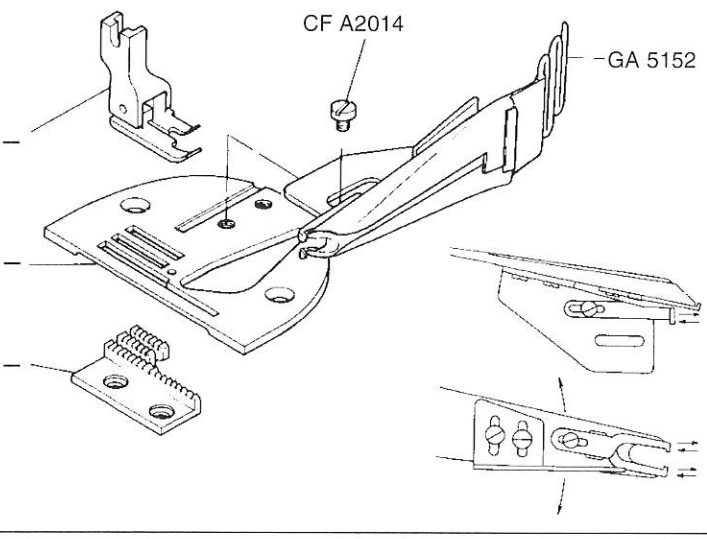
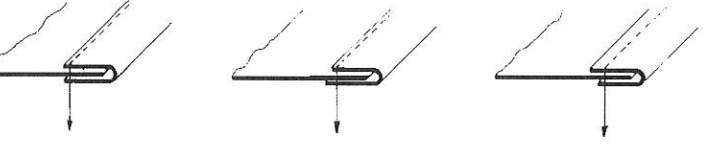
BA 8441		A			
		mm.	inch		
		7	9/32	L	
		7	9/32	M	
		10	3/8	L	
		10	3/8	M	
		13	1/2	L	
		13	1/2	M	



ATTACHMENTS & FOLDERS

DESCRIZIONE PAGINA TIPO	EXAMPLE OF PAGE	EXEMPLE DE PAGE	EJEMPLO DE PAGINA
<p>Numero di codice Code number when ordering Code de l'article Numero de codigo</p>			<p>Entrata Cut size Entrée Entrada</p>
<p>Disegno dell'articolo Part drawing Dessin de l'article Debujo de la pieza</p>			<p>Finito Finished size Fini Acabado</p>
<p>Disegno lavoro Operation obtained Travail accompli Trabajo obtenido</p>			<p>Misure guida Attachment sizes Mesures du guide Medidas de guia</p>
<p>Macchina consigliata Suggested machine Machine sugerée Maquina aconsejada</p>			<p>Spessore Thickness Epaisseur Grosor</p>
DESCRIZIONE SIMBOLI GRAFICI	SYMBOL DESCRIPTIONS	DESCRIPTION DES SYMBOLES	DESCRIPCION DE SIMBOLOS
	<p>trasporto griffa inferiore bottom feeding entraînement par griffe arrastre diente inferior</p>		<p>triplice trasporto walking foot machine entraînement unisson triple arrastre</p>
	<p>trasporto punta ago needle feeding entraînement par aiguille aguja acompañante</p>		<p>coltello centrale central knife couteau central cuchilla central</p>
	<p>trasporto griffa inferiore e superiore upper and bottom feeding entraînements supérieur et inférieur arrastre superior e inferior</p>		
NOTE	NOTES	NOTES	NOTAS
<p>Le simbologie che definiscono gli spessori relativi ai materiali sono le seguenti:</p> <p>L= Leggero M= Medio MH= Medio pesante H= Pesante XH= Extra pesante</p> <p>Le misure che indicano l'uscita delle guide sono indicative e possono variare a seconda dei materiali usati.</p>	<p>The following symbols are relating to the thickness of the material</p> <p>L= Light M= Medium MH= Medium heavy H= Heavy XH= Extra heavy</p> <p>The finished size of the attachment can change depending on the fabric used.</p>	<p>Les symboles suivantes se réfèrent aux épaisseurs des matériaux</p> <p>L= Leger M= Moyen MH= Moyen épais H= Epais XH= Très épais</p> <p>La mesure finie peut changer selon les épaisseurs des tissus.</p>	<p>Los simbolos que definen los grosos relativos a los materiales son los siguientes:</p> <p>L= Ligero M= Medio MH= Medio pesado H= Pesado XH= Extra pesado</p> <p>Las medidas que indican la salida de las guias son indicativas y pueden variar segun el material usado.</p>

GA 5150	DOUBLE BINDER WITH ADJUSTABLE POINTS	BORDATORE DOPPIO CON PUNTE REGOLABILI	BORDEUR DOUBLE AVEC POINTES REGLABLES	GUIADOR DOBLE CON PUNTAS REGULABLES																																																							
																																																											
																																																											
<table border="1" style="width:100%; border-collapse: collapse;"> <thead> <tr> <th colspan="2">mm</th> <th colspan="2">inch</th> <th></th> </tr> </thead> <tbody> <tr> <td>18</td><td>11/16</td><td>4,5</td><td>11/64</td><td>M</td> </tr> <tr> <td>20</td><td>3/4</td><td>5</td><td>3/16</td><td>M</td> </tr> <tr> <td>22</td><td>7/8</td><td>6</td><td>1/4</td><td>M</td> </tr> <tr> <td>25</td><td>1</td><td>7</td><td>9/32</td><td>M</td> </tr> <tr> <td>28</td><td>1-1/8</td><td>8</td><td>5/16</td><td>M</td> </tr> <tr> <td>30</td><td>1-3/16</td><td>9</td><td>11/32</td><td>M</td> </tr> <tr> <td>32</td><td>1-1/4</td><td>10</td><td>3/8</td><td>M</td> </tr> <tr> <td>35</td><td>1-3/8</td><td>11</td><td>7/16</td><td>M</td> </tr> <tr> <td>40</td><td>1-9/16</td><td>12</td><td>1/2</td><td>M</td> </tr> <tr> <td>45</td><td>1-3/4</td><td>14</td><td>9/16</td><td>M</td> </tr> </tbody> </table>					mm		inch			18	11/16	4,5	11/64	M	20	3/4	5	3/16	M	22	7/8	6	1/4	M	25	1	7	9/32	M	28	1-1/8	8	5/16	M	30	1-3/16	9	11/32	M	32	1-1/4	10	3/8	M	35	1-3/8	11	7/16	M	40	1-9/16	12	1/2	M	45	1-3/4	14	9/16	M
mm		inch																																																									
18	11/16	4,5	11/64	M																																																							
20	3/4	5	3/16	M																																																							
22	7/8	6	1/4	M																																																							
25	1	7	9/32	M																																																							
28	1-1/8	8	5/16	M																																																							
30	1-3/16	9	11/32	M																																																							
32	1-1/4	10	3/8	M																																																							
35	1-3/8	11	7/16	M																																																							
40	1-9/16	12	1/2	M																																																							
45	1-3/4	14	9/16	M																																																							
<p>GA 5103 SET = CF 7250 GA 5113 SET = BROTHER B856 GA 5116 SET = SINGER 457 - JUKI LZ 2280 GA 5118 SET = DURKOPP 271 GA 5120 SET = BROTHER 737, 755 GA 5122 SET = JUKI 5550, 9000 GA 5128 SET = PFAFF 463-900 GA 5133 SET = NECCHI 885 GA 5137 SET = DURKOPP 211 GA 5140 SET = PFAFF 438, 938 GA 5143 SET = DURKOPP 265 GA 5145 SET = PFAFF 138-238 GA 5147 SET = NECCHI 720 GA 5150 SET = NORMAL LOCKSTITCH GA 5155 SET = PFAFF 483</p>																																																											

GA 5152	RAW EDGE TAPE BINDER WITH ADJUSTABLE POINTS	BORDATORE SEMPLICE CON PUNTE REGOLABILI	BORDEUR SIMPLE AVEC POINTES REGLABLES	GUIADOR SIMPLE CON PUNTAS REGULABLES																				
																								
																								
<table border="1" style="width:100%; border-collapse: collapse;"> <thead> <tr> <th colspan="2">mm</th> <th colspan="2">inch</th> <th></th> </tr> </thead> <tbody> <tr> <td>12</td><td>1/2</td><td>6</td><td>1/4</td><td>M</td> </tr> <tr> <td>14</td><td>9/16</td><td>7</td><td>9/32</td><td>M</td> </tr> <tr> <td>16</td><td>5/8</td><td>8</td><td>5/16</td><td>M</td> </tr> </tbody> </table>					mm		inch			12	1/2	6	1/4	M	14	9/16	7	9/32	M	16	5/8	8	5/16	M
mm		inch																						
12	1/2	6	1/4	M																				
14	9/16	7	9/32	M																				
16	5/8	8	5/16	M																				
<p>GA 5104 SET = CF 7250 GA 5114 SET = BROTHER B856 GA 5117 SET = SINGER 457 - JUKI LZ 2280 GA 5119 SET = DURKOPP 271 GA 5121 SET = BROTHER 737, 755 GA 5123 SET = JUKI 5550, 9000 GA 5129 SET = PFAFF 463-900 GA 5134 SET = NECCHI 885 GA 5138 SET = DURKOPP 211 GA 5142 SET = PFAFF 438, 938 GA 5144 SET = DURKOPP 265 GA 5146 SET = PFAFF 138-238 GA 5148 SET = NECCHI 720 GA 5152 SET = NORMAL LOCKSTITCH GA 5156 SET = PFAFF 483</p>																								

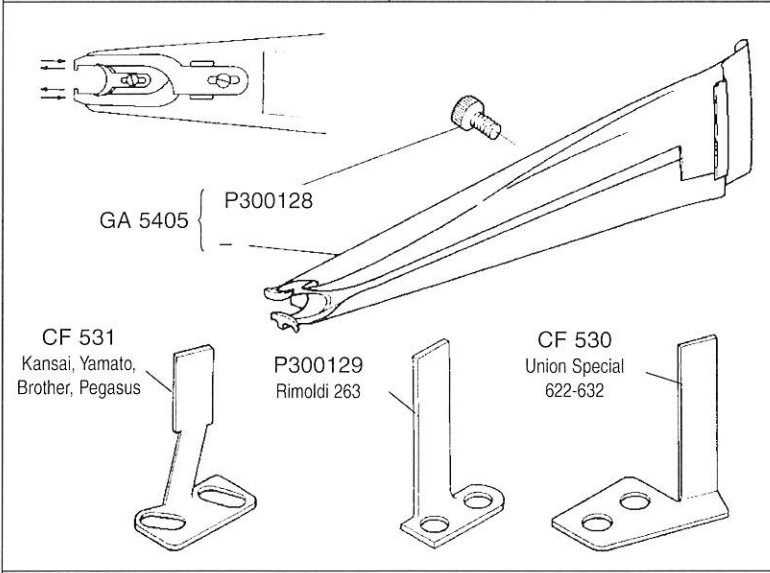
GA 5405 SET = GA 5405+P300129
 GA 5405/1 SET = GA 5405+CF 531
 GA 5405/2 SET = GA 5405+CF 530

SPLIT-TUBE
FOLDER

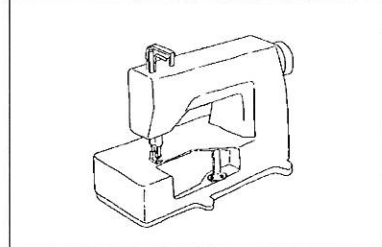
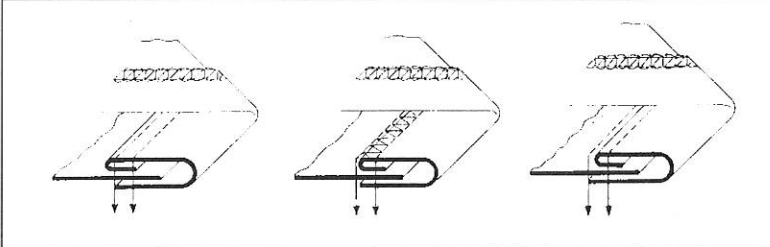
GUIDA PER
COLLARETTI

GUIDE
COLLERETTE

GUIDA PARA
COLLARINES



mm	inch	mm	inch	mm	inch
24	15/16	8	5/16	2	5/64
28	1-1/8	10	3/8	2	5/64
32	1-1/4	12	1/2	2	5/64
35	1-3/8	14	9/16	2	5/64
38	1-1/2	15	5/8	2	5/64
42	1-11/16	17	11/16	2	5/64
46	1-13/16	19	3/4	2	5/64
50	2	21	13/16	2	5/64
55	2-3/16	23	15/16	2	5/64
60	2-3/8	25	1	2	5/64



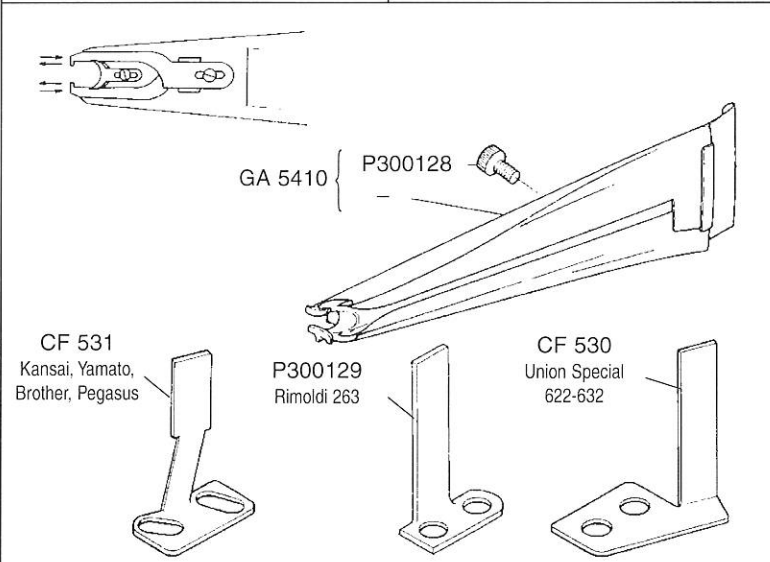
GA 5410 SET = GA 5410+P300129
 GA 5410/1 SET = GA 5410+CF 531
 GA 5410/2 SET = GA 5410+CF 530

SPLIT-TUBE
FOLDER

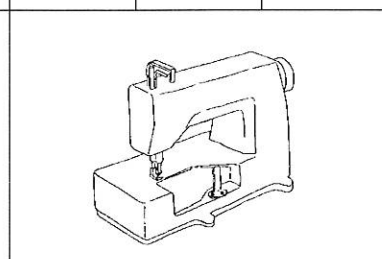
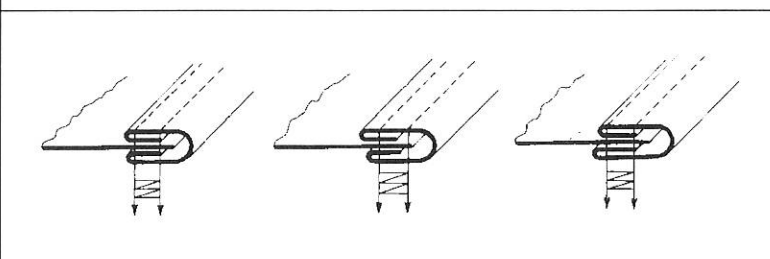
GUIDA PER
COLLARETTI

GUIDE
COLLERETTE

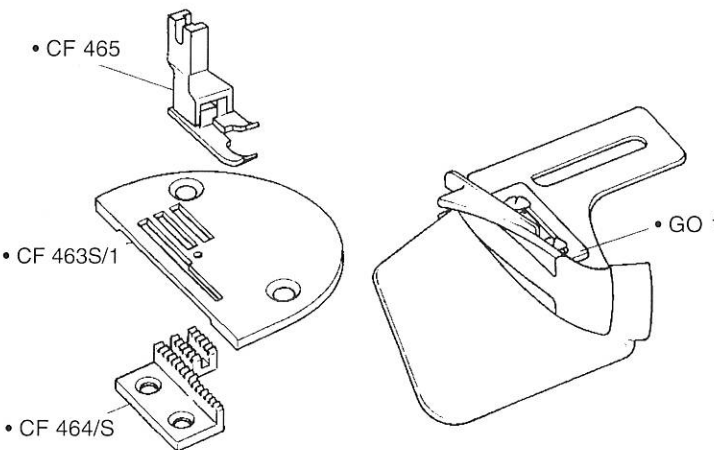
GUIDA PARA
COLLARINES



mm	inch	mm	inch	mm	inch
24	15/16	6	1/4	2	5/64
28	1-1/8	7	9/32	2	5/64
30	1-3/16	8	5/16	2	5/64
32	1-1/4	9	11/32	2	5/64
35	1-3/8	10	3/8	2	5/64
38	1-1/2	12	1/2	2	5/64
42	1-11/16	14	9/16	2	5/64
45	1-3/4	15	19/32	2	5/64
48	1-7/8	16	5/8	2	5/64
52	2-1/16	18	11/16	2	5/64
56	2-3/16	20	3/4	2	5/64
60	2-3/8	22	7/8	2	5/64
66	2-5/8	25	1	2	5/64

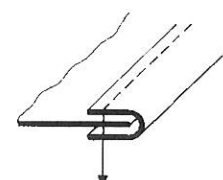


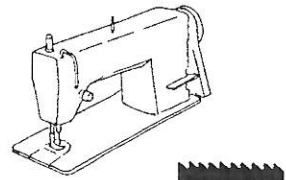
<h1>GO 100 SET</h1>	BINDER FOR STIFF RIBBONS	BORDATORE PER NASTRI RIGIDI	BORDEUR POUR RUBANS RIGIDES	GUIADOR SIMPLE PARA CINTAS RIGIDAS
---------------------	-----------------------------	--------------------------------	--------------------------------	---------------------------------------



• = GO 100 SET

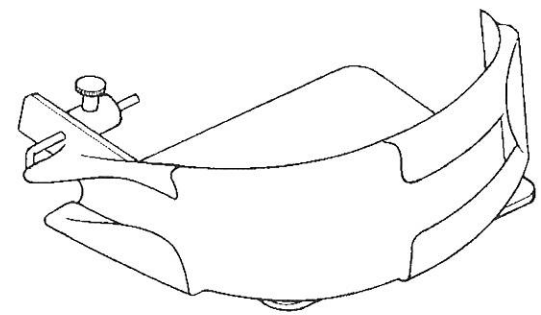
mm		inch			
10	3/8	5	3/16	M	CF 465/1
12	1/2	6	1/4	M	CF 465/1
14	9/16	7	9/32	M	CF 465/2
16	5/8	8	5/16	M	CF 465/3
19	3/4	9,5	3/8	M - H	CF 465/4
22	7/8	11	7/16	M	CF 465/5
25	1	12,5	1/2	M - H	CF 465/5
28	1 - 1/8	14	9/16	M	CF 465/5
30	1 - 3/16	15	19/32	M - H	CF 465/5
32	1 - 1/4	16	5/8	M	CF 465/5
35	1 - 3/8	17,5	11/16	M - H	CF 465/5
40	1 - 9/16	20	3/4	M	CF 465/5
45	1 - 3/4	22	7/8	M	CF 465/5





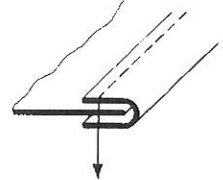
A RICHIESTA:
GUIDE FUORI MISURA
ON REQUEST:
ALL THE OTHER SIZES

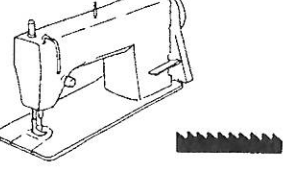
<h1>GO 102</h1>	BINDER FOR PLASTIC MATERIAL	BORDATORE PER MATERIALI PLASTICI	BORDEUR POUR RUBANS PLASTIQUES	GUIADOR PARA MATERIALES PLASTICOS
-----------------	-----------------------------------	--	--------------------------------------	---



• = GO 100 SET

mm		inch			





COSTRUITO SU RICHIESTA
MANUFACTURED ON REQUEST
FABRIQUE SUR COMMANDE
SE CONSTRUYE SOBRE DEMANDA

GO 103 SET	RIGHT ANGLE BINDER FOR CF 7250	BORDATORE PER MACCHINE CF 7250	BORDEUR DOUBLE REPLI POUR CF 7250	GUIADOR DOBLE PARA MAQUINAS CF 7250

mm		inch			
13	1/2	3,5	1/8	M	CF 465/0
16	5/8	4	5/32	M	CF 465/0
18	11/16	4,5	11/64	M	CF 465/0
20	3/4	5	3/16	M and H	CF 465/1
22	7/8	6	1/4	M and H	CF 465/1
25	1	7	9/32	M and H	CF 465/1
28	1 - 1/8	8	5/16	M and H	CF 465/2
30	1 - 3/16	9	11/32	M and H	CF 465/3
32	1 - 1/4	10	3/8	M and H	CF 465/3
35	1 - 3/8	11	7/16	M and H	CF 465/4
40	1 - 9/16	12	15/32	M and H	CF 465/5
45	1 - 3/4	14	9/16	M and H	CF 465/5
50	2	16	5/8	M	CF 465/5

**A RICHIESTA:
GUIDE FUORI MISURA
ON REQUEST:
ALL THE OTHER SIZES**

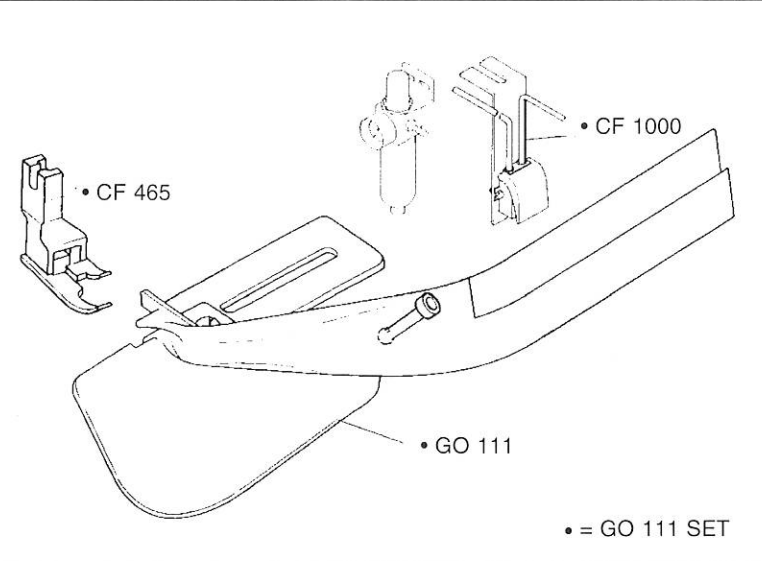
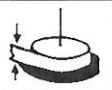

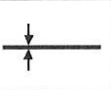

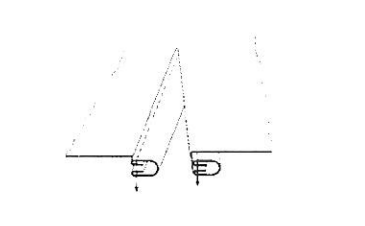
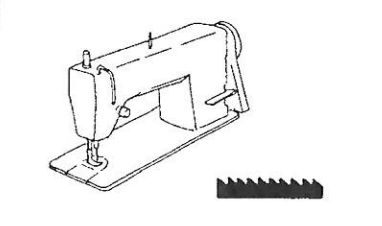
GO 104 SET	RAW EDGE TAPE BINDER FOR CF 7250	BORDATORE PER MACCHINE CF 7250	BORDEUR SIMPLE REPLI POUR CF 7250	GUIADOR SIMPLE PARA MAQUINAS CF 7250

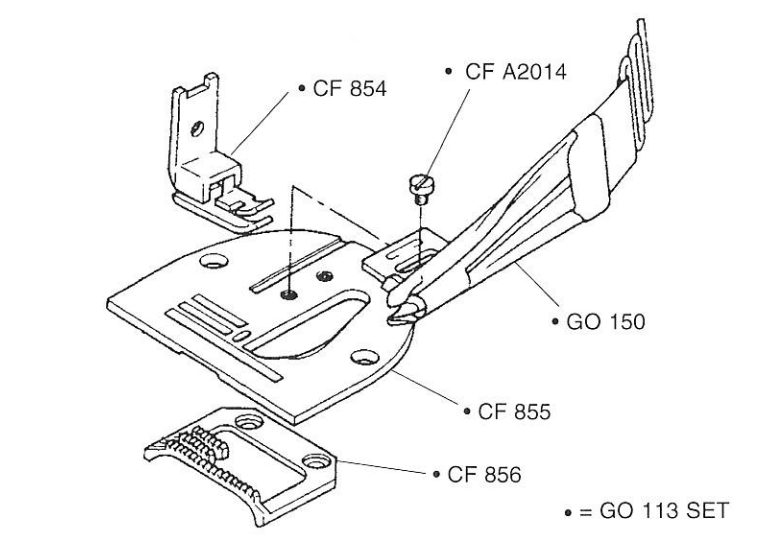
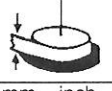
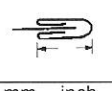
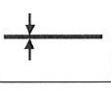

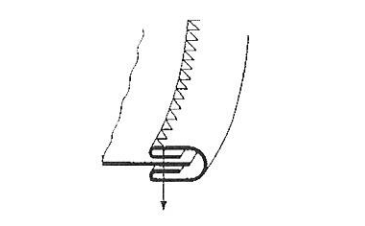
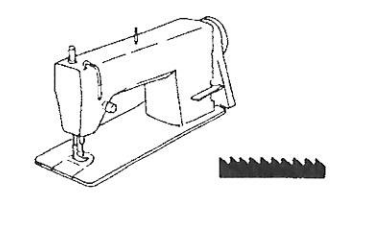
mm		inch			
10	3/8	5	3/16	M	CF 465/1
12	1/2	6	1/4	M	CF 465/1
14	9/16	7	9/32	M	CF 465/1
16	5/8	8	5/16	M	CF 465/2
18	11/16	9	11/32	M	CF 465/3
20	3/4	10	3/8	M - H	CF 465/3
22	7/8	11	7/16	M	CF 465/4
25	1	12,5	1/2	M - H	CF 465/5
28	1 - 1/8	14	9/16	M	CF 465/5
30	1 - 3/16	15	19/32	M - H	CF 465/5
35	1 - 3/8	17,5	11/16	M - H	CF 465/5

**A RICHIESTA:
GUIDE FUORI MISURA
ON REQUEST:
ALL THE OTHER SIZES**

GO 105 SET	BINDER	BORDATORE	BORDEUR	GUIADOR																																																																				
<p>• CF 465</p> <p>• CF 463 S/1</p> <p>• CF 464/S</p> <p>• GO105</p> <p>• = GO 105 SET</p>																																																																								
					<table border="1"> <thead> <tr> <th>mm</th> <th>inch</th> <th>mm</th> <th>inch</th> <th></th> <th></th> </tr> </thead> <tbody> <tr><td>10</td><td>3/8</td><td>5</td><td>3/16</td><td>L</td><td>CF 465/1</td></tr> <tr><td>12</td><td>1/2</td><td>6</td><td>1/4</td><td>L</td><td>CF 465/1</td></tr> <tr><td>14</td><td>9/16</td><td>7</td><td>9/32</td><td>L</td><td>CF 465/2</td></tr> <tr><td>16</td><td>5/8</td><td>8</td><td>5/16</td><td>L</td><td>CF 465/2</td></tr> <tr><td>18</td><td>11/16</td><td>9</td><td>11/32</td><td>L</td><td>CF 465/3</td></tr> <tr><td>20</td><td>3/4</td><td>10</td><td>3/8</td><td>L</td><td>CF 465/4</td></tr> <tr><td>22</td><td>7/8</td><td>11</td><td>7/16</td><td>L</td><td>CF 465/5</td></tr> <tr><td>25</td><td>1</td><td>12,5</td><td>1/2</td><td>L</td><td>CF 465/5</td></tr> <tr><td>28</td><td>1 - 1/8</td><td>14</td><td>9/16</td><td>L</td><td>CF 465/5</td></tr> <tr><td>30</td><td>1 - 3/16</td><td>15</td><td>19/32</td><td>L</td><td>CF 465/5</td></tr> <tr><td>32</td><td>1 - 1/4</td><td>16</td><td>5/8</td><td>L</td><td>CF 465/5</td></tr> </tbody> </table>	mm	inch	mm	inch			10	3/8	5	3/16	L	CF 465/1	12	1/2	6	1/4	L	CF 465/1	14	9/16	7	9/32	L	CF 465/2	16	5/8	8	5/16	L	CF 465/2	18	11/16	9	11/32	L	CF 465/3	20	3/4	10	3/8	L	CF 465/4	22	7/8	11	7/16	L	CF 465/5	25	1	12,5	1/2	L	CF 465/5	28	1 - 1/8	14	9/16	L	CF 465/5	30	1 - 3/16	15	19/32	L	CF 465/5	32
mm	inch	mm	inch																																																																					
10	3/8	5	3/16	L	CF 465/1																																																																			
12	1/2	6	1/4	L	CF 465/1																																																																			
14	9/16	7	9/32	L	CF 465/2																																																																			
16	5/8	8	5/16	L	CF 465/2																																																																			
18	11/16	9	11/32	L	CF 465/3																																																																			
20	3/4	10	3/8	L	CF 465/4																																																																			
22	7/8	11	7/16	L	CF 465/5																																																																			
25	1	12,5	1/2	L	CF 465/5																																																																			
28	1 - 1/8	14	9/16	L	CF 465/5																																																																			
30	1 - 3/16	15	19/32	L	CF 465/5																																																																			
32	1 - 1/4	16	5/8	L	CF 465/5																																																																			
		<p>A RICHIESTA: GUIDE FUORI MISURA ON REQUEST: ALL THE OTHER SIZES</p>																																																																						

GO 110 SET	BINDER	BORDATORE	BORDEUR	GUIADOR																																																														
<p>• CF 465</p> <p>• CF 463S/1</p> <p>• CF 464/S</p> <p>• GO 110</p> <p>• = GO 110 SET</p>																																																																		
					<table border="1"> <thead> <tr> <th>mm</th> <th>inch</th> <th>mm</th> <th>inch</th> <th></th> <th></th> </tr> </thead> <tbody> <tr><td>16</td><td>5/8</td><td>4</td><td>5/32</td><td>L</td><td>CF 465/1</td></tr> <tr><td>19</td><td>3/4</td><td>5</td><td>3/16</td><td>L</td><td>CF 465/1</td></tr> <tr><td>22</td><td>7/8</td><td>6</td><td>1/4</td><td>L</td><td>CF 465/1</td></tr> <tr><td>25</td><td>1</td><td>7</td><td>9/32</td><td>L</td><td>CF 465/2</td></tr> <tr><td>28</td><td>1 - 1/8</td><td>7,5</td><td>5/16</td><td>L</td><td>CF 465/2</td></tr> <tr><td>30</td><td>1 - 3/16</td><td>8</td><td>5/16</td><td>L - H</td><td>CF 465/3</td></tr> <tr><td>32</td><td>1 - 1/4</td><td>8,5</td><td>11/32</td><td>L</td><td>CF 465/3</td></tr> <tr><td>35</td><td>1 - 3/8</td><td>9</td><td>11/32</td><td>L - H</td><td>CF 465/4</td></tr> <tr><td>40</td><td>1 - 9/16</td><td>11</td><td>7/16</td><td>L - H</td><td>CF 465/5</td></tr> <tr><td>45</td><td>1 - 3/4</td><td>12</td><td>1/2</td><td>L - H</td><td>CF 465/5</td></tr> </tbody> </table>	mm	inch	mm	inch			16	5/8	4	5/32	L	CF 465/1	19	3/4	5	3/16	L	CF 465/1	22	7/8	6	1/4	L	CF 465/1	25	1	7	9/32	L	CF 465/2	28	1 - 1/8	7,5	5/16	L	CF 465/2	30	1 - 3/16	8	5/16	L - H	CF 465/3	32	1 - 1/4	8,5	11/32	L	CF 465/3	35	1 - 3/8	9	11/32	L - H	CF 465/4	40	1 - 9/16	11	7/16	L - H	CF 465/5	45
mm	inch	mm	inch																																																															
16	5/8	4	5/32	L	CF 465/1																																																													
19	3/4	5	3/16	L	CF 465/1																																																													
22	7/8	6	1/4	L	CF 465/1																																																													
25	1	7	9/32	L	CF 465/2																																																													
28	1 - 1/8	7,5	5/16	L	CF 465/2																																																													
30	1 - 3/16	8	5/16	L - H	CF 465/3																																																													
32	1 - 1/4	8,5	11/32	L	CF 465/3																																																													
35	1 - 3/8	9	11/32	L - H	CF 465/4																																																													
40	1 - 9/16	11	7/16	L - H	CF 465/5																																																													
45	1 - 3/4	12	1/2	L - H	CF 465/5																																																													
		<p>A RICHIESTA: GUIDE FUORI MISURA ON REQUEST: ALL THE OTHER SIZES</p>																																																																

<h2>GO 111 SET</h2>	BINDER WITH AIR JET FEED FOR SHORT STRIPS	BORDATORE CON INSERIMENTO AD ARIA PER LISTE A SPEZZONI	BORDEUR AVEC SYSTEME D' AIR COMPRIME POUR INSERTION DE BANDES PRE-COUPÉES	GUIADOR PARA TIRAS TROCEADAS CON PRENSATELAS Y DISPOSITIVO NEUMATICO																																	
 <p>• CF 465</p> <p>• GO 111</p> <p>• CF 1000</p> <p>• = GO 111 SET</p>		 <table border="1"> <thead> <tr> <th>mm</th> <th>inch</th> </tr> </thead> <tbody> <tr> <td>32</td> <td>1-1/4</td> </tr> <tr> <td>36</td> <td>1-3/8</td> </tr> <tr> <td>40</td> <td>1-9/16</td> </tr> </tbody> </table>	mm	inch	32	1-1/4	36	1-3/8	40	1-9/16	 <table border="1"> <thead> <tr> <th>mm</th> <th>inch</th> </tr> </thead> <tbody> <tr> <td>10</td> <td>3/8</td> </tr> <tr> <td>12</td> <td>15/32</td> </tr> <tr> <td>14</td> <td>9/16</td> </tr> </tbody> </table>	mm	inch	10	3/8	12	15/32	14	9/16	 <table border="1"> <thead> <tr> <th>mm</th> <th>inch</th> </tr> </thead> <tbody> <tr> <td>L</td> <td></td> </tr> <tr> <td>L</td> <td></td> </tr> <tr> <td>L</td> <td></td> </tr> </tbody> </table>	mm	inch	L		L		L		 <table border="1"> <thead> <tr> <th>mm</th> <th>inch</th> </tr> </thead> <tbody> <tr> <td></td> <td></td> </tr> <tr> <td></td> <td></td> </tr> <tr> <td></td> <td></td> </tr> </tbody> </table>	mm	inch						
mm	inch																																				
32	1-1/4																																				
36	1-3/8																																				
40	1-9/16																																				
mm	inch																																				
10	3/8																																				
12	15/32																																				
14	9/16																																				
mm	inch																																				
L																																					
L																																					
L																																					
mm	inch																																				
		<p>COSTRUITO SU RICHIESTA MANUFACTURED ON REQUEST FABRIQUE SUR COMMANDE SE CONSTRUYE SOBRE DEMANDA</p>																																			

<h2>GO 113 SET</h2>	RIGHT ANGLE BINDER FOR BROTHER B856	BORDATORE PER BROTHER B856	BORDEUR DOUBLE REMPLI POUR BROTHER B856	GUIADOR DOBLE PARA BROTHER B856																																																																																																													
 <p>• CF 854</p> <p>• CF A2014</p> <p>• GO 150</p> <p>• CF 855</p> <p>• CF 856</p> <p>• = GO 113 SET</p>		 <table border="1"> <thead> <tr> <th>mm</th> <th>inch</th> </tr> </thead> <tbody> <tr> <td>13</td> <td>1/2</td> </tr> <tr> <td>16</td> <td>5/8</td> </tr> <tr> <td>18</td> <td>11/16</td> </tr> <tr> <td>20</td> <td>3/4</td> </tr> <tr> <td>22</td> <td>7/8</td> </tr> <tr> <td>25</td> <td>1</td> </tr> <tr> <td>28</td> <td>1-1/8</td> </tr> <tr> <td>30</td> <td>1-3/16</td> </tr> <tr> <td>32</td> <td>1-1/4</td> </tr> <tr> <td>35</td> <td>1-3/8</td> </tr> <tr> <td>40</td> <td>1-9/16</td> </tr> <tr> <td>45</td> <td>1-3/4</td> </tr> <tr> <td>50</td> <td>2</td> </tr> </tbody> </table>	mm	inch	13	1/2	16	5/8	18	11/16	20	3/4	22	7/8	25	1	28	1-1/8	30	1-3/16	32	1-1/4	35	1-3/8	40	1-9/16	45	1-3/4	50	2	 <table border="1"> <thead> <tr> <th>mm</th> <th>inch</th> </tr> </thead> <tbody> <tr> <td>3,5</td> <td>1/8</td> </tr> <tr> <td>4</td> <td>5/32</td> </tr> <tr> <td>4,5</td> <td>11/64</td> </tr> <tr> <td>5</td> <td>3/16</td> </tr> <tr> <td>6</td> <td>1/4</td> </tr> <tr> <td>7</td> <td>9/32</td> </tr> <tr> <td>8</td> <td>5/16</td> </tr> <tr> <td>9</td> <td>11/32</td> </tr> <tr> <td>10</td> <td>3/8</td> </tr> <tr> <td>11</td> <td>7/16</td> </tr> <tr> <td>12</td> <td>15/32</td> </tr> <tr> <td>14</td> <td>9/16</td> </tr> <tr> <td>16</td> <td>5/8</td> </tr> </tbody> </table>	mm	inch	3,5	1/8	4	5/32	4,5	11/64	5	3/16	6	1/4	7	9/32	8	5/16	9	11/32	10	3/8	11	7/16	12	15/32	14	9/16	16	5/8	 <table border="1"> <thead> <tr> <th>mm</th> <th>inch</th> </tr> </thead> <tbody> <tr> <td>M</td> <td></td> </tr> <tr> <td>M</td> <td></td> </tr> <tr> <td>M</td> <td></td> </tr> <tr> <td>M and H</td> <td></td> </tr> <tr> <td>M and H</td> <td></td> </tr> <tr> <td>M and H</td> <td></td> </tr> <tr> <td>M and H</td> <td></td> </tr> <tr> <td>M and H</td> <td></td> </tr> <tr> <td>M and H</td> <td></td> </tr> <tr> <td>M and H</td> <td></td> </tr> <tr> <td>M and H</td> <td></td> </tr> <tr> <td>M</td> <td></td> </tr> </tbody> </table>	mm	inch	M		M		M		M and H		M and H		M and H		M and H		M and H		M and H		M and H		M and H		M		 <table border="1"> <thead> <tr> <th>mm</th> <th>inch</th> </tr> </thead> <tbody> <tr> <td></td> <td></td> </tr> <tr> <td></td> <td></td> </tr> <tr> <td></td> <td></td> </tr> <tr> <td></td> <td></td> </tr> <tr> <td></td> <td></td> </tr> <tr> <td></td> <td></td> </tr> <tr> <td></td> <td></td> </tr> <tr> <td></td> <td></td> </tr> <tr> <td></td> <td></td> </tr> <tr> <td></td> <td></td> </tr> <tr> <td></td> <td></td> </tr> <tr> <td></td> <td></td> </tr> </tbody> </table>	mm	inch																								
mm	inch																																																																																																																
13	1/2																																																																																																																
16	5/8																																																																																																																
18	11/16																																																																																																																
20	3/4																																																																																																																
22	7/8																																																																																																																
25	1																																																																																																																
28	1-1/8																																																																																																																
30	1-3/16																																																																																																																
32	1-1/4																																																																																																																
35	1-3/8																																																																																																																
40	1-9/16																																																																																																																
45	1-3/4																																																																																																																
50	2																																																																																																																
mm	inch																																																																																																																
3,5	1/8																																																																																																																
4	5/32																																																																																																																
4,5	11/64																																																																																																																
5	3/16																																																																																																																
6	1/4																																																																																																																
7	9/32																																																																																																																
8	5/16																																																																																																																
9	11/32																																																																																																																
10	3/8																																																																																																																
11	7/16																																																																																																																
12	15/32																																																																																																																
14	9/16																																																																																																																
16	5/8																																																																																																																
mm	inch																																																																																																																
M																																																																																																																	
M																																																																																																																	
M																																																																																																																	
M and H																																																																																																																	
M and H																																																																																																																	
M and H																																																																																																																	
M and H																																																																																																																	
M and H																																																																																																																	
M and H																																																																																																																	
M and H																																																																																																																	
M and H																																																																																																																	
M																																																																																																																	
mm	inch																																																																																																																
		<p>A RICHIESTA: GUIDE FUORI MISURA ON REQUEST: ALL THE OTHER SIZES</p>																																																																																																															

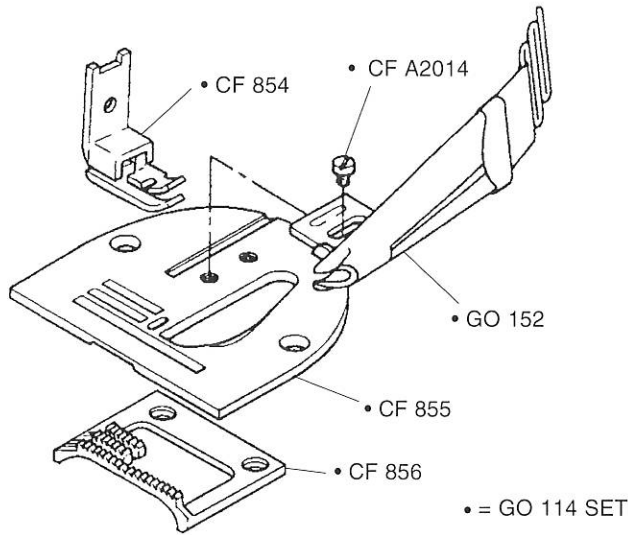
GO 114 SET

RAW EDGE TAPE
BINDER FOR
BROTHER B856

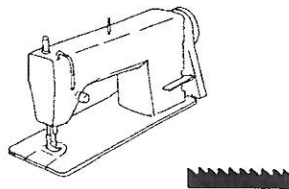
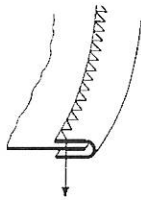
BORDATORE PER
BROTHER B856

BORDEUR SIMPLE
REMPLI POUR
BROTHER B856

GUIADOR SIMPLE
PARA BROTHER B856



mm		inch			
10	3/8	5	3/16	M	CF 854/1
12	1/2	6	1/4	M	CF 854/1
14	9/16	7	9/32	M	CF 854/1
16	5/8	8	5/16	M	CF 854/1
18	11/16	9	11/32	M	CF 854/1
20	3/4	10	3/8	M - H	CF 854/2
22	7/8	11	7/16	M	CF 854/2
25	1	12,5	1/2	M - H	CF 854/2
28	1-1/8	14	9/16	M	CF 854/2
30	1-3/16	15	19/32	M - H	CF 854/2
35	1-3/8	17,5	11/16	M - H	CF 854/2



**A RICHIESTA:
GUIDE FUORI MISURA
ON REQUEST:
ALL THE OTHER SIZES**

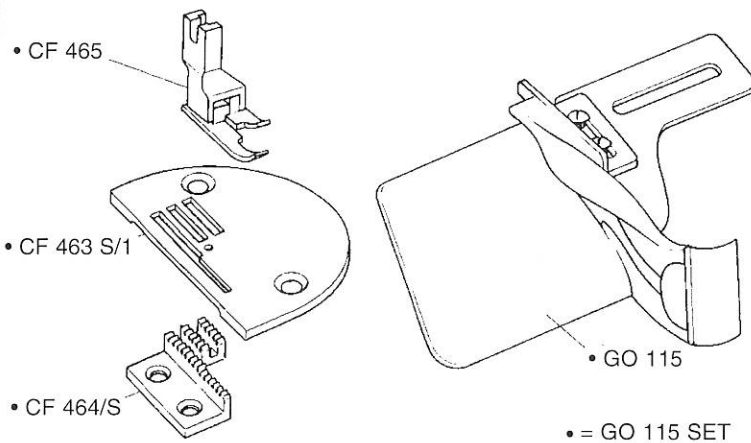
GO 115 SET

BINDER FOR
STIFF RIBBONS

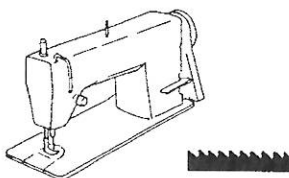
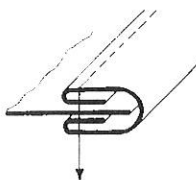
BORDATORE PER
NASTRI RIGIDI

BORDEUR POUR
RUBANS RIGIDES

GUIADOR SIMPLE
PARA CINTAS RIGIDAS



mm		inch			
19	3/4	5	3/16	M	CF 465/1
22	7/8	6	1/4	M	CF 465/1
25	1	7	9/32	M	CF 465/2
30	1-3/26	8	5/16	M	CF 465/3
35	1-3/8	9	11/32	M	CF 465/4
40	1-9/16	11	7/16	M	CF 465/5



**A RICHIESTA:
GUIDE FUORI MISURA
ON REQUEST:
ALL THE OTHER SIZES**

GO 116 SET	RIGHT ANGLE BINDER FOR SINGER 457 JUKI LZ 2280	BORDATORE PER SINGER 457 JUKI LZ 2280	BORDEUR DOUBLE REPLI POUR SINGER 457 JUKI LZ 2280	GUIADOR DOBLE PARA SINGER 457 JUKI LZ 2280
-------------------	---	---	--	--

• = GO 116 SET

mm		inch		M	CF 456/1
13	1/2	3,5	1/8		
16	5/8	4	5/32	M	CF 456/1
18	11/16	4,5	11/64	M	CF 456/1
20	3/4	5	3/16	M and H	CF 456/1
22	7/8	6	1/4	M and H	CF 456/1
25	1	7	9/32	M and H	CF 456/1
28	1-1/8	8	5/16	M and H	CF 456/1
30	1-3/16	9	11/32	M and H	CF 456/1
32	1-1/4	10	3/8	M and H	CF 456/2
35	1-3/8	11	7/16	M and H	CF 456/2
40	1-9/16	12	15/32	M and H	CF 456/2
45	1-3/4	14	9/16	M and H	CF 456/2
50	2	16	5/8	M	CF 456/2

**A RICHIESTA:
GUIDE FUORI MISURA
ON REQUEST:
ALL THE OTHER SIZES**

GO 117 SET	RIGHT ANGLE BINDER FOR SINGER 457 JUKI LZ 2280	BORDATORE PER SINGER 457 JUKI LZ 2280	BORDEUR DOUBLE REPLI POUR SINGER 457 JUKI LZ 2280	GUIADOR DOBLE PARA SINGER 457 JUKI LZ 2280
-------------------	---	---	--	--

• = GO 117 SET

mm		inch		M	CF 456/1
10	3/8	5	3/16		
12	1/2	6	1/4	M	CF 456/1
14	9/16	7	9/32	M	CF 456/1
16	5/8	8	5/16	M	CF 456/1
18	11/16	9	11/32	M	CF 456/1
20	3/4	10	3/8	M - H	CF 456/2
22	7/8	11	7/16	M	CF 456/2
25	1	12,5	1/2	M - H	CF 456/2
28	1-1/8	14	9/16	M	CF 456/2
30	1-3/16	15	19/32	M - H	CF 456/2
35	1-3/8	17,5	11/16	M - H	CF 456/2

**A RICHIESTA:
GUIDE FUORI MISURA
ON REQUEST:
ALL THE OTHER SIZES**

GO 118 SET	RIGHT ANGLE BINDER FOR DURKOPP 271	BORDATORE PER DURKOPP 271 RASAFILO	BORDEUR DOUBLE REMPLE POUR DURKOPP 271 COUPE-FIL	GUIADOR DOBLE PARA DURKOPP 271
-------------------	--	--	---	--------------------------------------

• = GO 118 SET

mm	inch	mm	inch		
13	1/2	3,5	1/8	M	CF 465/0
16	5/8	4	5/32	M	CF 465/0
18	11/16	4,5	11/64	M	CF 465/0
20	3/4	5	3/16	M and H	CF 465/1
22	7/8	6	1/4	M and H	CF 465/1
25	1	7	9/32	M and H	CF 465/1
28	1 - 1/8	8	5/16	M and H	CF 465/2
30	1 - 3/16	9	11/32	M and H	CF 465/3
32	1 - 1/4	10	3/8	M and H	CF 465/3
35	1 - 3/8	11	7/16	M and H	CF 465/4
40	1 - 9/16	12	15/32	M and H	CF 465/5
45	1 - 3/4	14	9/16	M and H	CF 465/5
50	2	16	5/8	M	CF 465/5

**A RICHIESTA:
GUIDE FUORI MISURA
ON REQUEST:
ALL THE OTHER SIZES**

GO 119 SET	RAW EDGE TAPE BINDER FOR DURKOPP 271	BORDATORE PER DURKOPP 271 RASAFILO	BORDEUR SIMPLE REMPLE POUR DURKOPP 271 COUPE-FIL	GUIADOR SIMPLE PARA DURKOPP 271
-------------------	--	--	---	---------------------------------------

• = GO 119 SET

mm	inch	mm	inch		
10	3/8	5	3/16	M	CF 465/1
12	1/2	6	1/4	M	CF 465/1
14	9/16	7	9/32	M	CF 465/1
16	5/8	8	5/16	M	CF 465/2
18	11/16	9	11/32	M	CF 465/3
20	3/4	10	3/8	M - H	CF 465/3
22	7/8	11	7/16	M	CF 465/4
25	1	12,5	1/2	M - H	CF 465/5
28	1 - 1/8	14	9/16	M	CF 465/5
30	1 - 3/16	15	19/32	M - H	CF 465/5
35	1 - 3/8	17,5	11/16	M - H	CF 465/5

**A RICHIESTA:
GUIDE FUORI MISURA
ON REQUEST:
ALL THE OTHER SIZES**

GO 120 SET	RIGHT ANGLE	BORDATORE PER	BORDEUR DOUBLE	GUIADOR DOBLE
	BINDER FOR BROTHER 737, 755, 7100, 7200	BROTHER 737, 755 RASAFILO	REMPII POUR BROTHER 737, 755 COUPE-FIL	PARA BROTHER 737, 755

• = GO 120 SET

mm	inch	mm	inch		
13	1/2	3,5	1/8	M	CF 465/0
16	5/8	4	5/32	M	CF 465/0
18	11/16	4,5	11/64	M	CF 465/0
20	3/4	5	3/16	M and H	CF 465/1
22	7/8	6	1/4	M and H	CF 465/1
25	1	7	9/32	M and H	CF 465/1
28	1 - 1/8	8	5/16	M and H	CF 465/2
30	1 - 3/16	9	11/32	M and H	CF 465/3
32	1 - 1/4	10	3/8	M and H	CF 465/3
35	1 - 3/8	11	7/16	M and H	CF 465/4
40	1 - 9/16	12	15/32	M and H	CF 465/5
45	1 - 3/4	14	9/16	M and H	CF 465/5
50	2	16	5/8	M	CF 465/5

**A RICHIESTA:
GUIDE FUORI MISURA
ON REQUEST:
ALL THE OTHER SIZES**

GO 121 SET	RAW EDGE TAPE	BORDATORE PER	BORDEUR SIMPLE	GUIADOR SIMPLE
	BINDER FOR BROTHER 737, 755 7100, 7200	BROTHER 737, 755 RASAFILO	REMPII POUR BROTHER 737, 755 COUPE-FIL	PARA BROTHER 737, 755

• = GO 121 SET

mm	inch	mm	inch		
10	3/8	5	3/16	M	CF 465/1
12	1/2	6	1/4	M	CF 465/1
14	9/16	7	9/32	M	CF 465/1
16	5/8	8	5/16	M	CF 465/2
18	11/16	9	11/32	M	CF 465/3
20	3/4	10	3/8	M - H	CF 465/3
22	7/8	11	7/16	M	CF 465/4
25	1	12,5	1/2	M - H	CF 465/5
28	1 - 1/8	14	9/16	M	CF 465/5
30	1 - 3/16	15	19/32	M - H	CF 465/5
35	1 - 3/8	17,5	11/16	M - H	CF 465/5

**A RICHIESTA:
GUIDE FUORI MISURA
ON REQUEST:
ALL THE OTHER SIZES**

GO 122 SET	RIGHT ANGLE BINDER FOR JUKI 5550 AND 9000	BORDATORE PER JUKI 5550 E 9000 RASAFILO	BORDEUR DOUBLE REPLI POUR JUKI 5550 ET 9000 COUPE-FIL	GUIADOR DOBLE PARA JUKI 5550 Y 9000

• CF 465

• CF 463/S

• CF 555

• CF A2014

• GO 150

• = GO 122 SET

mm		inch			
13	1/2	3,5	1/8	M	CF 465/0
16	5/8	4	5/32	M	CF 465/0
18	11/16	4,5	11/64	M	CF 465/0
20	3/4	5	3/16	M and H	CF 465/1
22	7/8	6	1/4	M and H	CF 465/1
25	1	7	9/32	M and H	CF 465/1
28	1 - 1/8	8	5/16	M and H	CF 465/2
30	1 - 3/16	9	11/32	M and H	CF 465/3
32	1 - 1/4	10	3/8	M and H	CF 465/3
35	1 - 3/8	11	7/16	M and H	CF 465/4
40	1 - 9/16	12	15/32	M and H	CF 465/5
45	1 - 3/4	14	9/16	M and H	CF 465/5
50	2	16	5/8	M	CF 465/5

**A RICHIESTA:
GUIDE FUORI MISURA
ON REQUEST:
ALL THE OTHER SIZES**

GO 123 SET	RAW EDGE TAPE BINDER FOR JUKI 5550 AND 9000	BORDATORE PER JUKI 5550 E 9000 RASAFILO	BORDEUR DOUBLE REPLI POUR JUKI 5550 ET 9000 COUPE-FIL	GUIADOR SIMPLE PARA JUKI 5550 Y 9000

• CF 465

• CF 463/S

• CF 555

• CF A2014

• GO 152

• = GO 123 SET

mm		inch			
10	3/8	5	3/16	M	CF 465/1
12	1/2	6	1/4	M	CF 465/1
14	9/16	7	9/32	M	CF 465/1
16	5/8	8	5/16	M	CF 465/2
18	11/16	9	11/32	M	CF 465/3
20	3/4	10	3/8	M - H	CF 465/3
22	7/8	11	7/16	M	CF 465/4
25	1	12,5	1/2	M - H	CF 465/5
28	1 - 1/8	14	9/16	M	CF 465/5
30	1 - 3/16	15	19/32	M - H	CF 465/5
35	1 - 3/8	17,5	11/16	M - H	CF 465/5

**A RICHIESTA:
GUIDE FUORI MISURA
ON REQUEST:
ALL THE OTHER SIZES**

GO 124 SET	RIGHT ANGLE BINDER FOR BERNINA 217	BORDATORE PER BERNINA 217 RASAFILO	BORDEUR DOUBLE REMPLE POUR BERNINA 217 COUPE-FIL	GUIADOR DOBLE PARA BERNINA 217
-------------------	--	--	---	--------------------------------------

mm		inch		M	CF 435
mm	inch	mm	inch		
13	1/2	3,5	1/8	M	CF 435
16	5/8	4	5/32	M	CF 435
18	11/16	4,5	11/64	M	CF 435
20	3/4	5	3/16	M	CF 435
22	7/8	6	1/4	M	CF 435
25	1	7	9/32	M	CF 435
28	1 - 1/8	8	5/16	M	CF 435
30	1 - 3/16	9	11/32	M	CF 435

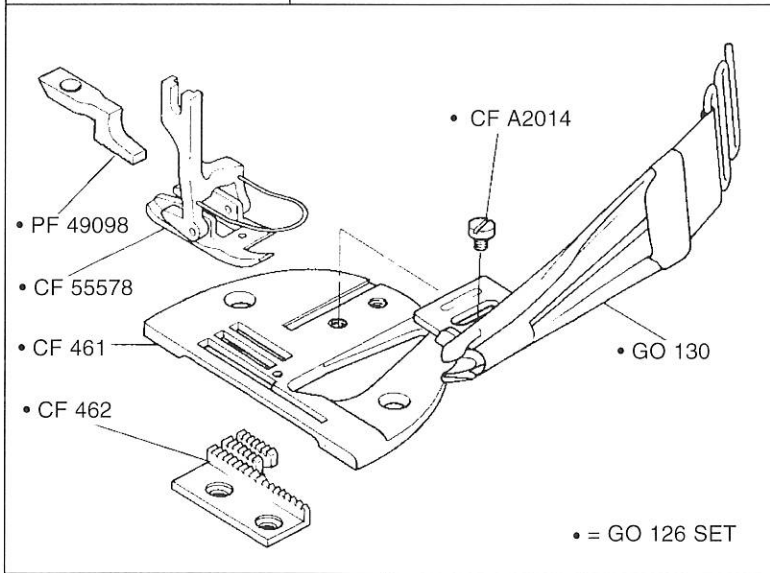
**A RICHIESTA:
GUIDE FUORI MISURA
ON REQUEST:
ALL THE OTHER SIZES**

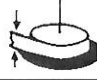

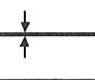

GO 125 SET	RAW EDGE TAPE BINDER FOR BERNINA 217	BORDATORE PER BERNINA 217 RASAFILO	BORDEUR DOUBLE REMPLE POUR BERNINA 217 COUPE-FIL	GUIADOR SIMPLE PARA BERNINA 217
-------------------	--	--	---	---------------------------------------

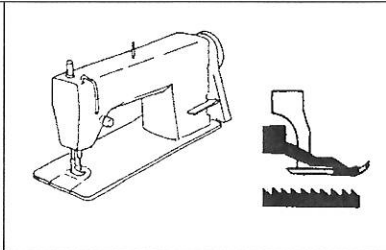
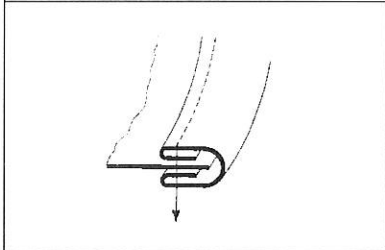
mm		inch		M	CF 435
mm	inch	mm	inch		
12	1/2	6	1/4	M	CF 435
14	9/16	7	9/32	M	CF 435
16	5/8	8	5/16	M	CF 435
18	11/16	9	11/32	M	CF 435
20	3/4	10	3/8	M	CF 435

**A RICHIESTA:
GUIDE FUORI MISURA
ON REQUEST:
ALL THE OTHER SIZES**

GO 126 SET	RIGHT ANGLE BINDER FOR PFAFF 467 AND RIMOLDI 140	BORDATORE PER PFAFF 467 E RIMOLDI 140	BORDEUR DOUBLE REMPLE POUR PFAFF 467 E RIMOLDI 140	GUIADOR DOBLE PARA PFAFF 467 Y RIMOLDI 140
-------------------	---	---	---	--

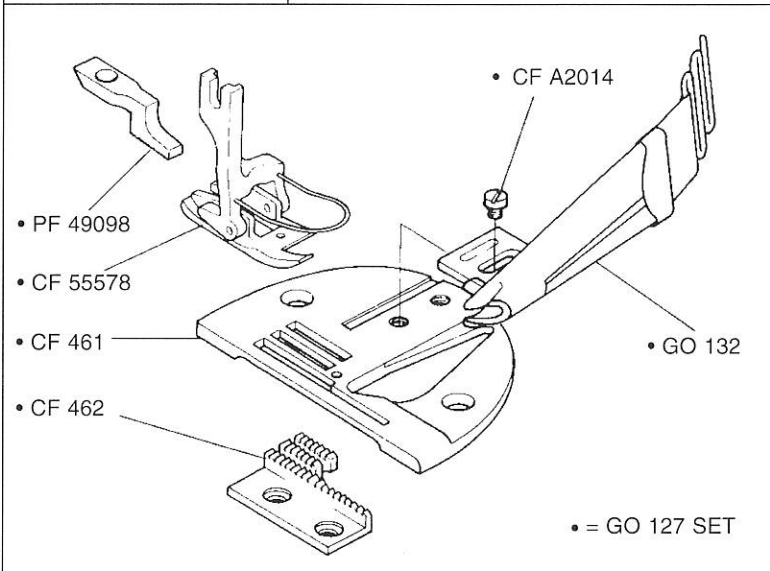


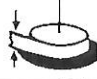

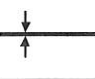

					
mm	inch	mm	inch	M	CF 55578/1
19	3/4	5	3/16	M	CF 55578/1
22	7/8	6	1/4	M	CF 55578/2
25	1	7	9/32	M	CF 55578/2
30	1 - 3/16	9	11/32	M	CF 55578/3
32	1 - 1/4	10	3/8	M	CF 55578/3
35	1 - 3/8	11	7/16	M	CF 55578/4
40	1 - 9/16	12	1/2	M	CF 55578/5
45	1 - 3/4	14	9/16	M	CF 55578/5

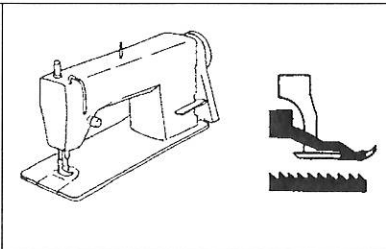
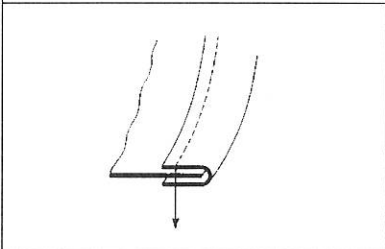


**A RICHIESTA:
GUIDE FUORI MISURA
ON REQUEST:
ALL THE OTHER SIZES**

GO 127 SET	RAW EDGE TAPE BINDER FOR PFAFF 467 AND RIMOLDI 140	BORDATORE PER PFAFF 467 E RIMOLDI 140	BORDEUR DOUBLE REMPLE POUR PFAFF 467 ET RIMOLDI 140	GUIADOR SIMPLE PARA PFAFF 467 Y RIMOLDI 140
-------------------	---	---	--	---



					
mm	inch	mm	inch	M	CF 55578/2
14	9/16	7	9/32	M	CF 55578/2
16	5/8	8	5/16	M	CF 55578/2
18	11/16	9	11/32	M	CF 55578/3
20	3/4	10	3/8	M	CF 55578/3
22	7/8	11	7/16	M	CF 55578/4
25	1	12,5	1/2	M	CF 55578/5



**A RICHIESTA:
GUIDE FUORI MISURA
ON REQUEST:
ALL THE OTHER SIZES**

GO 128 SET	RIGHT ANGLE BINDER FOR PFAFF 463-900	BORDATORE PER PFAFF 463-900	BORDEUR DOUBLE REPLI POUR PFAFF 463-900	GUIADOR DOBLE PARA PFAFF 463-900
-------------------	--	--------------------------------	---	--

mm		inch			
13	1/2	3,5	1/8	M	CF 465/0
16	5/8	4	5/32	M	CF 465/0
18	11/16	4,5	11/64	M	CF 465/0
20	3/4	5	3/16	M and H	CF 465/1
22	7/8	6	1/4	M and H	CF 465/1
25	1	7	9/32	M and H	CF 465/1
28	1 - 1/8	8	5/16	M and H	CF 465/2
30	1 - 3/16	9	11/32	M and H	CF 465/3
32	1 - 1/4	10	3/8	M and H	CF 465/3
35	1 - 3/8	11	7/16	M and H	CF 465/4
40	1 - 9/16	12	15/32	M and H	CF 465/5
45	1 - 3/4	14	9/16	M and H	CF 465/5
50	2	16	5/8	M	CF 465/5

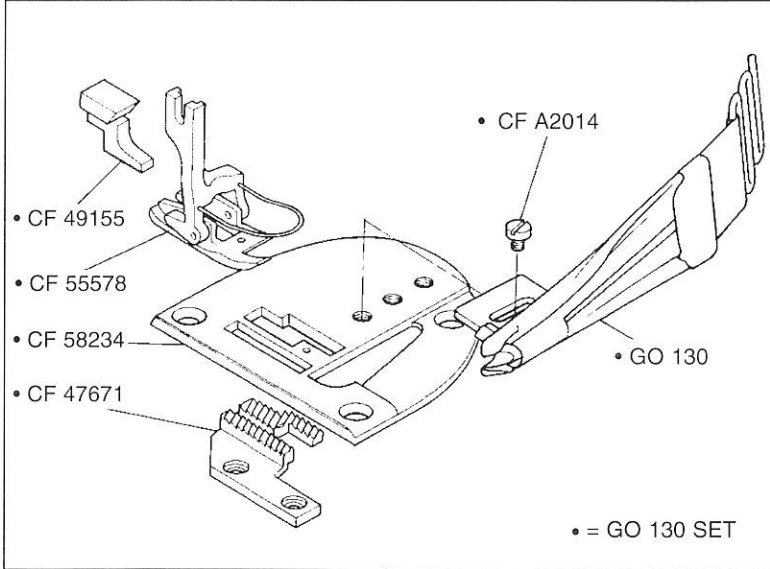
**A RICHIESTA:
GUIDE FUORI MISURA
ON REQUEST:
ALL THE OTHER SIZES**

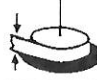

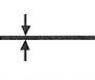

GO 129 SET	RAW EDGE TAPE BINDER FOR PFAFF 463-900	BORDATORE PER PFAFF 463-900	BORDEUR DOUBLE REPLI POUR PFAFF 463-900	GUIADOR SIMPLE PARA PFAFF 463-900
-------------------	--	--------------------------------	---	---

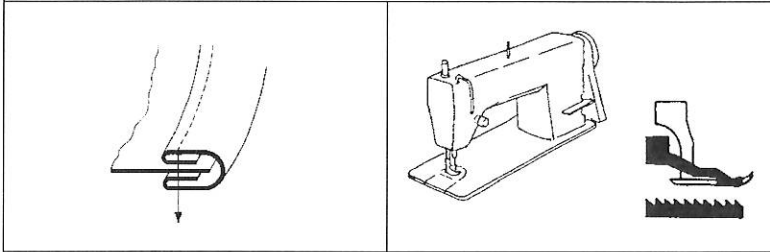
mm		inch			
10	3/8	5	3/16	M	CF 465/1
12	1/2	6	1/4	M	CF 465/1
14	9/16	7	9/32	M	CF 465/1
16	5/8	8	5/16	M	CF 465/2
18	11/16	9	11/32	M	CF 465/3
20	3/4	10	3/8	M - H	CF 465/3
22	7/8	11	7/16	M	CF 465/4
25	1	12,5	1/2	M - H	CF 465/5
28	1 - 1/8	14	9/16	M	CF 465/5
30	1 - 3/16	15	19/32	M - H	CF 465/5
35	1 - 3/8	17,5	11/16	M - H	CF 465/5

**A RICHIESTA:
GUIDE FUORI MISURA
ON REQUEST:
ALL THE OTHER SIZES**

GO 130 SET	RIGHT ANGLE BINDER FOR PFAFF 487	BORDATORE PER PFAFF 487	BORDEUR DOUBLE REMPI POUR PFAFF 487	GUIADOR DOBLE PARA PFAFF 487
-------------------	--	----------------------------	---	---------------------------------

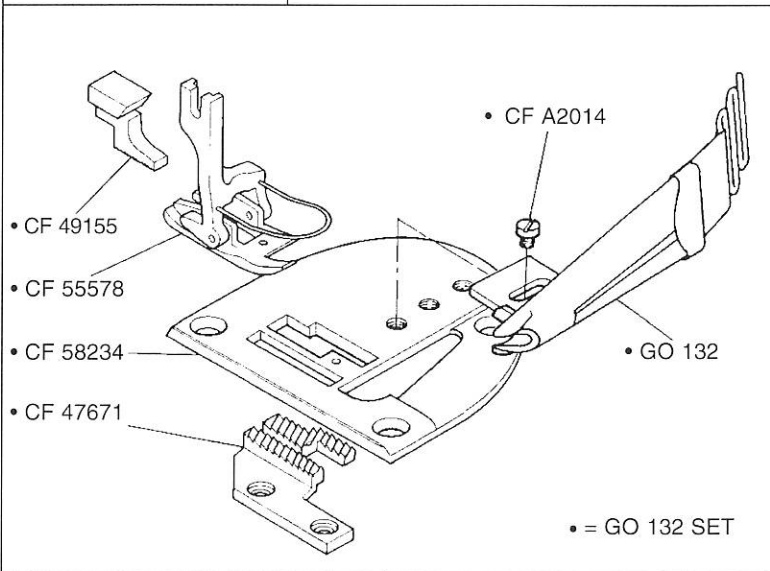


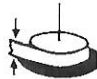



			
mm inch	mm inch	M	
19 3/4	5 3/16	M	CF 55578/1
22 7/8	6 1/4	M	CF 55578/1
25 1	7 9/32	M	CF 55578/2
28 1 - 1/8	8 5/16	M	CF 55578/2
30 1 - 3/16	9 11/32	M	CF 55578/3
32 1 - 1/4	10 3/8	M	CF 55578/3
35 1 - 3/8	11 7/16	M	CF 55578/4
40 1 - 9/16	12 1/2	M	CF 55578/5
45 1 - 3/4	14 9/16	M	CF 55578/5

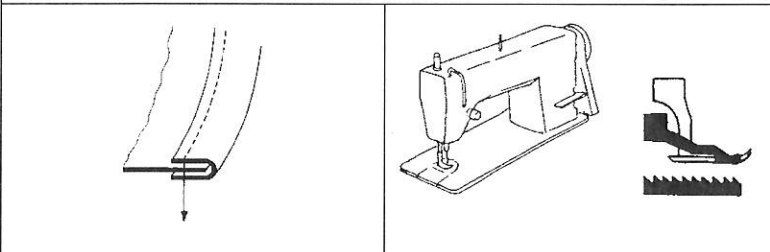


**A RICHIESTA:
GUIDE FUORI MISURA
ON REQUEST:
ALL THE OTHER SIZES**

GO 132 SET	RAW EDGE TAPE BINDER FOR PFAFF 487	BORDATORE PER PFAFF 487	BORDEUR DOUBLE REMPI POUR PFAFF 487	GUIADOR SIMPLE PARA PFAFF 487
-------------------	--	----------------------------	---	-------------------------------------



			
mm inch	mm inch	M	
14 9/16	7 9/32	M	CF 55578/2
16 5/8	8 5/16	M	CF 55578/2
18 11/16	9 11/32	M	CF 55578/3
20 3/4	10 3/8	M	CF 55578/3
22 7/8	11 7/16	M	CF 55578/4
25 1	12,5 1/2	M	CF 55578/5



**A RICHIESTA:
GUIDE FUORI MISURA
ON REQUEST:
ALL THE OTHER SIZES**

GO 133 SET	RIGHT ANGLE BINDER FOR NECCHI 885, 835	BORDATORE PER NECCHI 885	BORDEUR DOUBLE REMPLI POUR NECCHI 885	GUIADOR DOBLE PARA NECCHI 885
-------------------	--	-----------------------------	---	-------------------------------------

• CF 465

• CF 463/S

• CF 885

• GO 150

• CF A2014

• = GO 133 SET

mm		inch		mm		inch			
13	1/2	3,5	1/8					M	CF 465/0
16	5/8	4	5/32					M	CF 465/0
18	11/16	4,5	11/64					M	CF 465/0
20	3/4	5	3/16					M and H	CF 465/1
22	7/8	6	1/4					M and H	CF 465/1
25	1	7	9/32					M and H	CF 465/1
28	1 - 1/8	8	5/16					M and H	CF 465/2
30	1 - 3/16	9	11/32					M and H	CF 465/3
32	1 - 1/4	10	3/8					M and H	CF 465/3
35	1 - 3/8	11	7/16					M and H	CF 465/4
40	1 - 9/16	12	15/32					M and H	CF 465/5
45	1 - 3/4	14	9/16					M and H	CF 465/5
50	2	16	5/8					M	CF 465/5

**A RICHIESTA:
GUIDE FUORI MISURA
ON REQUEST:
ALL THE OTHER SIZES**

GO 134 SET	RAW EDGE TAPE BINDER FOR NECCHI 885	BORDATORE PER NECCHI 885	BORDEUR DOUBLE REMPLI POUR NECCHI 885	GUIADOR SIMPLE PARA NECCHI 885
-------------------	---	-----------------------------	---	--------------------------------------

• CF 465

• CF 463/S

• CF 885

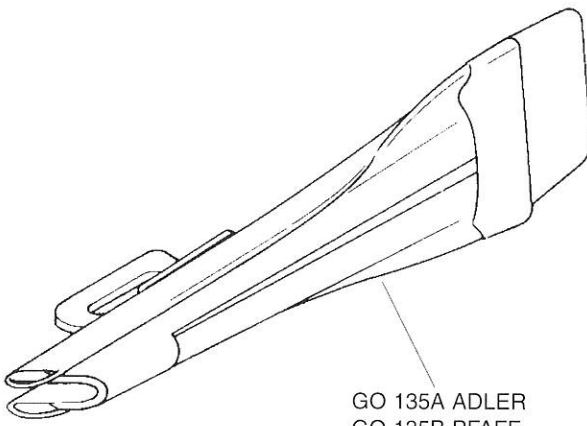
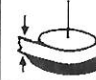

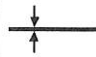
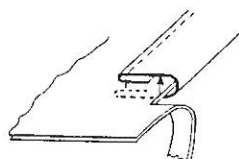
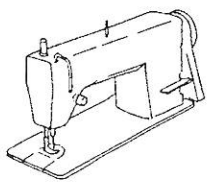

• GO 152

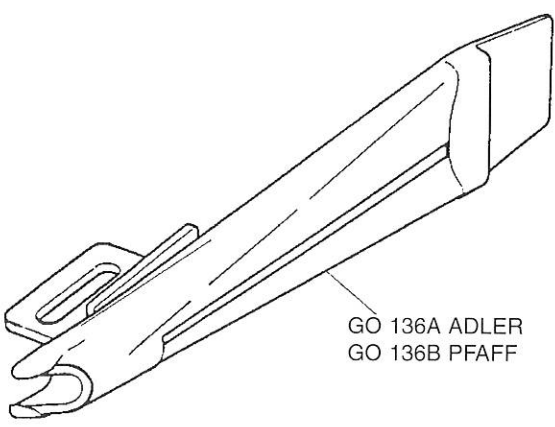
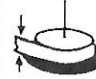
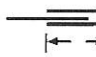
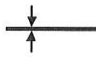
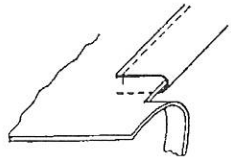
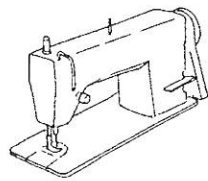

• CF A2014

• = GO 100 SET

mm		inch		mm		inch			
10	3/8	5	3/16					M	CF 465/1
12	1/2	6	1/4					M	CF 465/1
14	9/16	7	9/32					M	CF 465/1
16	5/8	8	5/16					M	CF 465/2
18	11/16	9	11/32					M	CF 465/3
20	3/4	10	3/8					M - H	CF 465/3
22	7/8	11	7/16					M	CF 465/4
25	1	12,5	1/2					M - H	CF 465/5
28	1 - 1/8	14	9/16					M	CF 465/5
30	1 - 3/16	15	19/32					M - H	CF 465/5
35	1 - 3/8	17,5	11/16					M - H	CF 465/5

**A RICHIESTA:
GUIDE FUORI MISURA
ON REQUEST:
ALL THE OTHER SIZES**

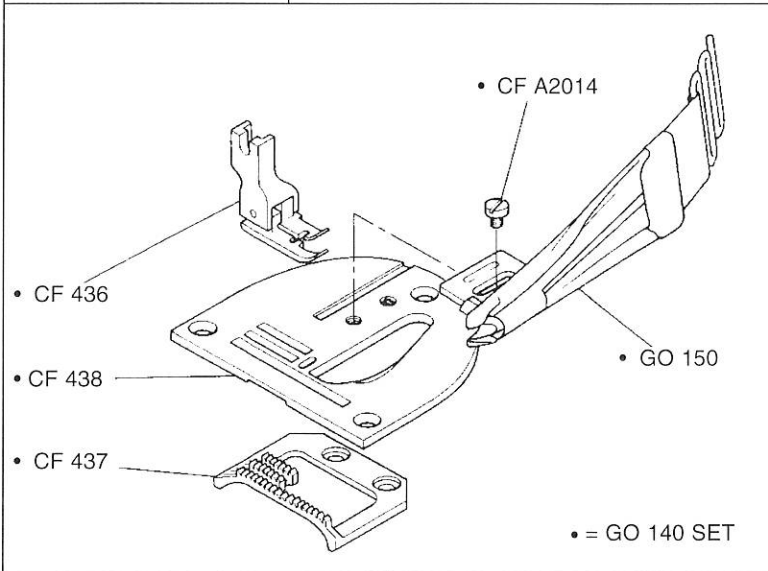
GO 135	RIGHT ANGLE BINDER FOR ADLER 767-AE-73 AND PFAFF 555-701	BORDATORE PER ADLER 767-AE-73 E PFAFF 555-701 AND PFAFF 555-701	BORDEUR DOUBLE REPLI POUR ADLER 767-AE-73 PFAFF 555-701	GUIADOR DOBLE PARA ADLER 767-AE-73 Y PFAFF 555-701																									
 <p>GO 135A ADLER GO 135B PFAFF</p> <p>• = GO 100 SET</p>		  	<table border="1" style="margin: auto; border-collapse: collapse;"> <thead> <tr> <th>mm</th> <th>inch</th> <th>mm</th> <th>inch</th> <th></th> </tr> </thead> <tbody> <tr> <td>40</td> <td>1 - 9/16</td> <td>12</td> <td>1/2</td> <td>M</td> </tr> <tr> <td>45</td> <td>1 - 3/4</td> <td>14</td> <td>9/16</td> <td>M</td> </tr> <tr> <td>50</td> <td>2</td> <td>16</td> <td>5/8</td> <td>M</td> </tr> <tr> <td>55</td> <td>2 - 3/16</td> <td>18</td> <td>11/16</td> <td>M</td> </tr> </tbody> </table>	mm	inch	mm	inch		40	1 - 9/16	12	1/2	M	45	1 - 3/4	14	9/16	M	50	2	16	5/8	M	55	2 - 3/16	18	11/16	M	
mm	inch	mm	inch																										
40	1 - 9/16	12	1/2	M																									
45	1 - 3/4	14	9/16	M																									
50	2	16	5/8	M																									
55	2 - 3/16	18	11/16	M																									
  		<p>A RICHIESTA: GUIDE FUORI MISURA ON REQUEST: ALL THE OTHER SIZES</p>																											

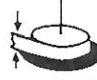

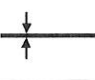

GO 136	RIGHT ANGLE BINDER FOR ADLER 767-AE-73 AND PFAFF 555-701	BORDATORE PER ADLER 767-AE-73 E PFAFF 555-701 AND PFAFF 555-701	BORDEUR DOUBLE REPLI POUR ADLER 767-AE-73 PFAFF 555-701	GUIADOR DOBLE PARA ADLER 767-AE-73 Y PFAFF 555-701																				
 <p>GO 136A ADLER GO 136B PFAFF</p> <p>• = GO 100 SET</p>		  	<table border="1" style="margin: auto; border-collapse: collapse;"> <thead> <tr> <th>mm</th> <th>inch</th> <th>mm</th> <th>inch</th> <th></th> </tr> </thead> <tbody> <tr> <td>25</td> <td>1</td> <td>12</td> <td>1/2</td> <td>M</td> </tr> <tr> <td>30</td> <td>1-3/16</td> <td>15</td> <td>19/32</td> <td>M</td> </tr> <tr> <td>35</td> <td>1-3/8</td> <td>17</td> <td>11/16</td> <td>M</td> </tr> </tbody> </table>	mm	inch	mm	inch		25	1	12	1/2	M	30	1-3/16	15	19/32	M	35	1-3/8	17	11/16	M	
mm	inch	mm	inch																					
25	1	12	1/2	M																				
30	1-3/16	15	19/32	M																				
35	1-3/8	17	11/16	M																				
  		<p>A RICHIESTA: GUIDE FUORI MISURA ON REQUEST: ALL THE OTHER SIZES</p>																						

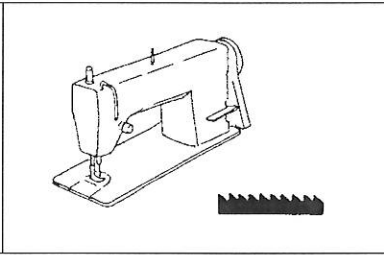
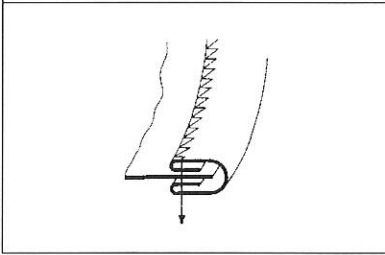
GO 137 SET	RIGHT ANGLE BINDER FOR DURKOPP 211	BORDATORE PER DURKOPP 211	BORDEUR DOUBLE REPLI POUR DURKOPP 211 COUPE-FIL	GUIADOR DOBLE PARA DURKOPP 211																																																																																					
<p style="text-align: center;">• = GO 137 SET</p>			<table border="1" style="width:100%; border-collapse: collapse; font-size: small;"> <thead> <tr> <th>mm</th> <th>inch</th> <th>mm</th> <th>inch</th> <th></th> <th></th> </tr> </thead> <tbody> <tr><td>13</td><td>1/2</td><td>3,5</td><td>1/8</td><td>M</td><td>CF 465/0</td></tr> <tr><td>16</td><td>5/8</td><td>4</td><td>5/32</td><td>M</td><td>CF 465/0</td></tr> <tr><td>18</td><td>11/16</td><td>4,5</td><td>11/64</td><td>M</td><td>CF 465/0</td></tr> <tr><td>20</td><td>3/4</td><td>5</td><td>3/16</td><td>M and H</td><td>CF 465/1</td></tr> <tr><td>22</td><td>7/8</td><td>6</td><td>1/4</td><td>M and H</td><td>CF 465/1</td></tr> <tr><td>25</td><td>1</td><td>7</td><td>9/32</td><td>M and H</td><td>CF 465/1</td></tr> <tr><td>28</td><td>1 - 1/8</td><td>8</td><td>5/16</td><td>M and H</td><td>CF 465/2</td></tr> <tr><td>30</td><td>1 - 3/16</td><td>9</td><td>11/32</td><td>M and H</td><td>CF 465/3</td></tr> <tr><td>32</td><td>1 - 1/4</td><td>10</td><td>3/8</td><td>M and H</td><td>CF 465/3</td></tr> <tr><td>35</td><td>1 - 3/8</td><td>11</td><td>7/16</td><td>M and H</td><td>CF 465/4</td></tr> <tr><td>40</td><td>1 - 9/16</td><td>12</td><td>15/32</td><td>M and H</td><td>CF 465/5</td></tr> <tr><td>45</td><td>1 - 3/4</td><td>14</td><td>9/16</td><td>M and H</td><td>CF 465/5</td></tr> <tr><td>50</td><td>2</td><td>16</td><td>5/8</td><td>M</td><td>CF 465/5</td></tr> </tbody> </table>	mm	inch	mm	inch			13	1/2	3,5	1/8	M	CF 465/0	16	5/8	4	5/32	M	CF 465/0	18	11/16	4,5	11/64	M	CF 465/0	20	3/4	5	3/16	M and H	CF 465/1	22	7/8	6	1/4	M and H	CF 465/1	25	1	7	9/32	M and H	CF 465/1	28	1 - 1/8	8	5/16	M and H	CF 465/2	30	1 - 3/16	9	11/32	M and H	CF 465/3	32	1 - 1/4	10	3/8	M and H	CF 465/3	35	1 - 3/8	11	7/16	M and H	CF 465/4	40	1 - 9/16	12	15/32	M and H	CF 465/5	45	1 - 3/4	14	9/16	M and H	CF 465/5	50	2	16	5/8	M	CF 465/5		<p>A RICHIESTA: GUIDE FUORI MISURA ON REQUEST: ALL THE OTHER SIZES</p>
mm	inch	mm	inch																																																																																						
13	1/2	3,5	1/8	M	CF 465/0																																																																																				
16	5/8	4	5/32	M	CF 465/0																																																																																				
18	11/16	4,5	11/64	M	CF 465/0																																																																																				
20	3/4	5	3/16	M and H	CF 465/1																																																																																				
22	7/8	6	1/4	M and H	CF 465/1																																																																																				
25	1	7	9/32	M and H	CF 465/1																																																																																				
28	1 - 1/8	8	5/16	M and H	CF 465/2																																																																																				
30	1 - 3/16	9	11/32	M and H	CF 465/3																																																																																				
32	1 - 1/4	10	3/8	M and H	CF 465/3																																																																																				
35	1 - 3/8	11	7/16	M and H	CF 465/4																																																																																				
40	1 - 9/16	12	15/32	M and H	CF 465/5																																																																																				
45	1 - 3/4	14	9/16	M and H	CF 465/5																																																																																				
50	2	16	5/8	M	CF 465/5																																																																																				

GO 138 SET	RAW EDGE TAPE BINDER FOR DURKOPP 211	BORDATORE PER DURKOPP 211	BORDEUR SIMPLE REPLI POUR DURKOPP 211 COUPE-FIL	GUIADOR SIMPLE PARA DURKOPP 211																																																																									
<p style="text-align: center;">• = GO 138 SET</p>			<table border="1" style="width:100%; border-collapse: collapse; font-size: small;"> <thead> <tr> <th>mm</th> <th>inch</th> <th>mm</th> <th>inch</th> <th></th> <th></th> </tr> </thead> <tbody> <tr><td>10</td><td>3/8</td><td>5</td><td>3/16</td><td>M</td><td>CF 465/1</td></tr> <tr><td>12</td><td>1/2</td><td>6</td><td>1/4</td><td>M</td><td>CF 465/1</td></tr> <tr><td>14</td><td>9/16</td><td>7</td><td>9/32</td><td>M</td><td>CF 465/1</td></tr> <tr><td>16</td><td>5/8</td><td>8</td><td>5/16</td><td>M</td><td>CF 465/2</td></tr> <tr><td>18</td><td>11/16</td><td>9</td><td>11/32</td><td>M</td><td>CF 465/3</td></tr> <tr><td>20</td><td>3/4</td><td>10</td><td>3/8</td><td>M - H</td><td>CF 465/3</td></tr> <tr><td>22</td><td>7/8</td><td>11</td><td>7/16</td><td>M</td><td>CF 465/4</td></tr> <tr><td>25</td><td>1</td><td>12,5</td><td>1/2</td><td>M - H</td><td>CF 465/5</td></tr> <tr><td>28</td><td>1 - 1/8</td><td>14</td><td>9/16</td><td>M</td><td>CF 465/5</td></tr> <tr><td>30</td><td>1 - 3/16</td><td>15</td><td>19/32</td><td>M - H</td><td>CF 465/5</td></tr> <tr><td>35</td><td>1 - 3/8</td><td>17,5</td><td>11/16</td><td>M - H</td><td>CF 465/5</td></tr> </tbody> </table>	mm	inch	mm	inch			10	3/8	5	3/16	M	CF 465/1	12	1/2	6	1/4	M	CF 465/1	14	9/16	7	9/32	M	CF 465/1	16	5/8	8	5/16	M	CF 465/2	18	11/16	9	11/32	M	CF 465/3	20	3/4	10	3/8	M - H	CF 465/3	22	7/8	11	7/16	M	CF 465/4	25	1	12,5	1/2	M - H	CF 465/5	28	1 - 1/8	14	9/16	M	CF 465/5	30	1 - 3/16	15	19/32	M - H	CF 465/5	35	1 - 3/8	17,5	11/16	M - H	CF 465/5		<p>A RICHIESTA: GUIDE FUORI MISURA ON REQUEST: ALL THE OTHER SIZES</p>
mm	inch	mm	inch																																																																										
10	3/8	5	3/16	M	CF 465/1																																																																								
12	1/2	6	1/4	M	CF 465/1																																																																								
14	9/16	7	9/32	M	CF 465/1																																																																								
16	5/8	8	5/16	M	CF 465/2																																																																								
18	11/16	9	11/32	M	CF 465/3																																																																								
20	3/4	10	3/8	M - H	CF 465/3																																																																								
22	7/8	11	7/16	M	CF 465/4																																																																								
25	1	12,5	1/2	M - H	CF 465/5																																																																								
28	1 - 1/8	14	9/16	M	CF 465/5																																																																								
30	1 - 3/16	15	19/32	M - H	CF 465/5																																																																								
35	1 - 3/8	17,5	11/16	M - H	CF 465/5																																																																								

GO 140 SET	RIGHT ANGLE BINDER FOR PFAFF 438, 938	BORDATORE PER PFAFF 438, 938	BORDEUR DOUBLE REMPLI POUR PFAFF 438, 938	GUIADOR DOBLE PARA PFAFF 438, 938
-------------------	---	---------------------------------	---	---

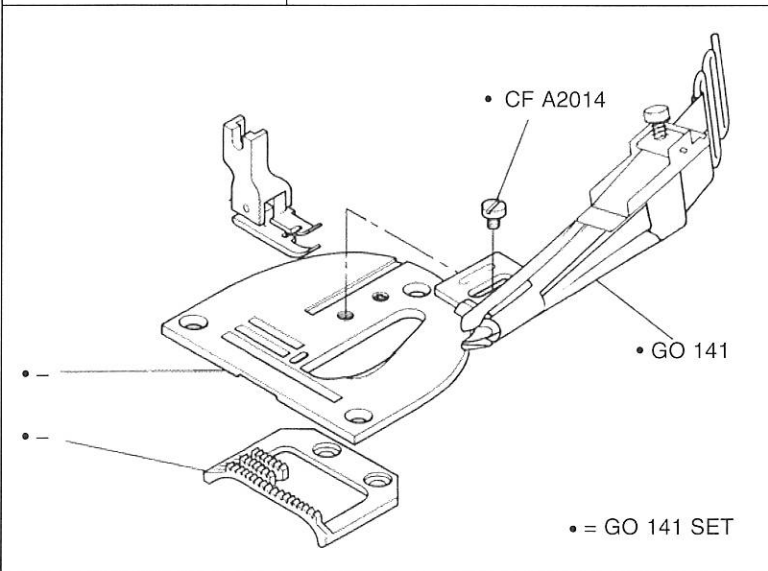


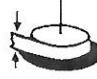



			
mm inch	mm inch		
13 1/2	3,5 1/8	M	CF 436/1
16 5/8	4 5/32	M	CF 436/1
18 11/16	4,5 11/64	M	CF 436/1
20 3/4	5 3/16	M and H	CF 436/1
22 7/8	6 1/4	M and H	CF 436/1
25 1	7 9/32	M and H	CF 436/1
28 1 - 1/8	8 5/16	M and H	CF 436/2
30 1 - 3/16	9 11/32	M and H	CF 436/2
32 1 - 1/4	10 3/8	M and H	CF 436/2
35 1 - 3/8	11 7/16	M and H	CF 436/2
40 1 - 9/16	12 15/32	M and H	CF 436/2
45 1 - 3/4	14 9/16	M and H	CF 436/2
50 2	16 5/8	M	CF 436/2



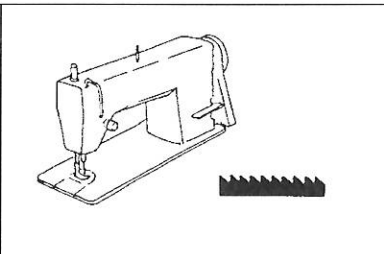
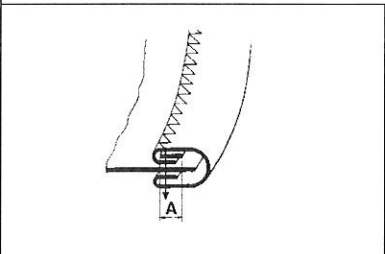
**A RICHIESTA:
GUIDE FUORI MISURA
ON REQUEST:
ALL THE OTHER SIZES**

GO 141 SET	RIGHT ANGLE BINDER FOR ELASTIC INSERTION	BORDATORE CON INSERIMENTO DI ELASTICO	BORDEUR DOUBLE REMPLI AVEC INSERTION D' ELASTIQUE	GUIADOR DOBLE CON INSERION DE ELASTICO
-------------------	--	---	--	--



			
mm inch	mm inch		mm inch
25 1	6 1/4	M	4 3/16
28 1 - 1/8	7 9/32	M	6 1/4
32 1 - 1/4	9 3/8	M	8 5/16

**A RICHIESTA:
GUIDE FUORI MISURA
ON REQUEST:
ALL THE OTHER SIZES**



GO 141A SET = PFAFF 438, 938
GO 141B SET = DURKOPP 265
GO 141C SET = PFAFF - 138/238
GO 141D SET = NECCHI 720
GO 141E SET = BROTHER B856
GO 141F SET = SINGER 457, JUKI 2280

GO 142 SET	RAW EDGE TAPE	BORDATORE PER	BORDEUR SIMPLE	GUIADOR SIMPLE
	BINDER FOR PFAFF 438, 938	PFAFF 438, 938	REMPII POUR PFAFF 438, 938	PARA PFAFF 438, 938

mm		inch		M	CF 436/1
10	3/8	5	3/16		
12	1/2	6	1/4	M	CF 436/1
14	9/16	7	9/32	M	CF 436/1
16	5/8	8	5/16	M	CF 436/2
18	11/16	9	11/32	M	CF 436/2
20	3/4	10	3/8	M - H	CF 436/2
22	7/8	11	7/16	M	CF 436/2
25	1	12,5	1/2	M - H	CF 436/2
28	1 - 1/8	14	9/16	M	CF 436/2
30	1 - 3/16	15	19/32	M - H	CF 436/2
35	1 - 3/8	17,5	11/16	M - H	CF 436/2

**A RICHIESTA:
GUIDE FUORI MISURA
ON REQUEST:
ALL THE OTHER SIZES**

GO 143 SET	RIGHT ANGLE	BORDATORE PER	BORDEUR DOUBLE	GUIADOR DOBLE
	BINDER FOR DURKOPP 265	DURKOPP 265	REMPII POUR DURKOPP 265	PARA DURKOPP 265

mm		inch		M	CF 436/1
13	1/2	3,5	1/8		
16	5/8	4	5/32	M	CF 436/1
18	11/16	4,5	11/64	M	CF 436/1
20	3/4	5	3/16	M and H	CF 436/1
22	7/8	6	1/4	M and H	CF 436/1
25	1	7	9/32	M and H	CF 436/1
28	1 - 1/8	8	5/16	M and H	CF 436/2
30	1 - 3/16	9	11/32	M and H	CF 436/2
32	1 - 1/4	10	3/8	M and H	CF 436/2
35	1 - 3/8	11	7/16	M and H	CF 436/2
40	1 - 9/16	12	15/32	M and H	CF 436/2
45	1 - 3/4	14	9/16	M and H	CF 436/2
50	2	16	5/8	M	CF 436/2

**A RICHIESTA:
GUIDE FUORI MISURA
ON REQUEST:
ALL THE OTHER SIZES**

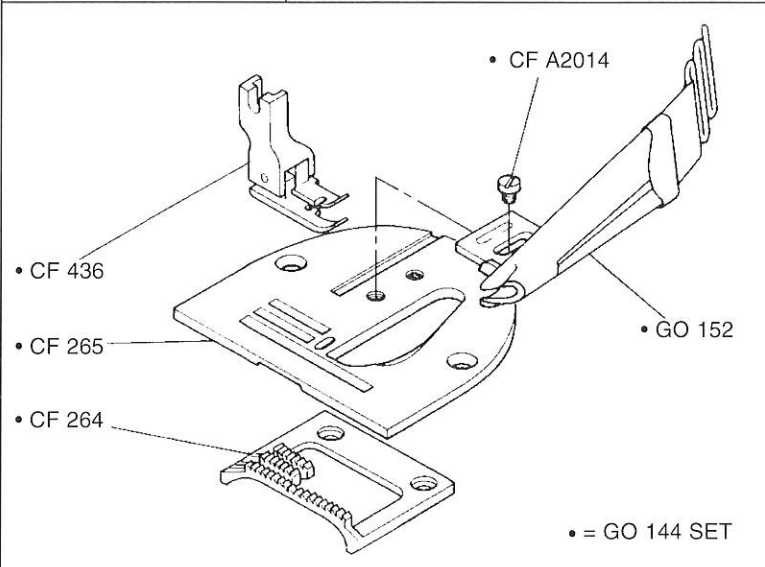
GO 144 SET

RAW EDGE TAPE
BINDER FOR
DURKOPP 265

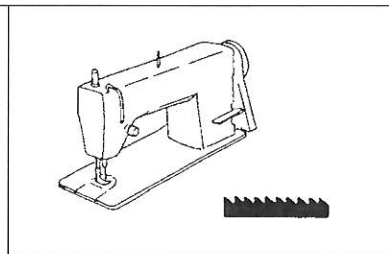
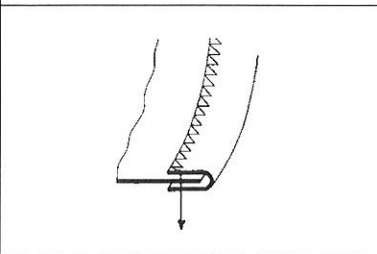
BORDATORE PER
DURKOPP 265

BORDEUR SIMPLE
REMPLE POUR
DURKOPP 265

GUIADOR SIMPLE
PARA
DURKOPP 265



mm		inch			
10	3/8	5	3/16	M	CF 436/1
12	1/2	6	1/4	M	CF 436/1
14	9/16	7	9/32	M	CF 436/1
16	5/8	8	5/16	M	CF 436/2
18	11/16	9	11/32	M	CF 436/2
20	3/4	10	3/8	M - H	CF 436/2
22	7/8	11	7/16	M	CF 436/2
25	1	12,5	1/2	M - H	CF 436/2
28	1 - 1/8	14	9/16	M	CF 436/2
30	1 - 3/16	15	19/32	M - H	CF 436/2
35	1 - 3/8	17,5	11/16	M - H	CF 436/2



**A RICHIESTA:
GUIDE FUORI MISURA
ON REQUEST:
ALL THE OTHER SIZES**

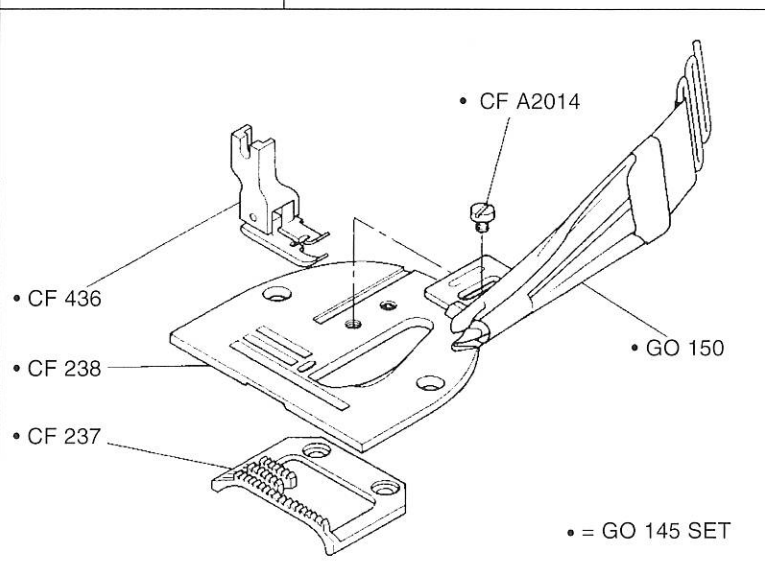
GO 145 SET

RIGHT ANGLE
BINDER FOR
PFAFF 138-238

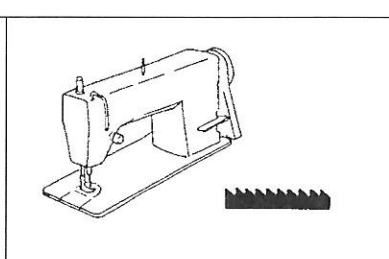
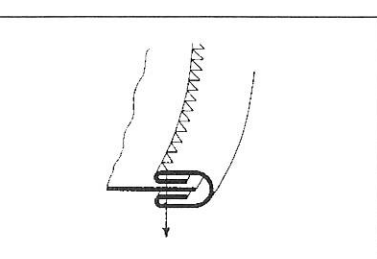
BORDATORE PER
PFAFF 138-238

BORDEUR DOUBLE
REMPLE POUR
PFAFF 138-238

GUIADOR DOBLE
PARA
PFAFF 138-238



mm		inch			
13	1/2	3,5	1/8	M	CF 436/1
16	5/8	4	5/32	M	CF 436/1
18	11/16	4,5	11/64	M	CF 436/1
20	3/4	5	3/16	M and H	CF 436/1
22	7/8	6	1/4	M and H	CF 436/1
25	1	7	9/32	M and H	CF 436/1
28	1 - 1/8	8	5/16	M and H	CF 436/2
30	1 - 3/16	9	11/32	M and H	CF 436/2
32	1 - 1/4	10	3/8	M and H	CF 436/2
35	1 - 3/8	11	7/16	M and H	CF 436/2
40	1 - 9/16	12	15/32	M and H	CF 436/2
45	1 - 3/4	14	9/16	M and H	CF 436/2
50	2	16	5/8	M	CF 436/2



**A RICHIESTA:
GUIDE FUORI MISURA
ON REQUEST:
ALL THE OTHER SIZES**

GO 146 SET	RAW EDGE TAPE	BORDATORE PER	BORDEUR SIMPLE	GUIADOR SIMPLE
	BINDER FOR PFAFF 138-238	PFAFF 138-238	REMPLE POUR PFAFF 138-238	PARA PFAFF 138-238

mm		inch		M	CF 436/1
10	3/8	5	3/16		
12	1/2	6	1/4	M	CF 436/1
14	9/16	7	9/32	M	CF 436/1
16	5/8	8	5/16	M	CF 436/2
18	11/16	9	11/32	M	CF 436/2
20	3/4	10	3/8	M - H	CF 436/2
22	7/8	11	7/16	M	CF 436/2
25	1	12,5	1/2	M - H	CF 436/2
28	1 - 1/8	14	9/16	M	CF 436/2
30	1 - 3/16	15	19/32	M - H	CF 436/2
35	1 - 3/8	17,5	11/16	M - H	CF 436/2

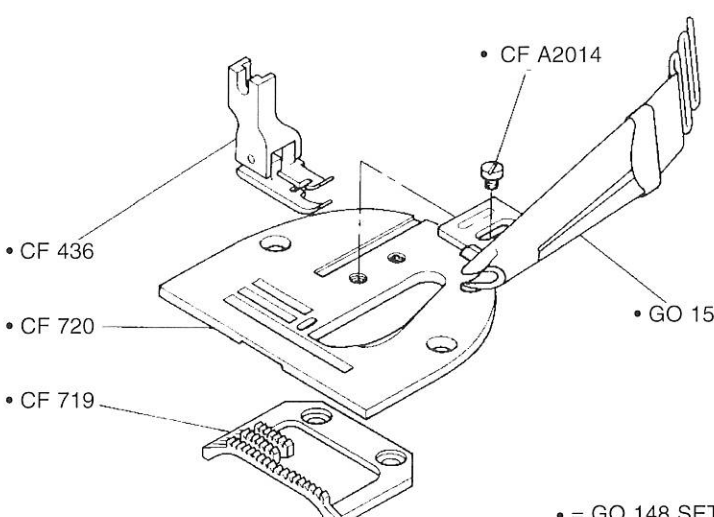
**A RICHIESTA:
GUIDE FUORI MISURA
ON REQUEST:
ALL THE OTHER SIZES**

GO 147 SET	RIGHT ANGLE	BORDATORE PER	BORDEUR DOUBLE	GUIADOR DOBLE
	BINDER FOR NECCHI 720	NECCHI 720	REMPLE POUR NECCHI 720	PARA NECCHI 720

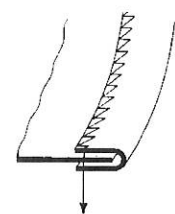
mm		inch		M	CF 436/1
13	1/2	3,5	1/8		
16	5/8	4	5/32	M	CF 436/1
18	11/16	4,5	11/64	M	CF 436/1
20	3/4	5	3/16	M and H	CF 436/1
22	7/8	6	1/4	M and H	CF 436/1
25	1	7	9/32	M and H	CF 436/1
28	1 - 1/8	8	5/16	M and H	CF 436/2
30	1 - 3/16	9	11/32	M and H	CF 436/2
32	1 - 1/4	10	3/8	M and H	CF 436/2
35	1 - 3/8	11	7/16	M and H	CF 436/2
40	1 - 9/16	12	15/32	M and H	CF 436/2
45	1 - 3/4	14	9/16	M and H	CF 436/2
50	2	16	5/8	M	CF 436/2

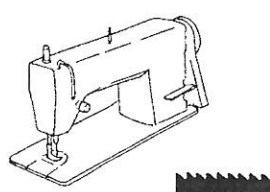
**A RICHIESTA:
GUIDE FUORI MISURA
ON REQUEST:
ALL THE OTHER SIZES**

GO 148 SET	RAW EDGE TAPE BINDER FOR NECCHI 720	BORDATORE PER NECCHI 720	BORDEUR SIMPLE REMPLI POUR NECCHI 720	GUIADOR SIMPLE PARA NECCHI 720
-------------------	---	-----------------------------	---	-----------------------------------



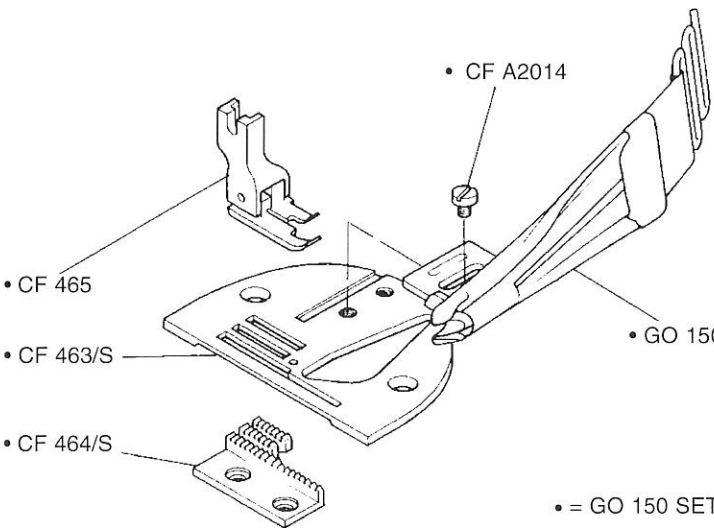
mm		inch			
10	3/8	5	3/16	M	CF 436/1
12	1/2	6	1/4	M	CF 436/1
14	9/16	7	9/32	M	CF 436/1
16	5/8	8	5/16	M	CF 436/2
18	11/16	9	11/32	M	CF 436/2
20	3/4	10	3/8	M - H	CF 436/2
22	7/8	11	7/16	M	CF 436/2
25	1	12,5	1/2	M - H	CF 436/2
28	1 - 1/8	14	9/16	M	CF 436/2
30	1 - 3/16	15	19/32	M - H	CF 436/2
35	1 - 3/8	17,5	11/16	M - H	CF 436/2



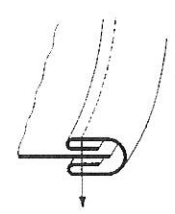


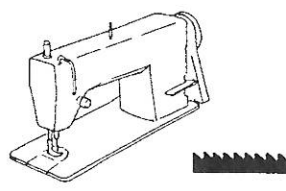
**A RICHIESTA:
GUIDE FUORI MISURA
ON REQUEST:
ALL THE OTHER SIZES**

GO 150 SET	RIGHT ANGLE BINDER FOR STANDARD LOCKSTITCH MACHINES	BORDATORE PER MACCHINE LINEARI NON RASAFILO	BORDEUR DOUBLE REMPLI POUR TOUTES PIQUEUSES A POINT NOUE	GUIADOR DOBLE PARA MAQUINAS DE PESPUNTE
-------------------	--	--	---	---



mm		inch			
13	1/2	3,5	1/8	M	CF 465/0
16	5/8	4	5/32	M	CF 465/0
18	11/16	4,5	11/64	M	CF 465/0
20	3/4	5	3/16	M and H	CF 465/1
22	7/8	6	1/4	M and H	CF 465/1
25	1	7	9/32	M and H	CF 465/1
28	1 - 1/8	8	5/16	M and H	CF 465/2
30	1 - 3/16	9	11/32	M and H	CF 465/3
32	1 - 1/4	10	3/8	M and H	CF 465/3
35	1 - 3/8	11	7/16	M and H	CF 465/4
40	1 - 9/16	12	15/32	M and H	CF 465/5
45	1 - 3/4	14	9/16	M and H	CF 465/5
50	2	16	5/8	M	CF 465/5





**A RICHIESTA:
GUIDE FUORI MISURA
ON REQUEST:
ALL THE OTHER SIZES**

GO 151 SET	SEMI - FOLD BINDER	BORDATORE CON PIEGA SOLO SUPERIORE	BORDEUR DOUBLE REPLI SUPERIEUR, SIMPLE INFERIEUR	GUIADOR PARA SASTRERIA SIN DOBLAR LA PARTE INFERIOR
-------------------	-----------------------	--	--	--

mm inch	mm inch	mm inch
22 7/8	5 3/16	12 15/32
27 1-1/16	7 9/32	14 9/16

**A RICHIESTA:
GUIDE FUORI MISURA
ON REQUEST:
ALL THE OTHER SIZES**

• = GO 151 SET

		GO 151A SET = STANDARD - LOCKSTITCH GO 151B SET = PFAFF 483 GO 151C SET = PFAFF 438 GO 151D SET = DURKOPP 265 GO 151E SET = NECCHI 720 GO 151F SET = PFAFF 138 GO 151G SET = DURKOPP 211 GO 151H SET = NECCHI 885 GO 151L SET = PFAFF 463 - 900
--	--	---

GO 152 SET	RAW EDGE TAPE BINDER FOR STANDARD LOCKSTITCH MACHINES	BORDATORE PER MACCHINE LINEARI NON RASAFILO	BORDEUR SIMPLE REPLI POUR TOUTES PIQUEUSES A POINT NOUE	GUIADOR SIMPLE PARA MAQUINAS DE PESPUNTE
-------------------	--	--	--	--

mm inch	mm inch		
10 3/8	5 3/16	M	CF 465/1
12 1/2	6 1/4	M	CF 465/1
14 9/16	7 9/32	M	CF 465/1
16 5/8	8 5/16	M	CF 465/2
18 11/16	9 11/32	M	CF 465/3
20 3/4	10 3/8	M - H	CF 465/3
22 7/8	11 7/16	M	CF 465/4
25 1	12,5 1/2	M - H	CF 465/5
28 1 - 1/8	14 9/16	M	CF 465/5
30 1 - 3/16	15 19/32	M - H	CF 465/5
35 1 - 3/8	17,5 11/16	M - H	CF 465/5

**A RICHIESTA:
GUIDE FUORI MISURA
ON REQUEST:
ALL THE OTHER SIZES**

• = GO 152 SET

<h2>GO 153 SET</h2>	RIGHT ANGLE BINDER WITH PIPING	BORDATORE CON PROFILO	BORDEUR DOUBLE REPLI AVEC PASSEPOIL	GUIADOR DOBLE CON VIVO
		<p>COSTRUITO SU RICHIESTA MANUFACTURED ON REQUEST FABRIQUE SUR COMMANDE SE CONSTRUYE SOBRE DEMANDA</p>		
		GO 153A SET = STANDARD - LOCKSTITCH MACHINES GO 153B SET = PFAFF 483 GO 153C SET = PFAFF 438 ZIGZAG GO 153D SET = DURKOPP 265 ZIGZAG GO 153E SET = NECCHI 720 ZIGZAG GO 153F SET = PFAFF 138 ZIGZAG GO 153G SET = DURKOPP 211 GO 153H SET = NECCHI 885 GO 153L SET = PFAFF 463 - 900		

<h2>GO 154 SET</h2>	RIGHT ANGLE BINDER WITH READY-MADE PIPING	BORDATORE CON PROFILO PREFABBRICATO	BORDEUR DOUBLE REPLI AVEC PASSEPOIL PREFABRIQUE	GUIADOR DOBLE CON VIVO PREFABRICADO
		<p>COSTRUITO SU RICHIESTA MANUFACTURED ON REQUEST FABRIQUE SUR COMMANDE SE CONSTRUYE SOBRE DEMANDA</p>		
		GO 154A SET = STANDARD - LOCKSTITCH MACHINES GO 154B SET = PFAFF 483 GO 154C SET = PFAFF 438 ZIGZAG GO 154D SET = DURKOPP 265 ZIGZAG GO 154E SET = NECCHI 720 ZIGZAG GO 154F SET = PFAFF 138 ZIGZAG GO 154G SET = DURKOPP 211 GO 154H SET = NECCHI 885 GO 154L SET = PFAFF 463 - 900		

GO 155 SET	RIGHT ANGLE BINDER FOR PFAFF 483	BORDATORE PER PFAFF 483	BORDEUR DOUBLE REMPII POUR PFAFF 483	GUIADOR DOBLE PARA PFAFF 483

<p>• = GO 155 SET</p>								
	mm	inch	mm	inch				
	13	1/2	3,5	1/8	M			CF 465/0
	16	5/8	4	5/32	M			CF 465/0
	18	11/16	4,5	11/64	M			CF 465/0
	20	3/4	5	3/16	M and H			CF 465/1
	22	7/8	6	1/4	M and H			CF 465/1
	25	1	7	9/32	M and H			CF 465/1
	28	1 - 1/8	8	5/16	M and H			CF 465/2
	30	1 - 3/16	9	11/32	M and H			CF 465/3
	32	1 - 1/4	10	3/8	M and H			CF 465/3
	35	1 - 3/8	11	7/16	M and H			CF 465/4
	40	1 - 9/16	12	15/32	M and H			CF 465/5
45	1 - 3/4	14	9/16	M and H			CF 465/6	
50	2	16	5/8	M			CF 465/6	

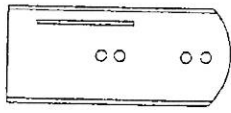
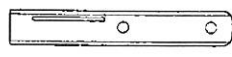
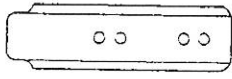
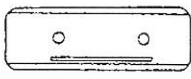
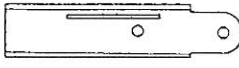
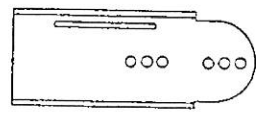

		<p>A RICHIESTA: GUIDE FUORI MISURA ON REQUEST: ALL THE OTHER SIZES</p>
--	--	---

GO 156 SET	RAW EDGE TAPE BINDER FOR PFAFF 483	BORDATORE PER PFAFF 483	BORDEUR SIMPLE REMPII POUR PFAFF 483	GUIADOR SIMPLE PARA PFAFF 483

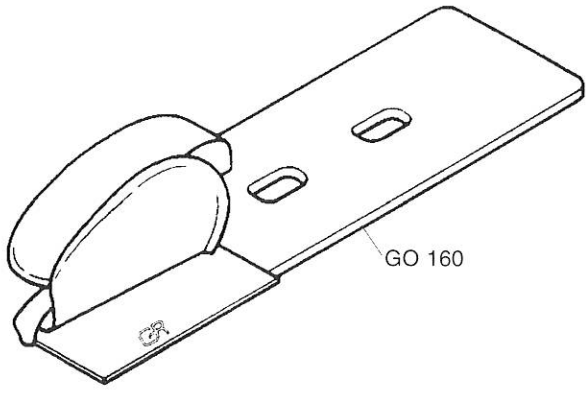

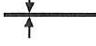
<p>• = GO 156 SET</p>								
	mm	inch	mm	inch				
	10	3/8	5	3/16	M			CF 465/1
	12	1/2	6	1/4	M			CF 465/1
	14	9/16	7	9/32	M			CF 465/1
	16	5/8	8	5/16	M			CF 465/2
	18	11/16	9	11/32	M			CF 465/3
	20	3/4	10	3/8	M - H			CF 465/3
	22	7/8	11	7/16	M			CF 465/4
	25	1	12,5	1/2	M - H			CF 465/5
	28	1 - 1/8	14	9/16	M			CF 465/6
	30	1 - 3/16	15	19/32	M - H			CF 465/6
	35	1 - 3/8	17,5	11/16	M - H			CF 465/6

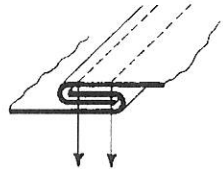
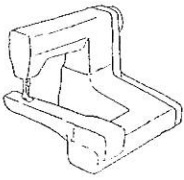
		<p>A RICHIESTA: GUIDE FUORI MISURA ON REQUEST: ALL THE OTHER SIZES</p>
--	--	---

GO 159	SLIDE FOR ATTACHMENT	SLITTA PER GUIDA G 0160	PLAQUE GLISSIÈRE POUR GUIDE	CORREDERA PARA GUIA
	GO 160, GO 162	E G 0162	GO 160, GO 162	GO 160, GO 162

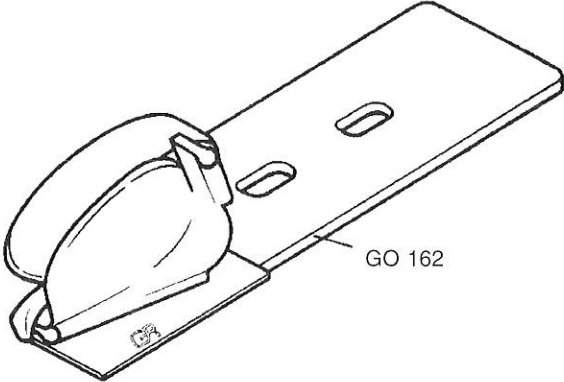



GO 159A	GO 159B	GO 159C	GO 159D
			
Singer - wide tipe Juki	Singer - narrow tipe Juki	Union Special	Union Special
GO 159E	GO 159F	GO 159G	
			
Necchi	Brother	Rimoldi	

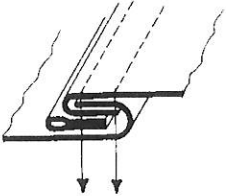
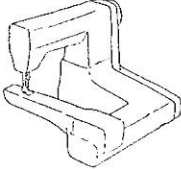
GO 160	LAP SEAM FOLDER	RIBATTITORE	DOUBLE RABATTEUR	GUIA DE SOBRECARGAR

 <p>GO 160</p> <p>• = GO 100 SET</p>																																																				
	<table border="1"> <thead> <tr> <th>mm</th> <th>inch</th> <th></th> <th></th> <th></th> </tr> </thead> <tbody> <tr> <td>4,8</td> <td>3/16</td> <td>L</td> <td></td> <td></td> </tr> <tr> <td>4,8</td> <td>3/16</td> <td>M</td> <td></td> <td></td> </tr> <tr> <td>4,8</td> <td>3/16</td> <td>MH</td> <td></td> <td></td> </tr> <tr> <td>4,8</td> <td>3/16</td> <td>H</td> <td></td> <td></td> </tr> <tr> <td>6,4</td> <td>1/4</td> <td>L</td> <td></td> <td></td> </tr> <tr> <td>6,4</td> <td>1/4</td> <td>M</td> <td></td> <td></td> </tr> <tr> <td>6,4</td> <td>1/4</td> <td>MH</td> <td></td> <td></td> </tr> <tr> <td>6,4</td> <td>1/4</td> <td>H</td> <td></td> <td></td> </tr> <tr> <td>6,4</td> <td>1/4</td> <td>HX</td> <td></td> <td></td> </tr> </tbody> </table>	mm	inch				4,8	3/16	L			4,8	3/16	M			4,8	3/16	MH			4,8	3/16	H			6,4	1/4	L			6,4	1/4	M			6,4	1/4	MH			6,4	1/4	H			6,4	1/4	HX			
mm	inch																																																			
4,8	3/16	L																																																		
4,8	3/16	M																																																		
4,8	3/16	MH																																																		
4,8	3/16	H																																																		
6,4	1/4	L																																																		
6,4	1/4	M																																																		
6,4	1/4	MH																																																		
6,4	1/4	H																																																		
6,4	1/4	HX																																																		
<p>A RICHIESTA: GUIDE FUORI MISURA ON REQUEST: ALL THE OTHER SIZES</p>																																																				

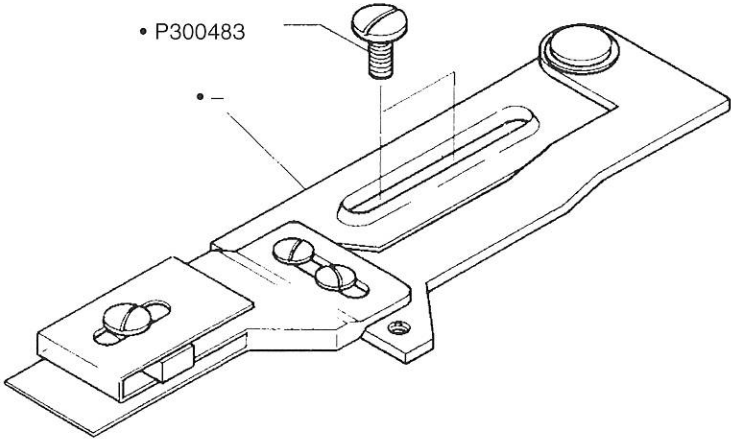
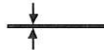
		<p>THE INVERSED LAP SEAM FOLDER GO161 IS AVAILABLE ON REQUEST IL RIBATTITORE INVERSO GO161 VIENE COSTRUITO SU RICHIESTA LE DOUBLE RABATTEUR INVERSE GO161 EST DISPONIBLE SUR COMMANDE LA GUIA DE SOBRECARGAR INVERTIDA GO161 VIENE CONSTRUIDA SOBRE DEMANDA</p>
---	---	---

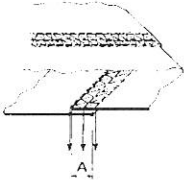
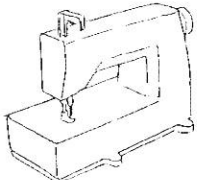
<h1>GO 162</h1>	LAP SEAM FOLDER WITH PIPING INSERTION	RIBATTITORE CON INSERIMENTO DI PROFILO	DOUBLE REBATEUR AVEC INSERTION DE PASSEPOIL	GUIA DE SOBRECARGAR CON INSERCIÓN DE VIVO
-----------------	---	--	---	---

 <p>GO 162</p> <p>• = GO 100 SET</p>																																																					
	<table border="1"> <thead> <tr> <th>mm</th> <th>inch</th> <th></th> <th>mm</th> <th>inch</th> </tr> </thead> <tbody> <tr><td>4,8</td><td>3/16</td><td>L</td><td>10</td><td>3/8</td></tr> <tr><td>4,8</td><td>3/16</td><td>M</td><td>10</td><td>3/8</td></tr> <tr><td>4,8</td><td>3/16</td><td>MH</td><td>10</td><td>3/8</td></tr> <tr><td>4,8</td><td>3/16</td><td>H</td><td>10</td><td>3/8</td></tr> <tr><td>6,4</td><td>1/4</td><td>L</td><td>10</td><td>3/8</td></tr> <tr><td>6,4</td><td>1/4</td><td>M</td><td>10</td><td>3/8</td></tr> <tr><td>6,4</td><td>1/4</td><td>MH</td><td>10</td><td>3/8</td></tr> <tr><td>6,4</td><td>1/4</td><td>H</td><td>10</td><td>3/8</td></tr> <tr><td>6,4</td><td>1/4</td><td>HX</td><td>10</td><td>3/8</td></tr> </tbody> </table>	mm	inch		mm	inch	4,8	3/16	L	10	3/8	4,8	3/16	M	10	3/8	4,8	3/16	MH	10	3/8	4,8	3/16	H	10	3/8	6,4	1/4	L	10	3/8	6,4	1/4	M	10	3/8	6,4	1/4	MH	10	3/8	6,4	1/4	H	10	3/8	6,4	1/4	HX	10	3/8		
mm	inch		mm	inch																																																	
4,8	3/16	L	10	3/8																																																	
4,8	3/16	M	10	3/8																																																	
4,8	3/16	MH	10	3/8																																																	
4,8	3/16	H	10	3/8																																																	
6,4	1/4	L	10	3/8																																																	
6,4	1/4	M	10	3/8																																																	
6,4	1/4	MH	10	3/8																																																	
6,4	1/4	H	10	3/8																																																	
6,4	1/4	HX	10	3/8																																																	

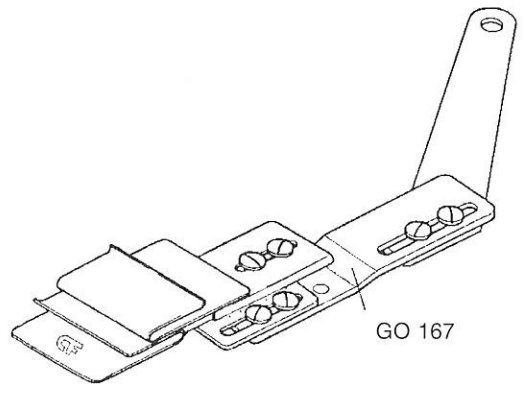
		<p>A RICHIESTA: GUIDE FUORI MISURA ON REQUEST: ALL THE OTHER SIZES</p>
--	--	---

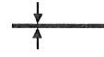
<h1>GO 165</h1>	ADJUSTABLE ATTACHMENT FOR ASSEMBLING OPERATIONS	GUIDA REGOLABILE PER ASSEMBLAGGIO	GUIDE REGLABLE POUR ASSEMBLAGE DE TISSUS	GUIA REGULABLE PARA EL ENSAMBLAGE
-----------------	--	---	--	---

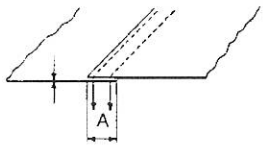
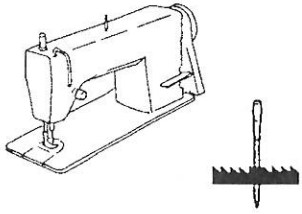
 <p>• P300483</p> <p>• = GO 165</p>	<p>“A”</p> 			
	Adjustable from 0 to 15 mm Adjustable from 0 to 19/32 inch	L - M and H		

		<p>A RICHIESTA: GUIDE FUORI MISURA ON REQUEST: ALL THE OTHER SIZES</p>
---	---	---

<p>GO 167</p>	<p>ASSEMBLY ATTACHMENT FOR AWNINGS</p>	<p>GUIDA PER ASSEMBLAGGIO TENDE DA SOLE</p>	<p>GUIDE D'ASSEMBLAGE POUR STORES</p>	<p>GUIA PARA ENSAMBLAJE TOLDOS</p>
----------------------	--	---	---	--

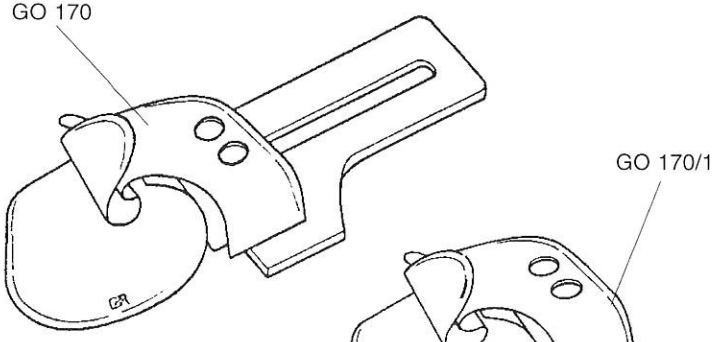




"A"			
Adjustable from 10 to 28 mm	MH		
Adjustable from 3/8 to 1-1/8 inch			

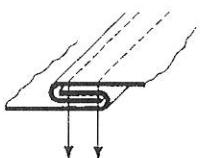
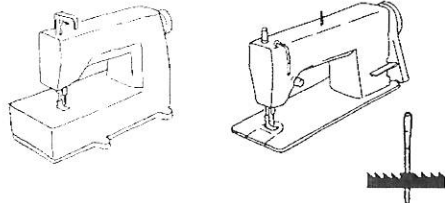



**A RICHIESTA:
GUIDE FUORI MISURA
ON REQUEST:
ALL THE OTHER SIZES**

<p>GO 170 GO 170/1</p>	<p>LAP SEAM FOLDER FOR 2 OR 3 NEEDLES FLAT BED MACHINES</p>	<p>RIBATTITORE PER MACCHINE A 2 O 3 AGHI PIANE</p>	<p>DOUBLE RABATTEUR POUR MACHINES PLATES A 2 OU 3 AIGUILLES</p>	<p>GUIA DE SOBRE CARGAR PARA MACHINAS DE PESPUNTE DE 2 O 3 AGUJAS</p>
--	---	--	---	---



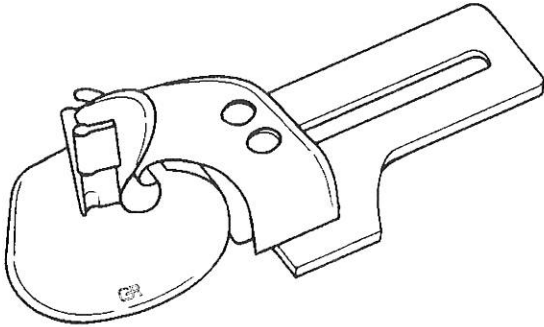

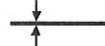

			
mm	inch		
4,8	3/16	L	
4,8	3/16	M	
4,8	3/16	MH	
4,8	3/16	H	
6,4	1/4	L	
6,4	1/4	M	
6,4	1/4	MH	
6,4	1/4	H	
6,4	1/4	HX	

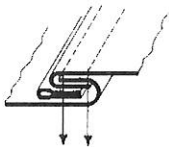
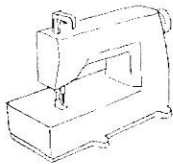
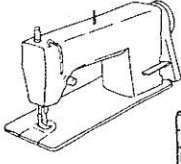
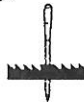



**A RICHIESTA:
GUIDE FUORI MISURA
ON REQUEST:
ALL THE OTHER SIZES**

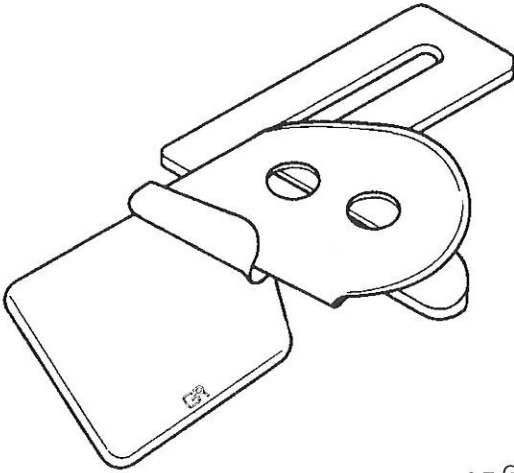


THE INVERSED LAP SEAM FOLDER GO171 IS AVAILABLE ON REQUEST
 IL RIBATTITORE INVERSO GO171 VIENE COSTRUITO SU RICHIESTA
 LE DOUBLE RABATTEUR INVERSE GO171 EST DISPONIBLE SUR COMMANDE
 LA GUIA DE SOBRECARGAR INVERTIDA GO171 VIENE CONSTRUIDA SOBRE DEMANDA

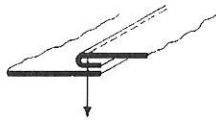
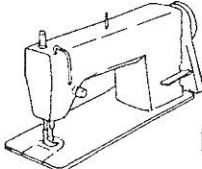

GO 172	LAP SEAM FOLDER WITH PIPING INSERTION	RIBATTITORE CON INSERIMENTO DI PROFILO	DOUBLE RABATTEUR AVEC INSERTION DE PASSEPOIL	GUIA DE SOBRE CARGAR CON INSERCIÓN DE VIVO
---------------	---	--	--	--

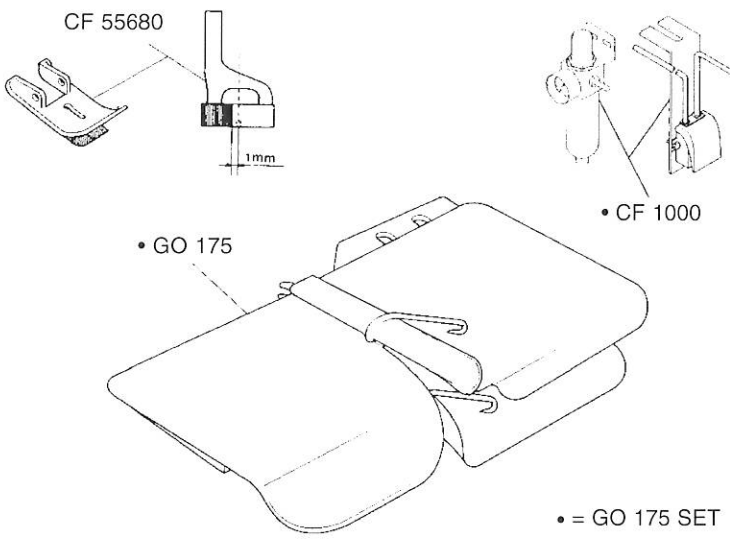
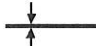
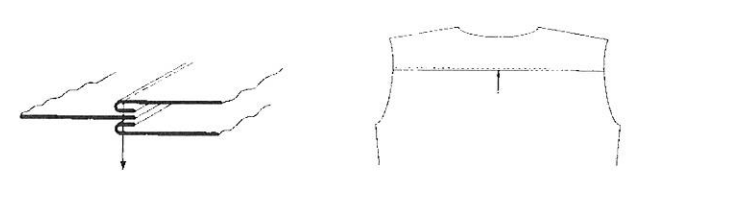
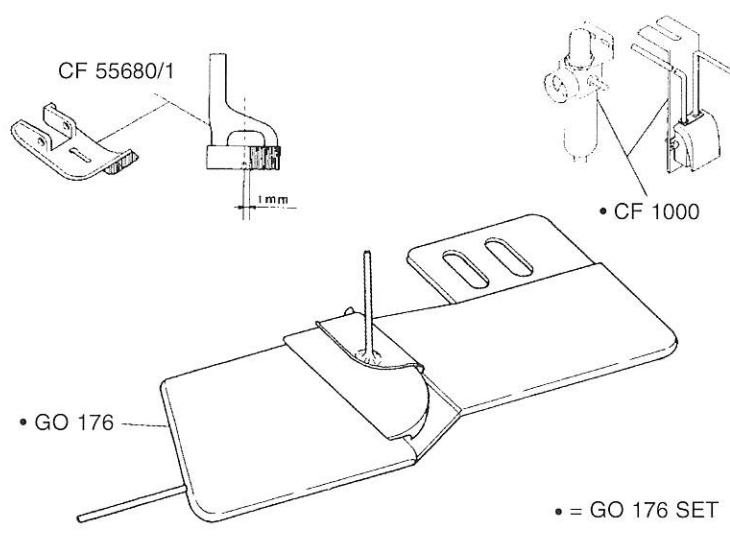

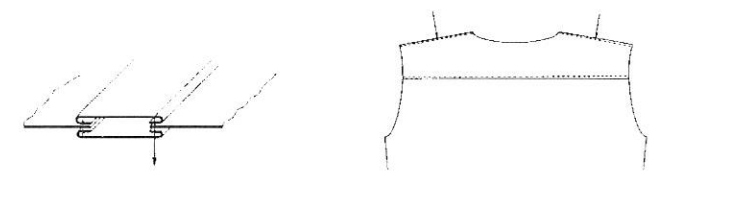
 <p>• = GO 100 SET</p>					
	mm	inch		mm	inch
	4,8	3/16	L	10	3/8
	4,8	3/16	M	10	3/8
	4,8	3/16	MH	10	3/8
	4,8	3/16	H	10	3/8
	6,4	1/4	L	10	3/8
	6,4	1/4	M	10	3/8
	6,4	1/4	MH	10	3/8
	6,4	1/4	H	10	3/8
6,4	1/4	HX	10	3/8	

				<p>A RICHIESTA: GUIDE FUORI MISURA ON REQUEST: ALL THE OTHER SIZES</p>
--	--	--	--	---

GO 173	YOKE ATTACHMENT	GUIDA PER CARRÉ CAMICIA	GUIDE POUR EMPIECEMENT DE CHEMISES	GUIA PARA EL CANESU DE LAS CAMISAS
---------------	-----------------	----------------------------	--	--

 <p>• = GO 100 SET</p>					
	mm	inch			
	7	9/32	L - M		
	10	3/8	L - M - H		
	12		L - M - H		

			<p>A RICHIESTA: GUIDE FUORI MISURA ON REQUEST: ALL THE OTHER SIZES</p>
---	---	---	---

GO 175 SET	PNEUMATIC YOKE ATTACHMENT	GUIDA PER CARRE CAMICIA	GUIDE PNEUMATIQUE POUR EMPIECEMENT DE CHEMISES	GUIA PARA CANESU DE CAMISAS		
 <p>CF 55680</p> <p>1mm</p> <p>• GO 175</p> <p>• CF 1000</p> <p>• = GO 175 SET</p>						
			<p>A RICHIESTA: GUIDE FUORI MISURA ON REQUEST: ALL THE OTHER SIZES</p>			
GO 176 SET	PNEUMATIC YOKE ATTACHMENT TO FIT UPPER FEEDER SEWING MACHINES	GUIDA PER ATTACCATURA SPALLE CAMICIA PER MACCHINE A TRASPORTO SUPERIORE	GUIDE PNEUMATIQUE POUR EMPIECEMENT DE CHEMISES SUR MACHINES A ENTRAINEMENT SUPERIEUR	GUIA PARA CANESU DE CAMISAS PARA MAQUINAS DE TRANSPORTE SUPERIOR		
 <p>CF 55680/1</p> <p>1mm</p> <p>• GO 176</p> <p>• CF 1000</p> <p>• = GO 176 SET</p>						
			<p>A RICHIESTA: GUIDE FUORI MISURA ON REQUEST: ALL THE OTHER SIZES</p>			

GO 180/1 GO 180/2	LAP SEAM FOLDER FOR UNION SPECIAL 35800 AND RIMOLDI 184	RIBATTITORE PER UNION SPECIAL 35800 E RIMOLDI 184	DOUBLE RABATTEUR POUR UNION SPECIAL 35800 ET RIMOLDI 184	GUIA DE SOBRE CARGAR PARA UNION SPECIAL 35800 Y RIMOLDI 184
------------------------------------	--	--	---	--

• = GO 180/1
Union Special

▲ = GO 180/2
Rimoldi

mm	inch		
4,8	3/16	L	
4,8	3/16	M	
4,8	3/16	MH	
4,8	3/16	H	
6,4	1/4	L	
6,4	1/4	M	
6,4	1/4	MH	
6,4	1/4	H	
6,4	1/4	HX	

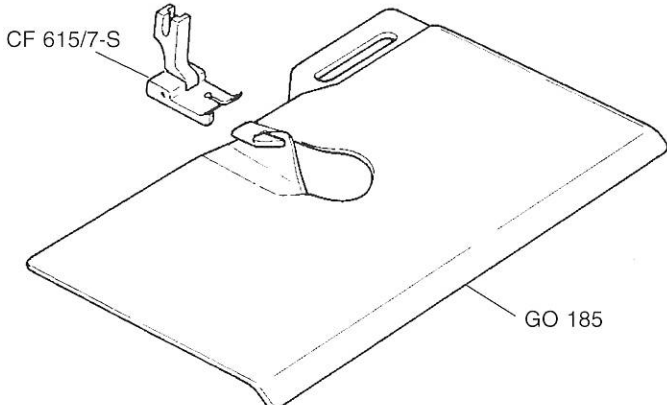

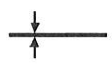
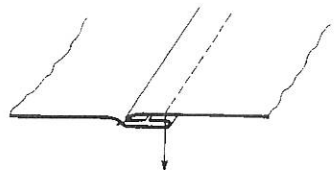
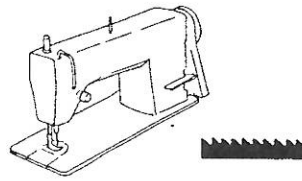
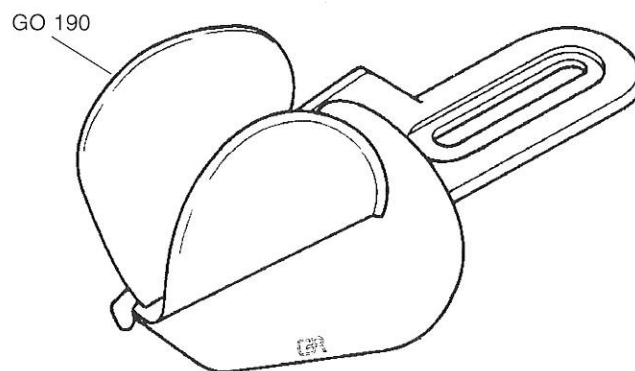


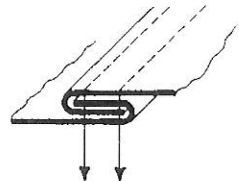
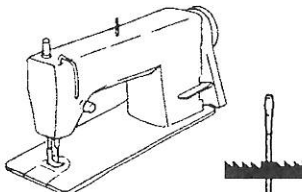
**A RICHIESTA:
GUIDE FUORI MISURA
ON REQUEST:
ALL THE OTHER SIZES**

THE INVERSED LAP SEAM FOLDER GO181 IS AVAILABLE ON REQUEST
IL RIBATTITORE INVERSO GO181 VIENE COSTRUITO SU RICHIESTA
LE DOUBLE RABATTEUR INVERSE GO181 EST DISPONIBLE SUR COMMANDE
LA GUIA DE SOBRECARGAR INVERTIDA GO181 VIENE CONSTRUIDA SOBRE DEMANDA

GO 184 SET	GUIDE AND FOOT FOR SHIRT SLEEVE ATTACHING	GUIDA COMPLETA DI PIEDINO PER ATTACCATURA MANICA CAMICIA	GUIDE ET PIED POUR APPLICATION MANCHE DE CHEMISE	GUIA CON PRENSA TELAS PARA APPLICACION MANGA CAMISETA
-------------------	---	--	--	---

Adjustable from 8 to 25 mm	L		
from 5/16 to inch			

**A RICHIESTA:
GUIDE FUORI MISURA
ON REQUEST:
ALL THE OTHER SIZES**

<p>GO 185 SET</p>	<p>GUIDE AND FOOT FOR SLEEVE TOPSTITCHING</p>	<p>GUIDA COMPLETA DI PIEDINO PER RIBATTITURA MANICA CAMICIA</p>	<p>GUIDE ET PIED POUR PIQUER LE MANCHE DE CHEMISE</p>	<p>GUIDA CON PRENSATELAS PARA SOBRECARGAR MANGA CAMISETA</p>		
 <p>CF 615/7-S</p> <p>GO 185</p>						
				<p>A RICHIESTA: GUIDE FUORI MISURA ON REQUEST: ALL THE OTHER SIZES</p>		
<p>GO 190</p>	<p>LAP SEAM FOLDER FOR 2 NEEDLES FLAT BED PFAFF MACHINES</p>	<p>RIBATTITORE PER MACCHINE PFAFF PIANE A 2 AGHI</p>	<p>DOUBLE RABATTEUR POUR PFAFF 2 AIGUILLES</p>	<p>GUIA DE SOBRE CARGAR PARA MAQUINAS PFAFF PLANAS DE 2 AGUJAS</p>		
 <p>GO 190</p> <p>• = GO 100 SET</p>						
				<p>A RICHIESTA: GUIDE FUORI MISURA ON REQUEST: ALL THE OTHER SIZES</p> <p>THE INVERSED LAP SEAM FOLDER GO191 IS AVAILABLE ON REQUEST IL RIBATTITORE INVERSO GO191 VIENE COSTRUITO SU RICHIESTA LE DOUBLE RABATTEUR INVERSE GO191 EST DISPONIBLE SUR COMMANDE LA GUIA DE SOBRECARGAR INVERTIDA GO191 VIENE CONSTRUIDA SOBRE DEMANDA</p>		

GO 199 A
GO 199 B

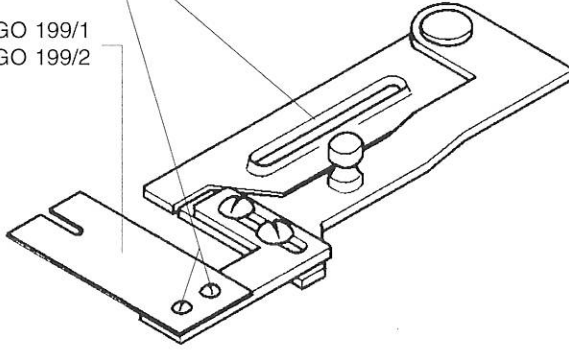
RUFFLER POR
UPPER
FEED LOCKSTITCH
MACHINES

ARRICCIATORE
PER MACCHINE
A TRASPORTO
SUPERIORE

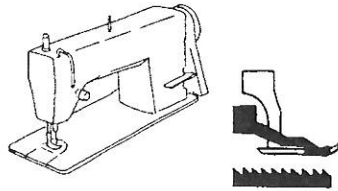
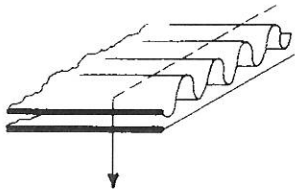
FRONCEUR POUR
MACHINES A
ENTRAINEMENT
SUPERIEUR

FRUNCIDORES
PARA MACHINAS
CON TRANSPORTE
SUPERIOR

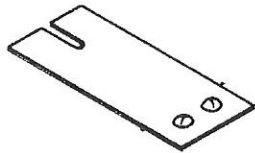
- ▲ GO 195
- ▲ CF A1125
- GO 199/1
- ▲ GO 199/2



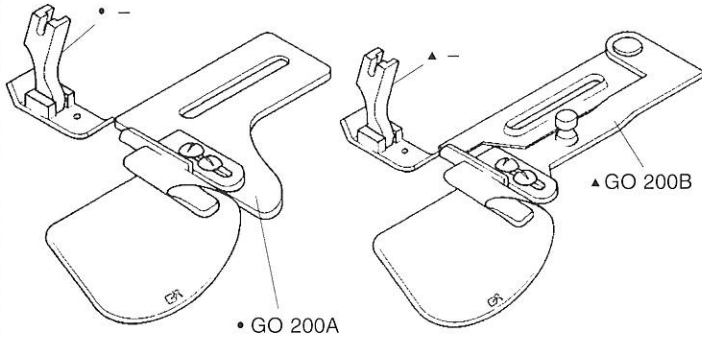
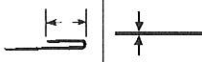

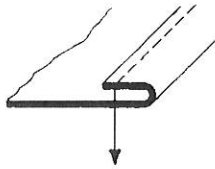
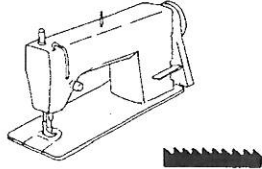
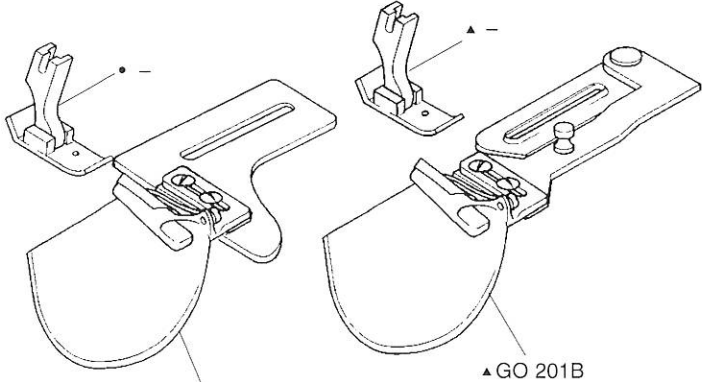
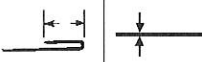

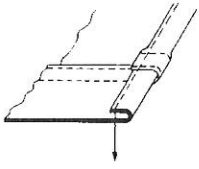
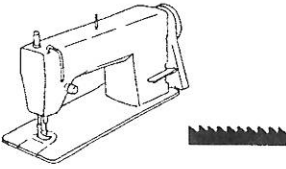
- = GO 199B
- ▲ = GO 199A ZIG ZAG

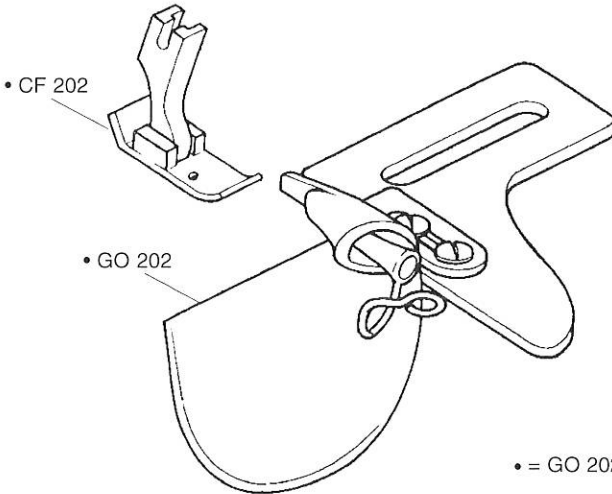
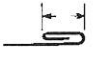
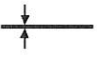

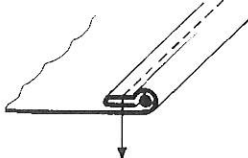
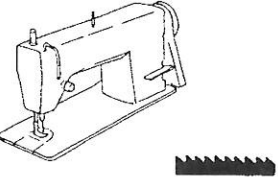


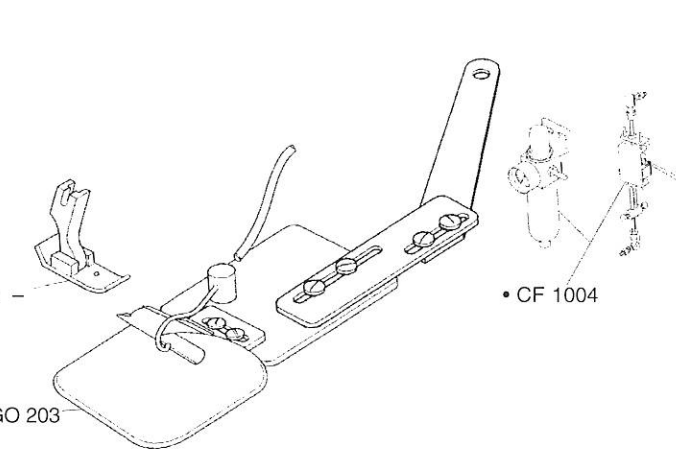

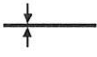

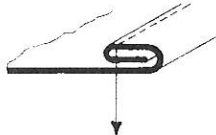
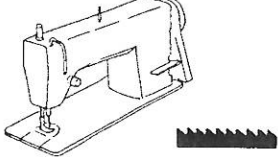
GO 199



- GO 199/1 MM2
- GO 199/2 MM3
- GO 199/3 MM5

GO 200 SET	SINGLE HEMMER COMPLETE WITH FOOT	ORLATORE CON PIEDINO	GUIDE RABATTEUR AVEC PIED-DE-BICHE	ORILLADOR SIMPLE CON PRENSATELAS																																																												
<p>• = GO 200A SET</p> <p>▲ = GO 200B SET</p>  <p>• GO 200A</p> <p>▲ GO 200B</p>			 <table border="1"> <thead> <tr> <th>mm</th> <th>inch</th> <th></th> <th></th> </tr> </thead> <tbody> <tr><td>4</td><td>5/32</td><td>M</td><td>CF 504</td></tr> <tr><td>5</td><td>3/16</td><td>M</td><td>CF 505</td></tr> <tr><td>6</td><td>1/4</td><td>M</td><td>CF 506</td></tr> <tr><td>7</td><td>9/32</td><td>M</td><td>CF 507</td></tr> <tr><td>8</td><td>5/16</td><td>M</td><td>CF 508</td></tr> <tr><td>9</td><td>11/32</td><td>M</td><td>CF 509</td></tr> <tr><td>10</td><td>3/8</td><td>M - H</td><td>CF 510</td></tr> <tr><td>12</td><td>1/2</td><td>M</td><td>CF 512</td></tr> <tr><td>14</td><td>9/16</td><td>M</td><td>CF 512</td></tr> <tr><td>16</td><td>5/8</td><td>M</td><td>CF 515</td></tr> <tr><td>20</td><td>3/4</td><td>M</td><td></td></tr> <tr><td>25</td><td>1</td><td>M</td><td></td></tr> <tr><td>30</td><td>1 - 3/16</td><td>M</td><td></td></tr> <tr><td>35</td><td>1 - 3/8</td><td>M</td><td></td></tr> </tbody> </table>	mm	inch			4	5/32	M	CF 504	5	3/16	M	CF 505	6	1/4	M	CF 506	7	9/32	M	CF 507	8	5/16	M	CF 508	9	11/32	M	CF 509	10	3/8	M - H	CF 510	12	1/2	M	CF 512	14	9/16	M	CF 512	16	5/8	M	CF 515	20	3/4	M		25	1	M		30	1 - 3/16	M		35	1 - 3/8	M		
mm	inch																																																															
4	5/32	M	CF 504																																																													
5	3/16	M	CF 505																																																													
6	1/4	M	CF 506																																																													
7	9/32	M	CF 507																																																													
8	5/16	M	CF 508																																																													
9	11/32	M	CF 509																																																													
10	3/8	M - H	CF 510																																																													
12	1/2	M	CF 512																																																													
14	9/16	M	CF 512																																																													
16	5/8	M	CF 515																																																													
20	3/4	M																																																														
25	1	M																																																														
30	1 - 3/16	M																																																														
35	1 - 3/8	M																																																														
		<p>A RICHIESTA: GUIDE FUORI MISURA ON REQUEST: ALL THE OTHER SIZES</p>																																																														
GO 201 SET	SPRING HEMMER WITH FOOT	ORLATORE SEMPLICE CON MOLLA COMPLETO DI PIEDINO	RABATTEUR SIMPLE AVEC RESSORT COMPLET AVEC PIED-DE-BICHE	ORILLADOR SIMPLE CON MUELLE COMPLETO DE PRENSATELAS																																																												
<p>• = GO 201A SET</p> <p>▲ = GO 201B SET</p>  <p>• GO 201A</p> <p>▲ GO 201B</p> <p>• = GO 200 SET</p>			 <table border="1"> <thead> <tr> <th>mm</th> <th>inch</th> <th></th> <th></th> </tr> </thead> <tbody> <tr><td>5</td><td>3/16</td><td>M</td><td>CF 505</td></tr> <tr><td>7</td><td>9/32</td><td>M</td><td>CF 507</td></tr> </tbody> </table>	mm	inch			5	3/16	M	CF 505	7	9/32	M	CF 507																																																	
mm	inch																																																															
5	3/16	M	CF 505																																																													
7	9/32	M	CF 507																																																													
		<p>A RICHIESTA: GUIDE FUORI MISURA ON REQUEST: ALL THE OTHER SIZES</p>																																																														

GO 202 SET	CORD HEMMING COMPLETE WITH FOOT	ORLATORE CON CORDA COMPLETO DI PIEDINO	GUIDE ORLEUR AVEC CORDONNET COMPLET AVEC PIED-DE-BICHE	ORILLADOR CON INSERCIÓN DE CORDON CON PRENSATELAS																				
 <p>• CF 202</p> <p>• GO 202</p> <p>• = GO 202 SET</p>																								
		<table border="1"> <thead> <tr> <th>mm</th> <th>inch</th> </tr> </thead> <tbody> <tr> <td>12</td> <td>15/32</td> </tr> <tr> <td>14</td> <td>9/16</td> </tr> <tr> <td>16</td> <td>5/8</td> </tr> </tbody> </table>	mm	inch	12	15/32	14	9/16	16	5/8	<table border="1"> <thead> <tr> <th>L</th> </tr> </thead> <tbody> <tr> <td>L</td> </tr> <tr> <td>L</td> </tr> <tr> <td>L</td> </tr> </tbody> </table>	L	L	L	L	<table border="1"> <thead> <tr> <th>mm</th> <th>inch</th> </tr> </thead> <tbody> <tr> <td>3</td> <td>1/8</td> </tr> <tr> <td>3</td> <td>1/8</td> </tr> <tr> <td>3</td> <td>1/8</td> </tr> </tbody> </table>	mm	inch	3	1/8	3	1/8	3	1/8
mm	inch																							
12	15/32																							
14	9/16																							
16	5/8																							
L																								
L																								
L																								
L																								
mm	inch																							
3	1/8																							
3	1/8																							
3	1/8																							
		<p>A RICHIESTA: GUIDE FUORI MISURA ON REQUEST: ALL THE OTHER SIZES</p>																						

GO 203 SET	AIR JET HEMMER AND FOOT	ORLATORE CON APPARECCHIATURA PNEUMATICA E PIEDINO	OURLEUR AVEC DISPOSITIF PNEUMATIQUE ET PIED-DE-BICHE	ORILLADOR COMPLETO DE PRENSATELAS Y DISPOSITIVO NEUMATICO															
 <p>• GO 203</p> <p>• CF 1004</p> <p>• = GO 203 SET</p>																			
		<table border="1"> <thead> <tr> <th>mm</th> <th>inch</th> </tr> </thead> <tbody> <tr> <td>4</td> <td>5/32</td> </tr> <tr> <td>6</td> <td>1/4</td> </tr> <tr> <td>10</td> <td>3/8</td> </tr> </tbody> </table>	mm	inch	4	5/32	6	1/4	10	3/8	<table border="1"> <thead> <tr> <th>M</th> </tr> </thead> <tbody> <tr> <td>M</td> </tr> <tr> <td>M</td> </tr> <tr> <td>M</td> </tr> </tbody> </table>	M	M	M	M	<table border="1"> <tbody> <tr> <td>CF 504</td> </tr> <tr> <td>CF 506</td> </tr> <tr> <td>CF 510</td> </tr> </tbody> </table>	CF 504	CF 506	CF 510
mm	inch																		
4	5/32																		
6	1/4																		
10	3/8																		
M																			
M																			
M																			
M																			
CF 504																			
CF 506																			
CF 510																			
		<p>A RICHIESTA: GUIDE FUORI MISURA ON REQUEST: ALL THE OTHER SIZES</p>																	

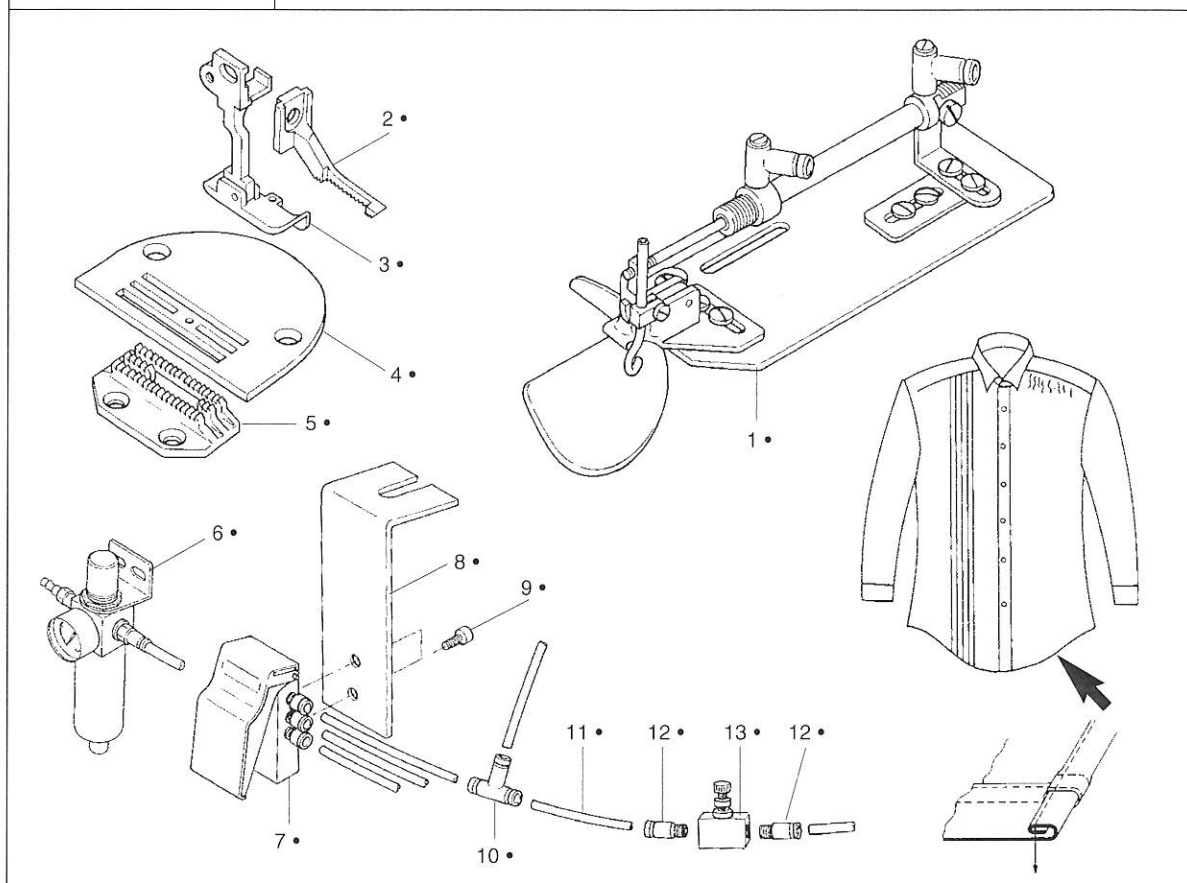
GO 204 SET
= CF U1021

DISENGAGEABLE
HEMMER FOR
SHIRT BOTTOM
HEM

ORLATORE APRIBILE
PER ORLO FONDO
CAMICIA

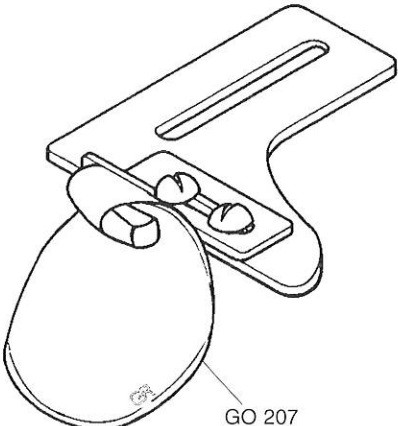


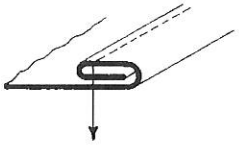
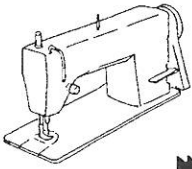

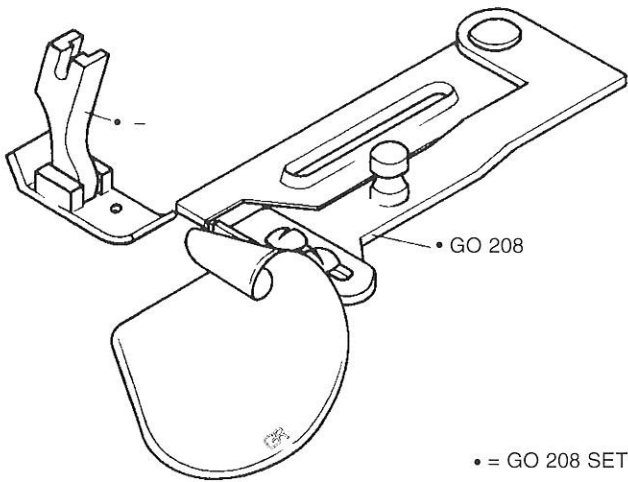

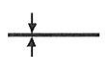

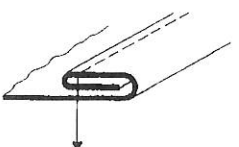
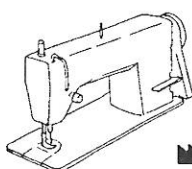

OURLEUR OUBRABLE
POUR OURLET AU
FOND DES
CHEMISES

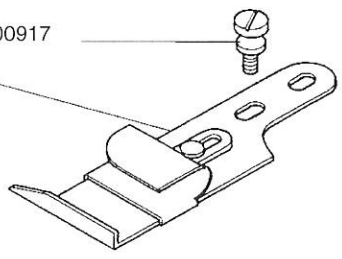
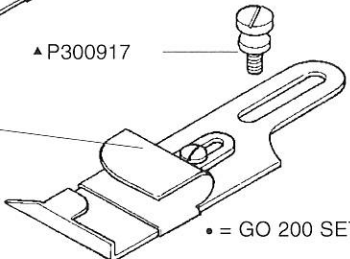

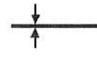
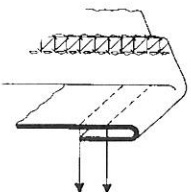
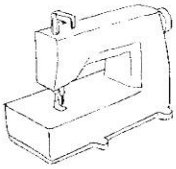
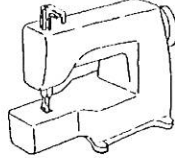
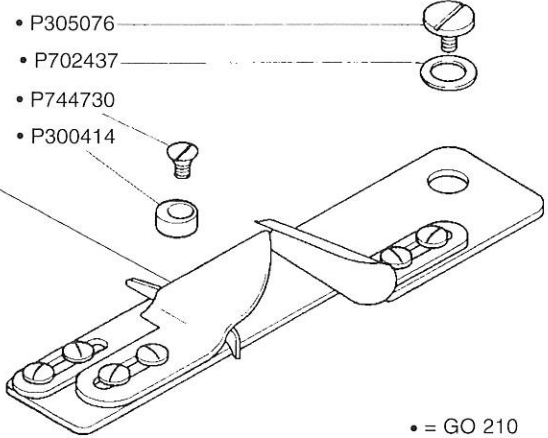
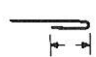

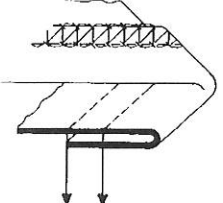
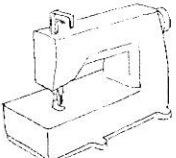
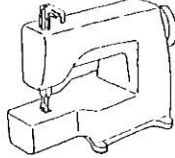
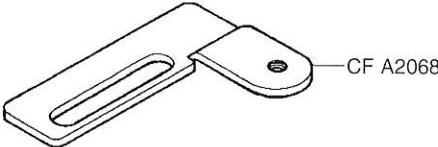
GUIA DESPLAZABLE
PARA ORILLO
CAMISETA

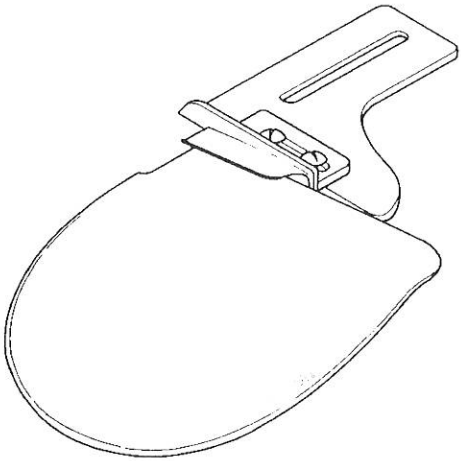
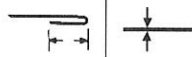
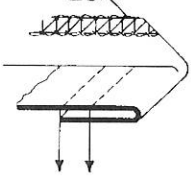
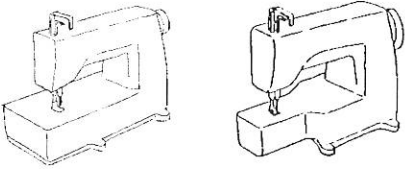


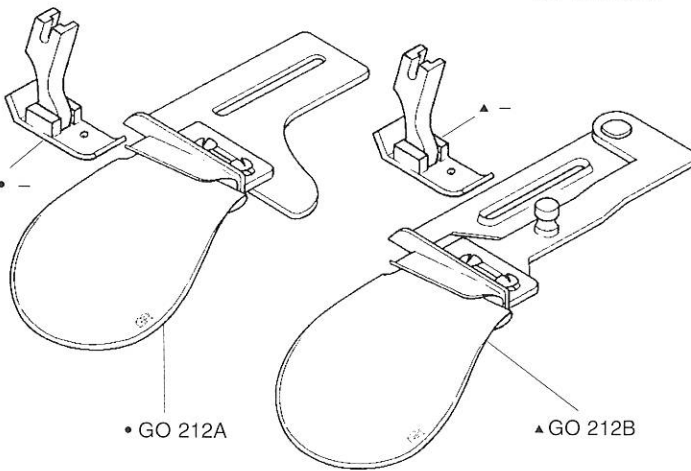
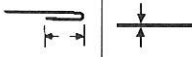

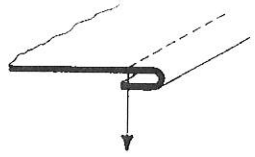
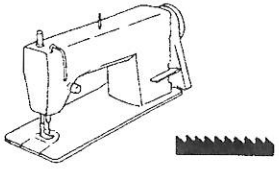
Pos.	Code No. BROTHER B774	Code No. JUKI DLU 5490
•	CF U1021/2	CF U1021/1
1	GO 204	GO 204
2	B 11006	T 51025
3	B 11005	T 51024
4	B 11007	T 51022
5	B 11008	T 51023
6	P923958	P923358
7	CF A1066	CF A1066
8	CF A1067	CF A1067
9	CF A1077	CF A1077
10	CF A2322	CF A2322
11	BM 924886	BM 924886
12	CF A2023	CF A2023
13	P927110	P927110

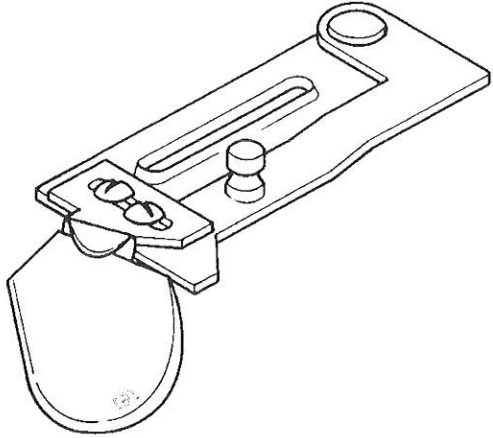
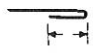
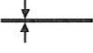
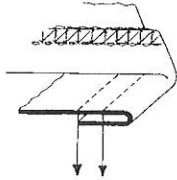
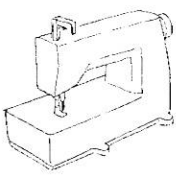
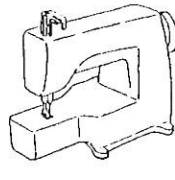
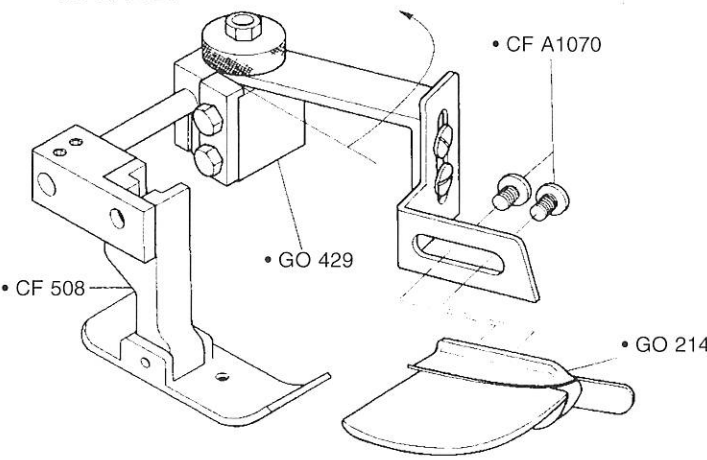

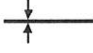

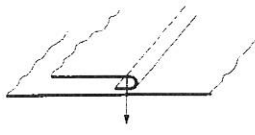
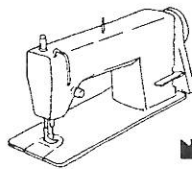

				BROTHER KIT N.	JUKI KIT N.	A RICHIESTA: GUIDE FUORI MISURA ON REQUEST: ALL THE OTHER SIZES
mm	inch					
6	1/4	M		CF U1021/2-1	CF U1021/1-1	
8	5/16	M		CF U1021/2-2	CF U1021/1-2	

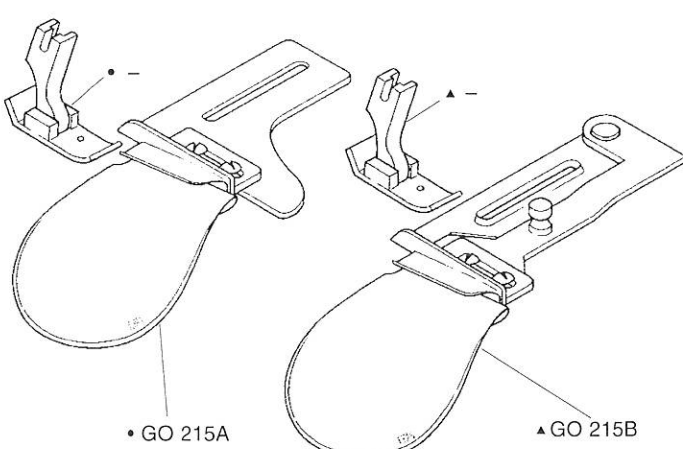

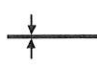

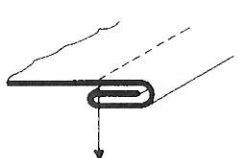
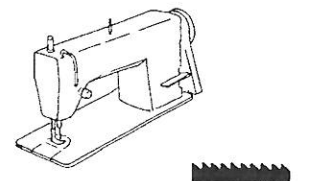
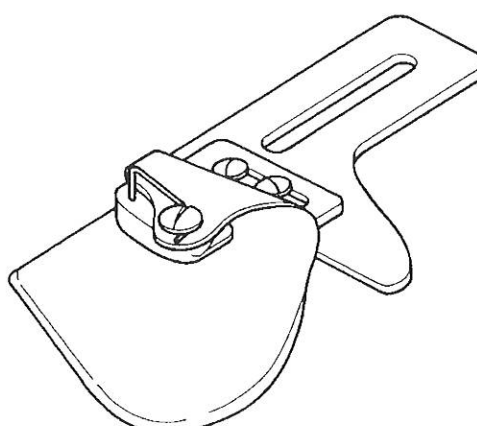


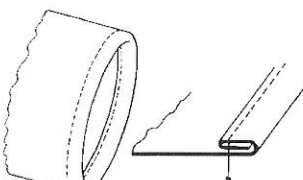
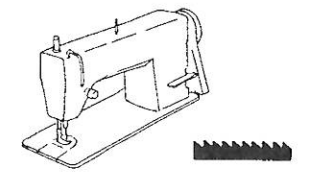
<p>GO 207</p>	<p>HEMMER FOR CURVED AND STRAIGHT POCKETS</p>	<p>ORLATORE PER TASCHE CURVE E DIRITTE</p>	<p>GUIDE OURLEUR POUR POCHE COURBES ET DROITES</p>	<p>ORILLADOR PARA BOLSILLOS CURVOS Y RECTOS</p>															
 <p>GO 207</p> <p>• = GO 200 SET</p>			 <table border="1" data-bbox="917 436 1021 515"> <tr> <td>mm</td> <td>inch</td> </tr> <tr> <td>10</td> <td>3/8</td> </tr> <tr> <td>12</td> <td>1/2</td> </tr> </table>	mm	inch	10	3/8	12	1/2	 <table border="1" data-bbox="1037 448 1141 515"> <tr> <td>H</td> </tr> <tr> <td>H</td> </tr> </table>	H	H							
mm	inch																		
10	3/8																		
12	1/2																		
H																			
H																			
	 	<p>A RICHIESTA: GUIDE FUORI MISURA ON REQUEST: ALL THE OTHER SIZES</p>																	
<p>GO 208 SET</p>	<p>HEMMER FOR BATH-TOWELS WITH FOOT</p>	<p>ORLATORE PER CIMOSA DI SPUGNA CON PIEDINO</p>	<p>GUIDE OURLEUR POUR TISSU- EPONGE AVEC PIED-DE-BICHE</p>	<p>ORILLADOR PARA ACABADOS EN TEJIDO DE RIZO CON PRENSATELAS</p>															
 <p>GO 208</p> <p>• = GO 208 SET</p>			 <table border="1" data-bbox="917 1344 1021 1444"> <tr> <td>mm</td> <td>inch</td> </tr> <tr> <td>6</td> <td>1/4</td> </tr> <tr> <td>8</td> <td>5/16</td> </tr> <tr> <td>10</td> <td>3/8</td> </tr> </table>	mm	inch	6	1/4	8	5/16	10	3/8	 <table border="1" data-bbox="1037 1366 1141 1444"> <tr> <td>M</td> </tr> <tr> <td>M</td> </tr> <tr> <td>M</td> </tr> </table>	M	M	M	 <table border="1" data-bbox="1173 1366 1252 1444"> <tr> <td>CF 506</td> </tr> <tr> <td>CF 508</td> </tr> <tr> <td>CF 510</td> </tr> </table>	CF 506	CF 508	CF 510
mm	inch																		
6	1/4																		
8	5/16																		
10	3/8																		
M																			
M																			
M																			
CF 506																			
CF 508																			
CF 510																			
	 	<p>A RICHIESTA: GUIDE FUORI MISURA ON REQUEST: ALL THE OTHER SIZES</p>																	

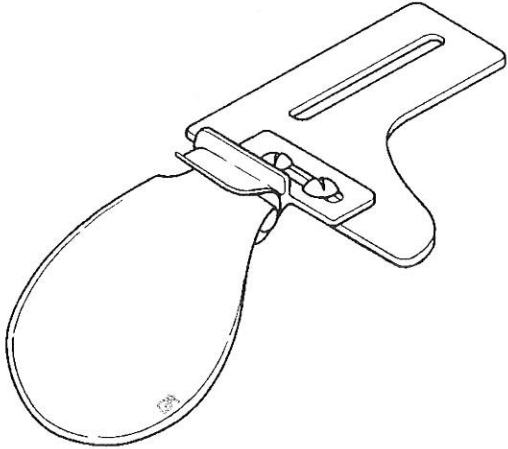

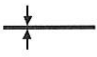

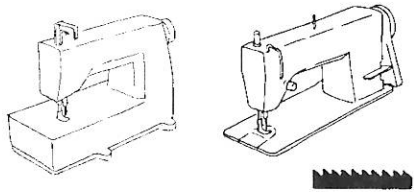
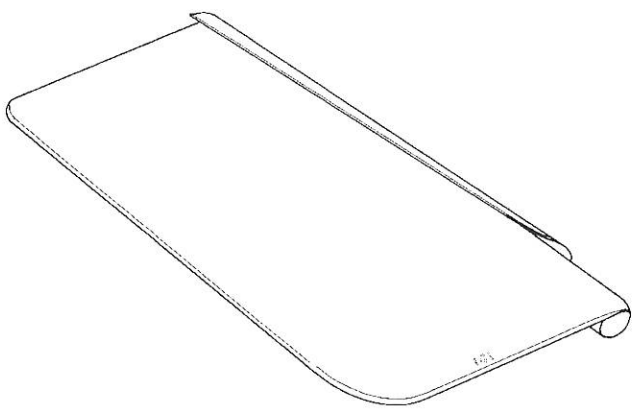
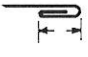
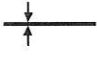
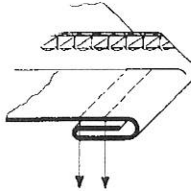
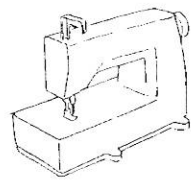
<p>GO 209 GO 209/1</p>	<p>HEMMER FOR KNITTED FABRIC</p>	<p>ORLATORE PER MAGLIERIA</p>	<p>RABATTEUR POUR TISSU- A MAILLES</p>	<p>ORILLADOR PARA GENEROS DE PUNTO</p>
<p>• = GO 209</p> <ul style="list-style-type: none"> • P300917 • NF  <p>▲ = GO 209/1</p> <ul style="list-style-type: none"> ▲ P300917 ▲ NF  <p>• = GO 200 SET</p>	 <p>G0209 adjustable from 10 to 20 mm</p>  <p>M</p> <p>G0209/1 adjustable from 10 to 30 mm</p>			
				
<p>GO 210</p>	<p>SWING AND ADJUSTABLE HEMMER FOR SEWING TUBULAR KNITTED FABRIC</p>	<p>ORLATORE REGOLABILE E SGANCIABILE PER MAGLIERIA A CAPO CHIUSO</p>	<p>RABATTEUR REGLABLE ET ESCAMOTABLE POUR TISSU A MAILLES FERMEES</p>	<p>ORILLADOR REGULABLE Y ABATIBLE PARA GENEROS DE PUNTO A PRENDA CERRADA</p>
<ul style="list-style-type: none"> • P305076 • P702437 • P744730 • P300414 • NF  <p>• = GO 210</p>	 <p>Adjustable from 20 to 35 mm</p>  <p>MH</p> <p>Adjustable from 3/4 to 1-3/8 inch</p>			<p>A RICHIESTA: GUIDE FUORI MISURA ON REQUEST: ALL THE OTHER SIZES</p>
			 <p>CF A2068</p>	

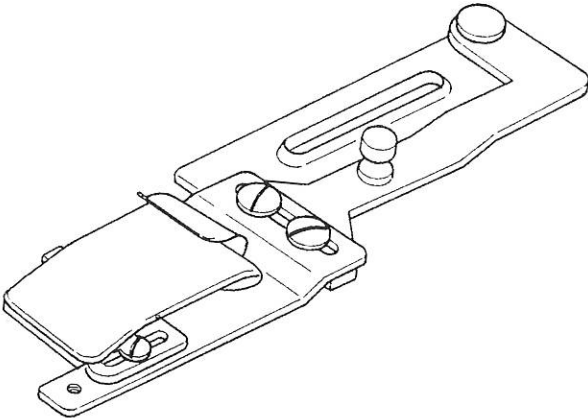

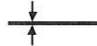
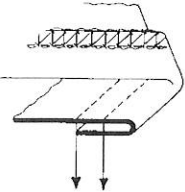
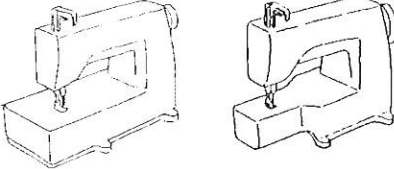
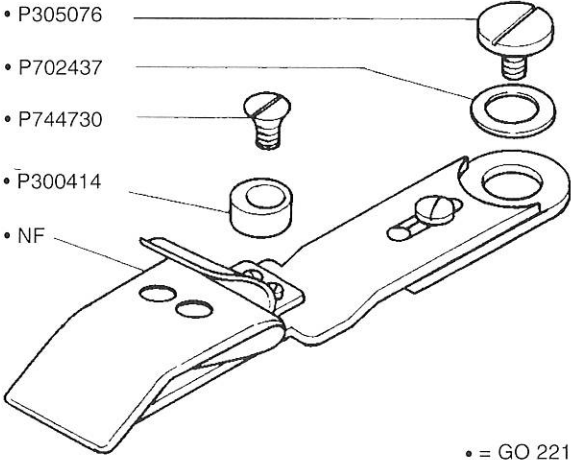


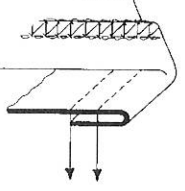
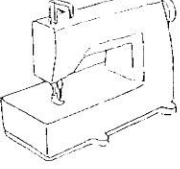
<p>GO 211</p>	<p>HEMMER FOR KNITTED FABRIC</p>	<p>ORLATORE PER MAGLIERIA A CAPO APERTO</p>	<p>RABATTEUR POUR TISSU A MAILLES</p>	<p>ORILLADOR PARA GENEROS DE PUNTO A PRENDA ABIERTA</p>																		
			 <table border="1" data-bbox="917 436 1125 582"> <thead> <tr> <th>mm</th> <th>inch</th> <th></th> </tr> </thead> <tbody> <tr> <td>20</td> <td>3/4</td> <td>M - H</td> </tr> <tr> <td>25</td> <td>1</td> <td>M - H</td> </tr> <tr> <td>30</td> <td>1 - 3/16</td> <td>M - H</td> </tr> <tr> <td>35</td> <td>1 - 3/8</td> <td>M - H</td> </tr> <tr> <td>40</td> <td>1 - 9/16</td> <td>M - H</td> </tr> </tbody> </table>	mm	inch		20	3/4	M - H	25	1	M - H	30	1 - 3/16	M - H	35	1 - 3/8	M - H	40	1 - 9/16	M - H	
mm	inch																					
20	3/4	M - H																				
25	1	M - H																				
30	1 - 3/16	M - H																				
35	1 - 3/8	M - H																				
40	1 - 9/16	M - H																				
			<p>A RICHIESTA: GUIDE FUORI MISURA ON REQUEST: ALL THE OTHER SIZES</p>																			

<p>GO 212 SET</p>	<p>DOWNTURN HEMMER WITH FOOT</p>	<p>ORLATORE COMPLETO DI PIEDINO</p>	<p>RABATTEUR AVEC PIED-DE-BICHE</p>	<p>ORILLADOR CON PRENSATELAS</p>																								
<p>• = GO 212A SET ▲ = GO 212B SET</p>  <p>• GO 212A ▲ GO 212B</p>			 <table border="1" data-bbox="917 1355 1125 1500"> <thead> <tr> <th>mm</th> <th>inch</th> <th></th> <th></th> </tr> </thead> <tbody> <tr> <td>6</td> <td>1/4</td> <td>M</td> <td>CF 506</td> </tr> <tr> <td>8</td> <td>5/16</td> <td>M</td> <td>CF 508</td> </tr> <tr> <td>10</td> <td>3/8</td> <td>M - H</td> <td>CF 510</td> </tr> <tr> <td>12</td> <td>1/2</td> <td>M</td> <td>CF 512</td> </tr> <tr> <td>15</td> <td>5/8</td> <td>M - H</td> <td>CF 515</td> </tr> </tbody> </table>	mm	inch			6	1/4	M	CF 506	8	5/16	M	CF 508	10	3/8	M - H	CF 510	12	1/2	M	CF 512	15	5/8	M - H	CF 515	
mm	inch																											
6	1/4	M	CF 506																									
8	5/16	M	CF 508																									
10	3/8	M - H	CF 510																									
12	1/2	M	CF 512																									
15	5/8	M - H	CF 515																									
			<p>A RICHIESTA: GUIDE FUORI MISURA ON REQUEST: ALL THE OTHER SIZES</p>																									

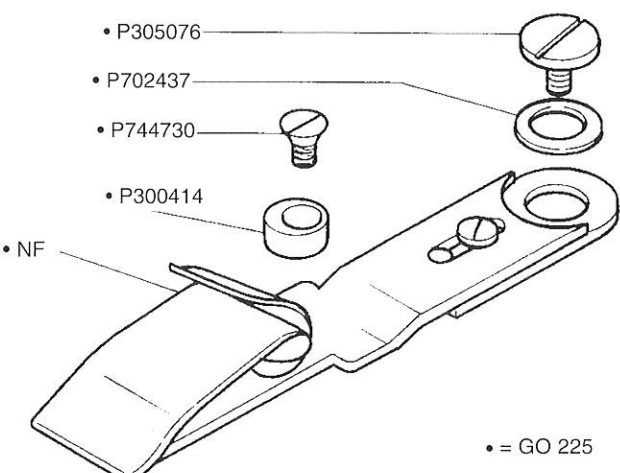
<p>GO 213</p>	<p>DOWNTURN HEMMER FOR KNITTED GOODS, T-SHIRTS, ETC.</p>	<p>ORLATORE PER "GIRO COLLO" MAGLIETTE</p>	<p>GUIDE RABATTEUR SIMPLE POUR ARTICLES EN MAILLE COURVES</p>	<p>ORILLADOR PARA EL ACABADO DEL CUELLO</p>									
													
<table border="0"> <tr> <td>mm</td> <td>inch</td> <td></td> </tr> <tr> <td>10</td> <td>3/8</td> <td>M</td> </tr> <tr> <td>12</td> <td>1/2</td> <td>M</td> </tr> </table>		mm	inch		10	3/8	M	12	1/2	M			
mm	inch												
10	3/8	M											
12	1/2	M											
			<p>A RICHIESTA: GUIDE FUORI MISURA ON REQUEST: ALL THE OTHER SIZES</p>										
<p>GO 214 SET</p>	<p>DOWNTURN HEMMER WITH BRACKET AND FOOT</p>	<p>ORLATORE COMPLETO DI ATTACCO E PIEDINO</p>	<p>GUIDE RABATTEUR AVEC FIXATION ET PIED-DE-BICHE</p>	<p>ORILLADOR CON MONTAJE Y PRENSATELAS</p>									
<p>• = GO 214 SET</p>  <p>• CF A1070</p> <p>• GO 429</p> <p>• CF 508</p> <p>• GO 214</p>													
<table border="0"> <tr> <td>mm</td> <td>inch</td> <td></td> </tr> <tr> <td>8</td> <td>5/16</td> <td>M</td> </tr> </table>		mm	inch		8	5/16	M			<p>CF 508</p>			
mm	inch												
8	5/16	M											
			<p>A RICHIESTA: GUIDE FUORI MISURA ON REQUEST: ALL THE OTHER SIZES</p>										


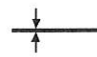
GO 215 SET	DOWNTURN HEMMER WITH FOOT	ORLATORE COMPLETO DI PIEDINO	GUIDE OURLEUR AVEC PIED-DE-BICHE	ORILLADOR CON PRENSATELAS																															
<p>• = GO 215A SET ▲ = GO 215B SET</p>  <p>• GO 215A ▲ GO 215B</p>	 <table border="1"> <thead> <tr> <th>mm</th> <th>inch</th> <th>MH</th> <th>CF</th> </tr> </thead> <tbody> <tr><td>6</td><td>1/4</td><td>MH</td><td>CF 506</td></tr> <tr><td>7</td><td>9/32</td><td>MH</td><td>CF 507</td></tr> <tr><td>8</td><td>5/16</td><td>MH</td><td>CF 508</td></tr> <tr><td>9</td><td>11/32</td><td>MH</td><td>CF 509</td></tr> <tr><td>10</td><td>3/8</td><td>MH</td><td>CF 510</td></tr> <tr><td>12</td><td>1/2</td><td>MH</td><td>CF 512</td></tr> <tr><td>15</td><td>5/8</td><td>MH</td><td>CF 515</td></tr> </tbody> </table>	mm	inch	MH	CF	6	1/4	MH	CF 506	7	9/32	MH	CF 507	8	5/16	MH	CF 508	9	11/32	MH	CF 509	10	3/8	MH	CF 510	12	1/2	MH	CF 512	15	5/8	MH	CF 515		
mm	inch	MH	CF																																
6	1/4	MH	CF 506																																
7	9/32	MH	CF 507																																
8	5/16	MH	CF 508																																
9	11/32	MH	CF 509																																
10	3/8	MH	CF 510																																
12	1/2	MH	CF 512																																
15	5/8	MH	CF 515																																
		<p>A RICHIESTA: GUIDE FUORI MISURA ON REQUEST: ALL THE OTHER SIZES</p>																																	
GO 216	SWINGABLE SPRING HEMMER FOR TUBULAR GARMENTS	ORLATORE CON MOLLA SGANCIAMENTO PER LAVORAZIONI A CAPO CHIUSO	OURLEUR AVEC RESSORT ESCAMOTABLE POUR VETEMENTS FINIS	ORILLADOR CON MUELLE ABATIBLE PARA PRENDA CERRADA																															
 <p>• = GO 200 SET</p>	 <table border="1"> <thead> <tr> <th>mm</th> <th>inch</th> <th>M</th> <th>H</th> </tr> </thead> <tbody> <tr><td>10</td><td>3/8</td><td>M</td><td></td></tr> <tr><td>10</td><td>3/8</td><td></td><td>H</td></tr> <tr><td>14</td><td>9/16</td><td>M</td><td></td></tr> <tr><td>14</td><td>9/16</td><td></td><td>H</td></tr> </tbody> </table>	mm	inch	M	H	10	3/8	M		10	3/8		H	14	9/16	M		14	9/16		H														
mm	inch	M	H																																
10	3/8	M																																	
10	3/8		H																																
14	9/16	M																																	
14	9/16		H																																
		<p>A RICHIESTA: GUIDE FUORI MISURA ON REQUEST: ALL THE OTHER SIZES</p>																																	

<p>GO 217</p>	<p>DOWNTURN HEMMER FOR CURVED AND STRAIGHT POCKETS</p>	<p>ORLATORE PER TASCHE CURVE E DIRITTE</p>	<p>GUIDE OURLEUR POUR POCHES COURBES ET DROITES</p>	<p>ORILLADOR PARA BOLSILLOS CURVOS Y RECTOS</p>												
																
<table border="1"> <tr> <td>mm</td> <td>inch</td> <td></td> </tr> <tr> <td>8</td> <td>5/16</td> <td>H</td> </tr> <tr> <td>10</td> <td>3/8</td> <td>H</td> </tr> <tr> <td>12</td> <td>1/2</td> <td>H</td> </tr> </table>		mm	inch		8	5/16	H	10	3/8	H	12	1/2	H			
mm	inch															
8	5/16	H														
10	3/8	H														
12	1/2	H														
		<p>A RICHIESTA: GUIDE FUORI MISURA ON REQUEST: ALL THE OTHER SIZES</p>														
<p>GO 219</p>	<p>DOWNTURN HEMMER FOR JEANS PATCH-POCKETS</p>	<p>ORLATORE PER TASCHE DIRITTE DROITES</p>	<p>GUIDE OURLEUR POUR POCHES RECTOS</p>	<p>ORILLADOR PARA BOLSILLOS</p>												
																
<table border="1"> <tr> <td>mm</td> <td>inch</td> <td></td> </tr> <tr> <td>12</td> <td>1/2</td> <td>H</td> </tr> </table>		mm	inch		12	1/2	H									
mm	inch															
12	1/2	H														
		<p>A RICHIESTA: GUIDE FUORI MISURA ON REQUEST: ALL THE OTHER SIZES</p>														

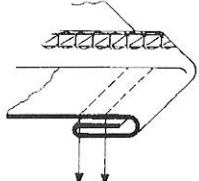
<p>GO 220</p>	<p>DOWNTURN SWING HEMMER</p>	<p>ORLATORE SGANCIABILE</p>	<p>GUIDE OURLEUR ESCAMOTABLE</p>	<p>ORILLADOR ABATIBLE</p>	
					
<p>from 8 mm to 35 mm</p> <p>from 5/16 to 1-3/8 inch</p>				<p>M</p>	
			<p>A RICHIESTA: GUIDE FUORI MISURA ON REQUEST: ALL THE OTHER SIZES</p>		
<p>GO 221</p>	<p>DOWNTURN SWING AND ADJUSABLE HEMMER FOR KNITTED FABRIC</p>	<p>ORLATORE REGOLABILE E SGANCIABILE PER MAGLIERIA</p>	<p>GUIDE RABATTEUR REGLABLE ET ESCAMOTABLE</p>	<p>ORILLADOR REGULABLE Y ABATIBLE PARA GENEROS DE PUNTO</p>	
<ul style="list-style-type: none"> • P305076 • P702437 • P744730 • P300414 • NF  <p>• = GO 221</p>					
<p>Adjustable from 8 to 15 mm</p> <p>Adjustable from 5/6 to 5/8 inch</p>				<p>M</p>	
			<p>A RICHIESTA: GUIDE FUORI MISURA ON REQUEST: ALL THE OTHER SIZES</p>		

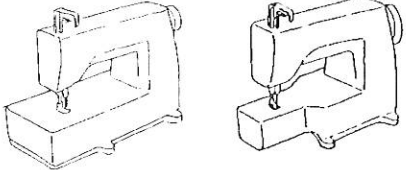
GO 225	DOWNTURN SWING HEMMER	ORLATORE SGANCIABILE	GUIDE OURLEUR ESCAMOTABLE	ORILLADOR ABATIBLE
---------------	--------------------------	-------------------------	------------------------------	-----------------------

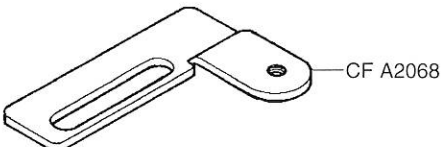


					
mm	inch	M	H		
8	5/16	M	H		
10	3/8	M	H		
12	1/2	M	H		

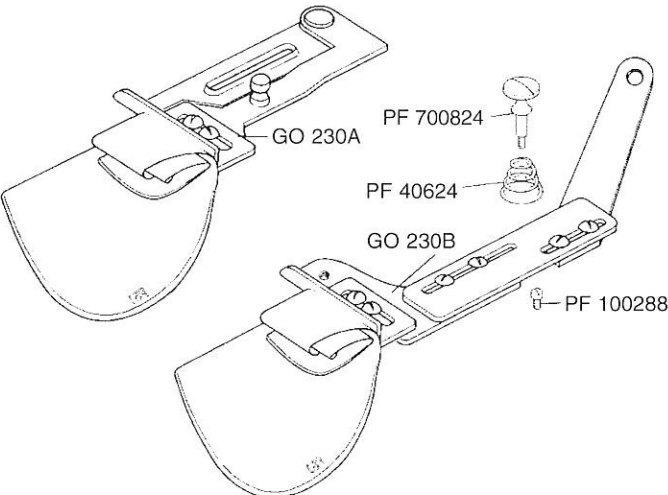
**A RICHIESTA:
GUIDE FUORI MISURA
ON REQUEST:
ALL THE OTHER SIZES**





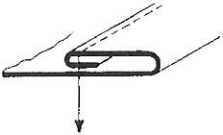


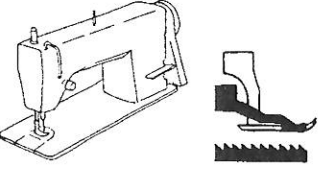


GO 230	SWING HEMMER	ORLATORE SGANCIABILE	GUIDE OURLEUR ESCAMOTABLE	ORILLADOR ABATIBLE
---------------	--------------	-------------------------	------------------------------	-----------------------

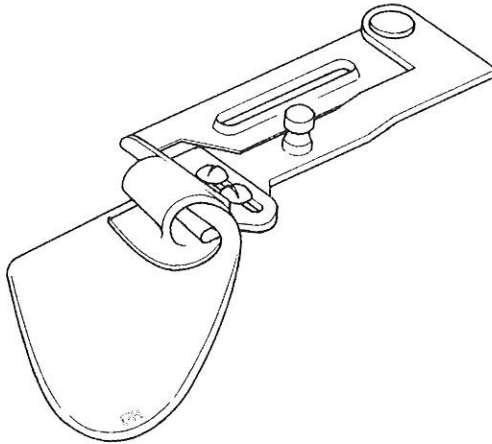
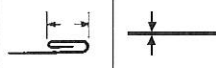
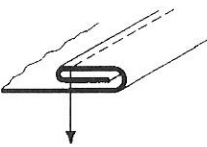
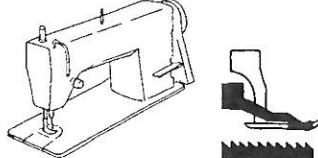


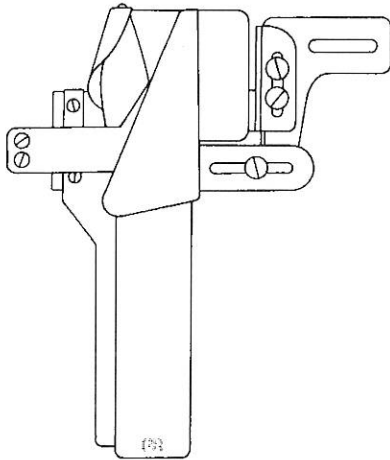
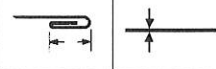

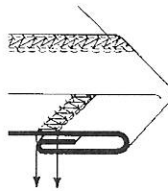
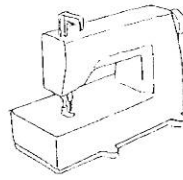
					
GO 230A		GO 230B			
mm	inch	mm	inch	M	
15	19/32	30	1-3/16	M	
18	23/32	35	1-3/8	M	
20	35/32	40	1-9/16	M	
22	7/8	45	1-3/4	M	
25	1	50	2	M	

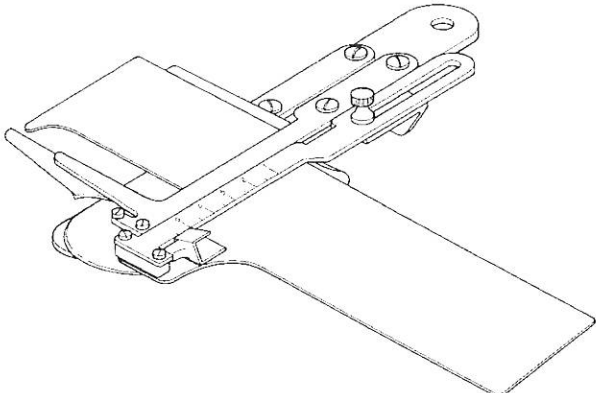
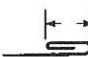
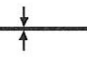
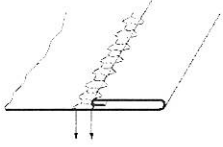
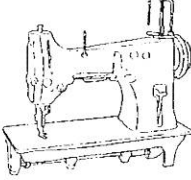
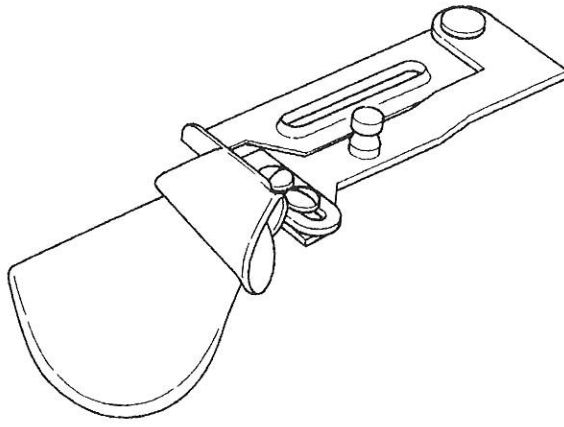

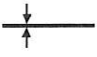
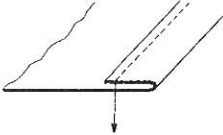
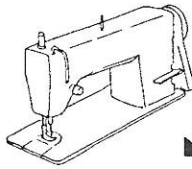


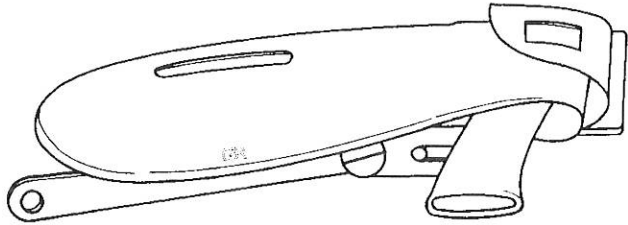
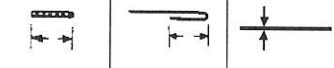
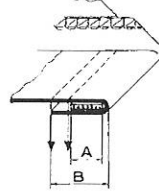
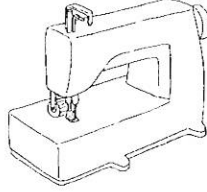


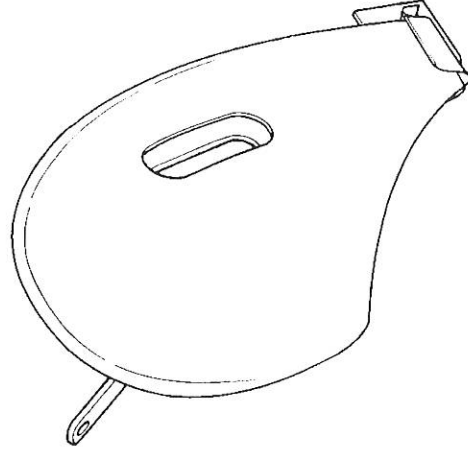
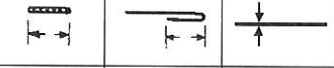
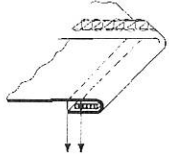
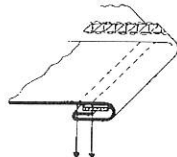
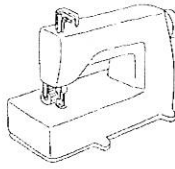
**A RICHIESTA:
GUIDE FUORI MISURA
ON REQUEST:
ALL THE OTHER SIZES**

GO 231	SWING HEMMER FOR BATH WRAPS	ORLATORE PER SPUGNA	GUIDE OURLEUR POUR TISSU EPONGE	ORILLADOR DOBLE PARA TEJIDO DE RIZO																															
		 <table border="1" data-bbox="917 436 1133 660"> <thead> <tr> <th>mm</th> <th>inch</th> <th></th> </tr> </thead> <tbody> <tr><td>12</td><td>1/2</td><td>XH</td></tr> <tr><td>15</td><td>5/8</td><td>XH</td></tr> <tr><td>20</td><td>3/4</td><td>XH</td></tr> <tr><td>25</td><td>1</td><td>XH</td></tr> <tr><td>30</td><td>1-3/16</td><td>XH</td></tr> <tr><td>35</td><td>1-3/8</td><td>XH</td></tr> <tr><td>40</td><td>1-9/16</td><td>XH</td></tr> <tr><td>45</td><td>1-3/4</td><td>XH</td></tr> <tr><td>50</td><td>2</td><td>XH</td></tr> </tbody> </table>		mm	inch		12	1/2	XH	15	5/8	XH	20	3/4	XH	25	1	XH	30	1-3/16	XH	35	1-3/8	XH	40	1-9/16	XH	45	1-3/4	XH	50	2	XH		
mm	inch																																		
12	1/2	XH																																	
15	5/8	XH																																	
20	3/4	XH																																	
25	1	XH																																	
30	1-3/16	XH																																	
35	1-3/8	XH																																	
40	1-9/16	XH																																	
45	1-3/4	XH																																	
50	2	XH																																	
		<p>A RICHIESTA: GUIDE FUORI MISURA ON REQUEST: ALL THE OTHER SIZES</p>																																	

GO 232	ADJUSTABLE DOWNTURN HEMMER	ORLATORE REGOLABILE	GUIDE OURLEUR REGLABLE	ORILLADOR REGULABLE					
		 <table border="1" data-bbox="917 1355 1133 1568"> <tbody> <tr> <td>Adjustable from 30 to 65 mm</td> <td>M</td> </tr> <tr> <td>Adjustable from 1-3/16 to 2-9/16 inch</td> <td></td> </tr> </tbody> </table>		Adjustable from 30 to 65 mm	M	Adjustable from 1-3/16 to 2-9/16 inch			
Adjustable from 30 to 65 mm	M								
Adjustable from 1-3/16 to 2-9/16 inch									
			<p>A RICHIESTA: GUIDE FUORI MISURA ON REQUEST: ALL THE OTHER SIZES</p>						

<p>GO 233</p>	<p>ADJUSTABLE HEMMER FOR OPEN-STITCH MACHINES</p>	<p>ORLATORE REGOLABILE PER MACCHINE PUNTO A GIORNO</p>	<p>GUIDE OURLEUR REGLABLE POUR MACHINES A JOUR</p>	<p>ORILLADOR REGULABLE PARA MAQUINAS DE PUNTO DE ADORNO</p>														
																		
	<p>GO 233A Adjustable from 10 to 40 mm</p>	<p>GO 233B Adjustable from 40 to 80 mm</p>	<p>M</p>															
<p>Adjustable from 3/8 to 1-3/16 inch</p>	<p>Adjustable from 1-9/16 to 3-1/8 inch</p>																	
		<p>A RICHIESTA: GUIDE FUORI MISURA ON REQUEST: ALL THE OTHER SIZES</p>																
<p>GO 234</p>	<p>SWINGABLE SINGLE HEMMER FOR STIFF OR PLASTIC MATERIAL</p>	<p>ORLATORE SEMPLICE SGANCIABILE PER MATERIALI PLASTICI O RIGIDI</p>	<p>OURLEUR SIMPLE ESCAMOTABLE POUR TISSUS RIGIDES OU EN PLASTIQUE</p>	<p>ORILLADOR SIMPLE ABATIBLE PARA MATERIALES PLASTICOS O RIGIDOS</p>														
																		
	<table border="0"> <tr> <td>mm</td> <td>inch</td> <td></td> </tr> <tr> <td>15</td> <td>5/8</td> <td>XH</td> </tr> <tr> <td>20</td> <td>3/4</td> <td>XH</td> </tr> <tr> <td>25</td> <td>1</td> <td>XH</td> </tr> <tr> <td>30</td> <td>1-3/16</td> <td>XH</td> </tr> </table>	mm	inch		15	5/8	XH	20	3/4	XH	25	1	XH	30	1-3/16	XH		
mm	inch																	
15	5/8	XH																
20	3/4	XH																
25	1	XH																
30	1-3/16	XH																
		<p>A RICHIESTA: GUIDE FUORI MISURA ON REQUEST: ALL THE OTHER SIZES</p>																

<p>GO 245</p>	<p>SINGLE DOWNTURN ELASTIC HEMMER</p>	<p>GUIDA PASSAELASTICO CON ORLO SEMPLICE</p>	<p>GUIDE SIMPLE RABATTEUR POUR LA POSE D' ELASTIQUE</p>	<p>GUIA PASAGOMAS CON ORILLA SIMPLE</p>																																								
			 <table border="1"> <thead> <tr> <th>mm</th> <th>inch</th> <th>mm</th> <th>inch</th> <th></th> </tr> </thead> <tbody> <tr> <td>6</td> <td>1/4</td> <td>10</td> <td>3/8</td> <td>L</td> </tr> <tr> <td>6</td> <td>1/4</td> <td>11</td> <td>7/16</td> <td>M</td> </tr> <tr> <td>6</td> <td>1/4</td> <td>13</td> <td>1/2</td> <td>H</td> </tr> <tr> <td>8-12</td> <td>5/16-1/2</td> <td>16</td> <td>5/8</td> <td>M - H</td> </tr> <tr> <td>12-16</td> <td>1/2-5/8</td> <td>20</td> <td>3/4</td> <td>M - H</td> </tr> <tr> <td>18-23</td> <td>11/16-15/16</td> <td>27</td> <td>1-1/16</td> <td>M - H</td> </tr> <tr> <td>23-26</td> <td>29/32-1</td> <td>30</td> <td>1-3/16</td> <td>M - H</td> </tr> </tbody> </table>	mm	inch	mm	inch		6	1/4	10	3/8	L	6	1/4	11	7/16	M	6	1/4	13	1/2	H	8-12	5/16-1/2	16	5/8	M - H	12-16	1/2-5/8	20	3/4	M - H	18-23	11/16-15/16	27	1-1/16	M - H	23-26	29/32-1	30	1-3/16	M - H	
mm	inch	mm	inch																																									
6	1/4	10	3/8	L																																								
6	1/4	11	7/16	M																																								
6	1/4	13	1/2	H																																								
8-12	5/16-1/2	16	5/8	M - H																																								
12-16	1/2-5/8	20	3/4	M - H																																								
18-23	11/16-15/16	27	1-1/16	M - H																																								
23-26	29/32-1	30	1-3/16	M - H																																								
		<p>A RICHIESTA: GUIDE FUORI MISURA ON REQUEST: ALL THE OTHER SIZES</p>																																										

<p>GO 247/1 GO 247/2</p>	<p>DOWNTURN ELASTIC HEMMER FOR LEGGING PANTS</p>	<p>GUIDA PASSAELASTICO PER GAMBALE SLIP</p>	<p>GUIDE POUR LA POSE D' ELASTIQUE SUR LES SLIP</p>	<p>GUIA PASAGOMAS PARA SLIP</p>																				
			 <table border="1"> <thead> <tr> <th>mm</th> <th>inch</th> <th>mm</th> <th>inch</th> <th></th> </tr> </thead> <tbody> <tr> <td>6</td> <td>1/4</td> <td>8</td> <td>5/16</td> <td>M</td> </tr> <tr> <td>8</td> <td>5/16</td> <td>10</td> <td>3/8</td> <td>M</td> </tr> <tr> <td>10</td> <td>3/8</td> <td>12</td> <td>15/32</td> <td>M</td> </tr> </tbody> </table>	mm	inch	mm	inch		6	1/4	8	5/16	M	8	5/16	10	3/8	M	10	3/8	12	15/32	M	
mm	inch	mm	inch																					
6	1/4	8	5/16	M																				
8	5/16	10	3/8	M																				
10	3/8	12	15/32	M																				
<p>GO 247/1</p> 	<p>GO 247/2</p> 		<p>A RICHIESTA: GUIDE FUORI MISURA ON REQUEST: ALL THE OTHER SIZES</p>																					

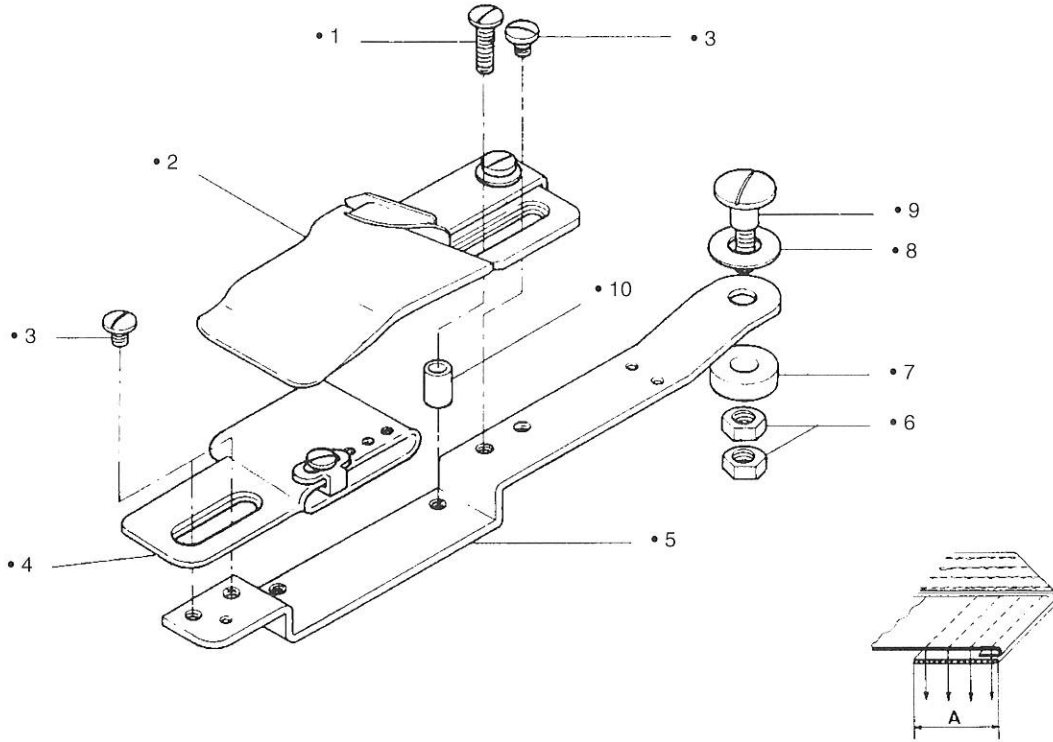
GO 248 SET

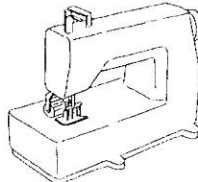
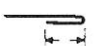

HEMMER FOR
WAIST BAND
WITH ELASTIC

ORLATORE PER
CINTURE CON
ELASTICO

RABATTEUR POUR
CEINTURE AVEC
INSERTION D' ELASTIQUE

ORILLADOR
PARA PRETINAS
CON ELASTICO



Pos.	Code No. UNION SPECIAL	Code No. RIMOLDI	Code No. KANSAI		
•	GO 248/1 SET	GO 248/2 SET	GO 248/3 SET		
1	CF A2070	CF A2070	CF A2070		
2	GO 246	GO 246	GO 246		
3	CF A2012	CF A2073	CF A2012		
4	GO 249/1	GO 249/2	GO 249/1		
5	GO 428	GO 427	GO 426		
6	P746407	-	-		
7	CF A2066	-	-		
8	P702437	-	-		
9	CF A2067	-	-		
10	CF A2071	CF A2071	CF A2071		
			"A" RIMOLDI		"A" KANSAI - UNION SPECIAL
	mm inch 10 3/8	M	mm inch 10÷35 3/8÷1-3/8	mm inch 10÷45 3/8÷1-3/8	

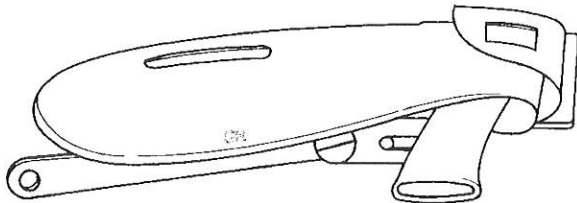
GO 250

DOUBLE
DOWNTURN
ELASTIC HEMMER

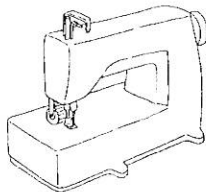
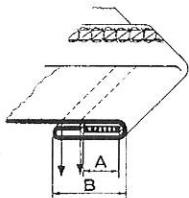
GUIDA
PASSAELASTICO
CON ORLO DOPPIO

GUIDE OURLEUR
DOUBLE POUR LA
POSE D'ELASTIQUE

GUIA PASAGOMAS
CON ORILLA
DOBLE



mm		inch			
6	1/4	10	3/8	L	
8	5/16	12	1/2	M	
8	5/16	14	9/16	H	
8	5/16	14	9/16	M	
12	1/2	16	5/8	M	
12	1/2	16	5/8	H	
16	5/8	20	3/4	M	
16	5/8	20	3/4	H	



**A RICHIESTA:
GUIDE FUORI MISURA**
ON REQUEST:
ALL THE OTHER SIZES

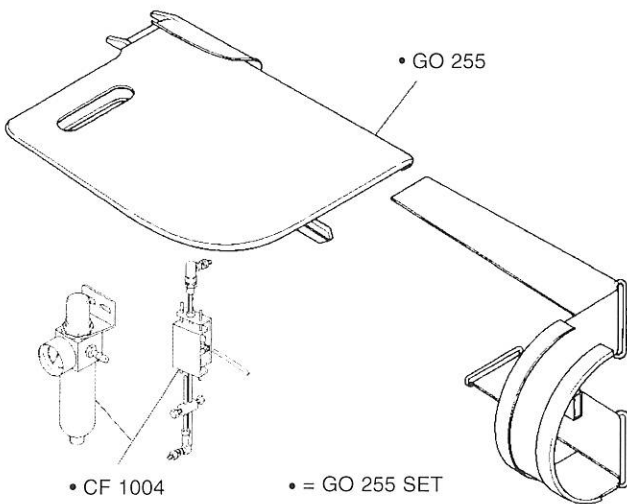
GO 255 SET

DOWNTURN SWING
ELASTIC HEMMER
WITH PNEUMATIC
DEVICE

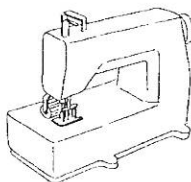
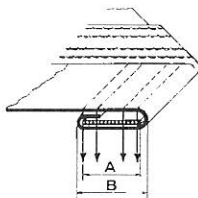
GUIDA PASSAELASTICO
COMPLETA DI
APPARECCHIATURA
PNEUMATICA

GUIDE OURLEUR POUR
LA POSE D'ELASTIQUE
AVEC ATTACHEMENT
PNEUMATIQUE

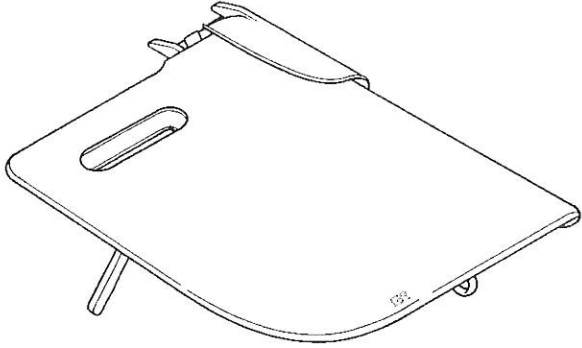



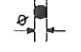
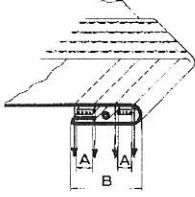
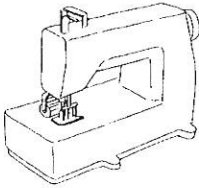
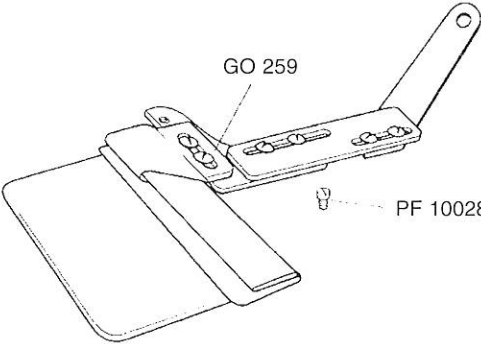
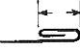

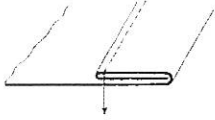
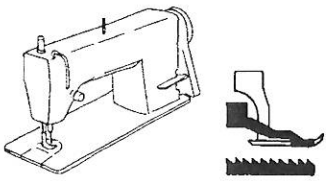
GUIA PASAGOMAS
CON DISPOSITIVO
NEUMATICO



mm		inch			
23	15/16	25	1	19,1	3/4
28	1-1/8	30	1-3/16	25,4	1
31	1-1/4	33	1-5/16	28,5	1-1/8
34	1-11/32	36	1-7/16	31,8	1-1/4
40	1-9/16	42	1-21/32	38,1	1-1/2



**A RICHIESTA:
GUIDE FUORI MISURA**
ON REQUEST:
ALL THE OTHER SIZES

<p>GO 256</p>	<p>DOWNTURN HEMMER WITH 2 ELASTICS AND CORD INSERTION</p>	<p>GUIDA PASSAELASTICO CON INSERIMENTO DI 2 ELASTICI E CORDONETTO</p>	<p>GUIDE OURLEUR POUR LA POSE DE 2 ELASTIQUES ET CORDONNET</p>	<p>GUIA PASAGOMAS CON INSERCIÓN DE 2 ELÁSTICOS Y CORDÓN</p>		
 <p>• = GO 200 SET</p>						
<p>mm</p>	<p>inch</p>	<p>M</p>	<p>mm</p>	<p>inch</p>	<p>mm</p>	<p>inch</p>
<p>30</p>	<p>1-3/16</p>		<p>7</p>	<p>9/32</p>	<p>4</p>	<p>5/32</p>
		<p>A RICHIESTA: GUIDE FUORI MISURA ON REQUEST: ALL THE OTHER SIZES</p>				
<p>GO 259</p>	<p>BUTTON STAY HEMMER</p>	<p>ORLATORE PER CANOLO CAMICIA</p>	<p>GUIDE ORLEUR POUR LA POSE DES GORGES DE CHEMISES</p>	<p>ORILLADOR PARA TAPETA DE CAMISA</p>		
 <p>GO 259</p> <p>PF 700824</p> <p>PF 40624</p> <p>PF 100288</p>						
<p>mm</p>	<p>inch</p>	<p>L - M</p>	<p>L - M</p>	<p>L - M</p>		
<p>25</p>	<p>1</p>	<p>30</p>	<p>3/16</p>	<p>35</p>	<p>1-3/8</p>	
		<p>A RICHIESTA: GUIDE FUORI MISURA ON REQUEST: ALL THE OTHER SIZES</p>				

GO 262

BUTTON STAY
FOLDER

ORLATORE PER
CANOLO CAMICIA

GUIDE POR LA
POSE DES GORGES
DE CHEMISES

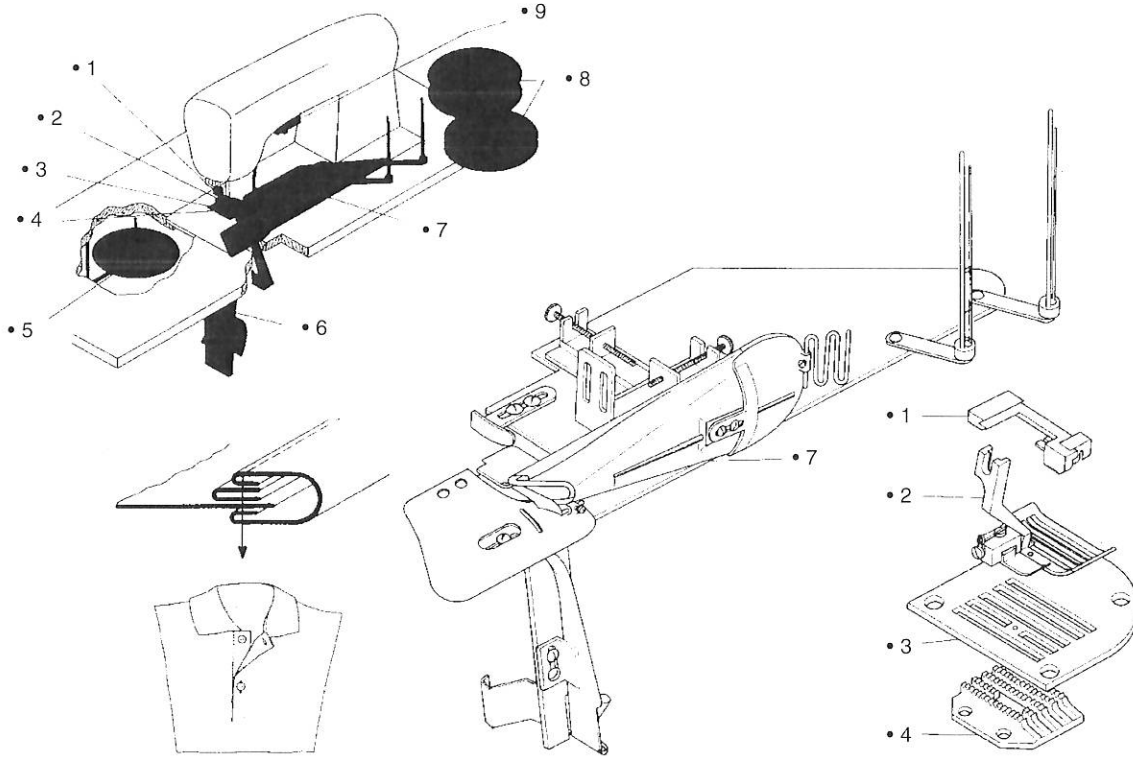
ORILLADOR PARA
TAPETA DE
CAMISA

mm		inch			
16	5/8	25	1	L	
16	5/8	25	1	MH	
20	3/4	30	1-3/16	L	
20	3/4	30	1-1/16	MH	
24	15/16	35	1-3/8	L	
24	15/16	35	1-3/8	MH	
30	1-3/16	40	1-9/16	L	
30	1-3/16	40	1-9/16	MH	



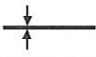
2

GO 264 SET

ATTACHMENT AND SEWING PARTS TO MAKE BUTTON STAY WITH PIPING ON POLO SHIRT	GUIDA E ORGANI DI CUCITURA PER LA PRODUZIONE DI CANOLO POLO CON PROFILO	GUIDE ET PIECES POUR PRODUCTION DES GORGES AVEC PASSEPOIL DES CHEMISES POLO	GUIA Y ORGANOS DE COSTURA PARA LA PRODUCCION DE TAPETA POLO CON VIVO
--	--	--	---



Pos.	Code No. PFAFF 487	Code No. PFAFF 467 RIMOLDI 140	Code No. BROTHER DB2-B774 BROTHER DB2-B792 BROTHER DB2-B793	Code No. DURKOPP 219	Code No. JUKI DLU 5490	
•	GO 264/1 SET	GO 264/3 SET	GO 264/2 SET	GO 264/4 SET	GO 264/5 SET	
1	CF 488	CF 492	CF 402004	CF 402020	CF 500001	
2	CF 485	CF 485	CF 402001	CF 402021	CF 500002	
3	CF 487	CF 489	CF 402003	CF 402022	CF 500003	
4	CF 486	CF 490	CF 402002	CF 402023	CF 500004	
5	CF 230B	CF 230B	CF 230B	CF 230B	CF 230B	
6	CF 1002	CF 1002	CF 1002	CF 1002	CF 1002	
7	GO 264	GO 264	GO 264	GO 264	GO 264	
8	CF 246	CF 246	CF 246	CF 246	CF 246	
9	CF LA 0300/1	CF LA 0300/1	CF LA 0300/1	CF LA 0300/1	CF LA 0300/1	
						A RICHIESTA: GUIDE FUORI MISURA ON REQUEST: ALL THE OTHER SIZES

						Reinforcement		Piping Cut Size	
mm	inch	mm	inch	M		mm	inch	mm	inch
80	3-1/8	30	1-3/16			28	1-1/8	16	5/8

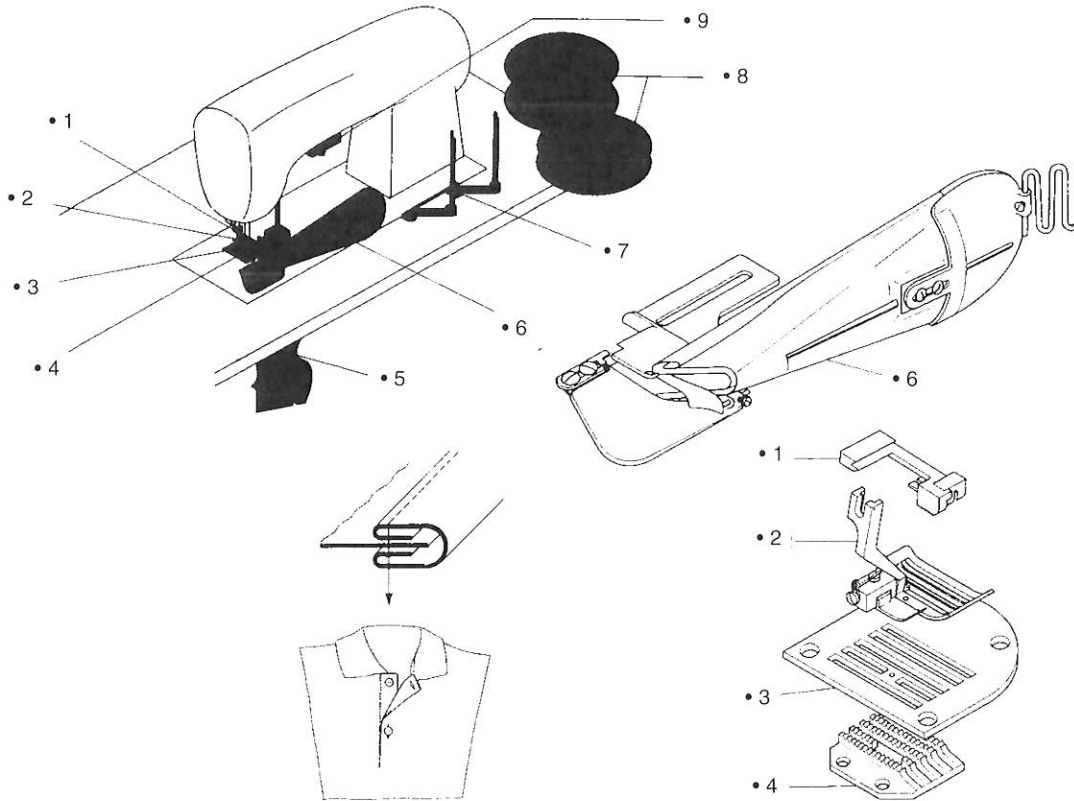
GO 265 SET

ATTACHMENT AND SEWING PARTS TO MAKE BUTTON STAY ON POLO SHIRT

GUIDA E ORGANI DI CUCITURA PER LA PRODUZIONE DI CANOLO POLO

GUIDE ET PIÈCES POUR PRODUCTION DES GORGES AVEC DES CHEMISES POLO

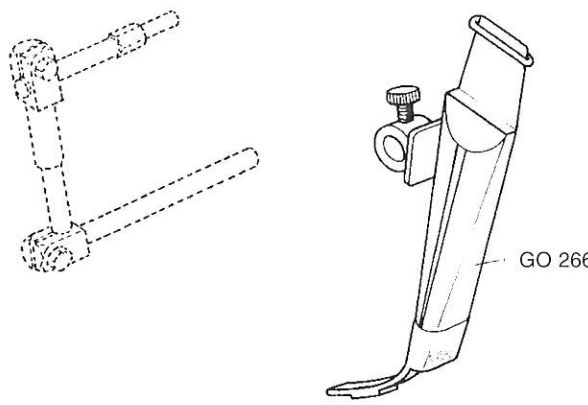
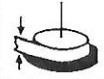

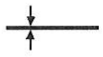
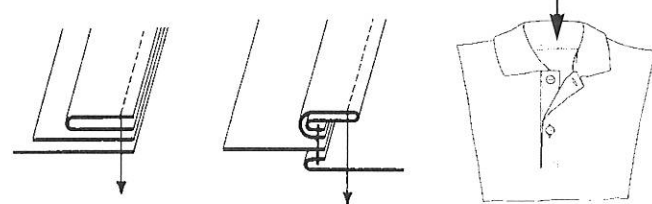
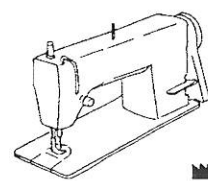
GUIA Y ORGANOS DE COSTURA PARA LA PRODUCCION DE TAPETA POLO

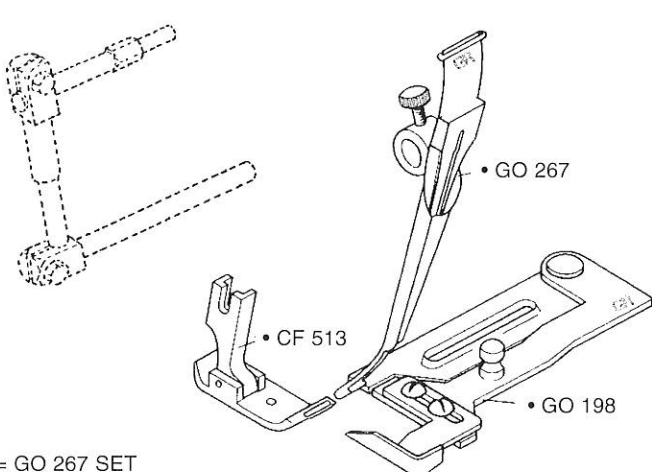
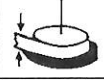

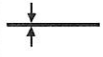
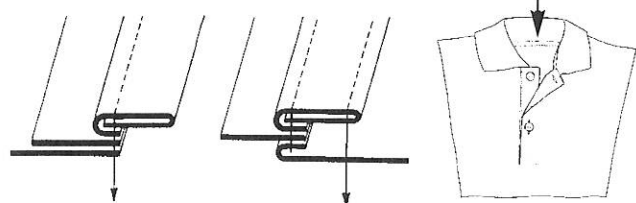
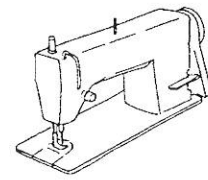


Pos.	Code No. PFAFF 487	Code No. PFAFF 467 RIMOLDI 140	Code No. BROTHER DB2-B774 BROTHER DB2-B792 BROTHER DB2-B793	Code No. DURKOPP 219	Code No. JUKI DLU 5490
•	GO 265/1 SET	GO 265/3 SET	GO 265/2 SET	GO 265/4 SET	GO 265/5 SET
1	CF 488	CF 492	CF 402004	CF 402020	CF 500001
2	CF 485	CF 485	CF 402001	CF 402021	CF 500002
3	CF 487	CF 489	CF 402003	CF 402022	CF 500003
4	CF 486	CF 490	CF 402002	CF 402023	CF 500004
5	CF 1002	CF 1002	CF 1002	CF 1002	CF 1002
6	GO 265	GO 265	GO 265	GO 265	GO 265
7	CF 518	CF 518	CF 518	CF 518	CF 518
8	CF 246	CF 246	CF 246	CF 246	CF 246
9	CF LA 0300/1	CF LA 0300/1	CF LA 0300/1	CF LA 0300/1	CF LA 0300/1

**A RICHIESTA:
GUIDE FUORI MISURA
ON REQUEST:
ALL THE OTHER SIZES**

						Reinforcement	
mm	inch	mm	inch			mm	inch
55	2-3/16	20	3/4		L - M	18	11/16
70	2-3/4	25	1		L - M - H	23	29/32
80	3-1/8	30	1-3/16		L - M - H	28	1-1/8
90	3-9/16	35	1-3/8		L - M - H	33	1-5/16
100	3-3/4	40	1-9/16		L - M - H	38	1-1/2

<p>GO 266 - GO 355-30 M</p>	<p>ATTACHMENT TO SEW THE NECKLINE ON POLO SHIRTS</p>	<p>GUIDA PER ATTACCATURA DEL COLLO SU MAGLIETTE TIPO POLO</p>	<p>GUIDE POUR COUDRE LE COL DES POLO</p>	<p>GUIA PARA LA APLICACION DEL CUELLO EN CAMISetas DE PUNTO TIPO POLO</p>									
 <p>GO 266</p> <p>• = GO 200 SET</p>			 <table border="1"> <tr> <th>mm</th> <th>inch</th> </tr> <tr> <td>30</td> <td>1-3/16</td> </tr> </table>	mm	inch	30	1-3/16	 <table border="1"> <tr> <th>mm</th> <th>inch</th> </tr> <tr> <td>15</td> <td>19/32</td> </tr> </table>	mm	inch	15	19/32	 <p>M</p>
mm	inch												
30	1-3/16												
mm	inch												
15	19/32												
<p>A RICHIESTA: GUIDE FUORI MISURA ON REQUEST: ALL THE OTHER SIZES</p>													
													

<p>GO 267 SET</p>	<p>ATTACHMENT AND FOOT TO SEW THE NECKLINE ON POLO SHIRTS</p>	<p>GUIDA CON PIEDINO PER ATTACCATURA DEL COLLO SU MAGLIETTE TIPO POLO</p>	<p>GUIDE ET PIED DE BICHE-POUR COUDRE LE COL DES POLO</p>	<p>GUIA CON PRENSATELAS PARA LA APLICACION DEL CUELLO EN CAMISetas TIPO POLO</p>																															
 <p>GO 267</p> <p>CF 513</p> <p>GO 198</p> <p>• = GO 267 SET</p>			 <table border="1"> <tr> <th>mm</th> <th>inch</th> <th>mm</th> <th>inch</th> </tr> <tr> <td>22</td> <td>7/8</td> <td>9</td> <td>11/32</td> </tr> <tr> <td>22</td> <td>7/8</td> <td>9</td> <td>11/32</td> </tr> <tr> <td>28</td> <td>1 - 1/8</td> <td>12</td> <td>1/2</td> </tr> <tr> <td>28</td> <td>1 - 1/8</td> <td>12</td> <td>1/2</td> </tr> </table>	mm	inch	mm	inch	22	7/8	9	11/32	22	7/8	9	11/32	28	1 - 1/8	12	1/2	28	1 - 1/8	12	1/2	 <table border="1"> <tr> <th>mm</th> <th>inch</th> </tr> <tr> <td>9</td> <td>11/32</td> </tr> <tr> <td>9</td> <td>11/32</td> </tr> <tr> <td>12</td> <td>1/2</td> </tr> <tr> <td>12</td> <td>1/2</td> </tr> </table>	mm	inch	9	11/32	9	11/32	12	1/2	12	1/2	 <p>M</p> <p>L</p> <p>M</p> <p>H</p> <p>CF 513/1</p> <p>CF 513/1</p> <p>CF 513/2</p> <p>CF 513/2</p>
mm	inch	mm	inch																																
22	7/8	9	11/32																																
22	7/8	9	11/32																																
28	1 - 1/8	12	1/2																																
28	1 - 1/8	12	1/2																																
mm	inch																																		
9	11/32																																		
9	11/32																																		
12	1/2																																		
12	1/2																																		
<p>A RICHIESTA: GUIDE FUORI MISURA ON REQUEST: ALL THE OTHER SIZES</p>																																			
																																			

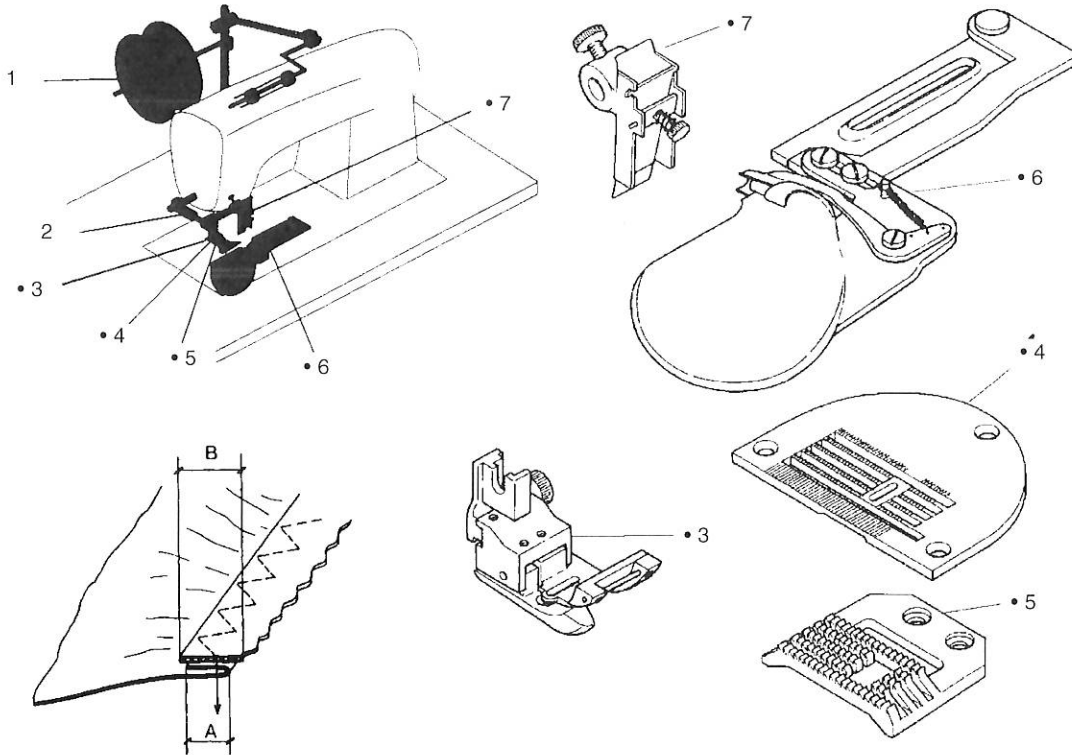
GO 268 A
GO 268 B

ELASTIC LACE
FOLDER WITH FOOT
FOR THREE - STITCH
AND ZIG-ZAG
MACHINES

GUIDE E PIEDINO
PER APPLICAZIONE
PIZZI ELASTICI
SU THREE - STITCH
E ZIG-ZAG

GUIDES ET PIED
POUR APPLICATION
DE DENTELLES
ELASTIQUES

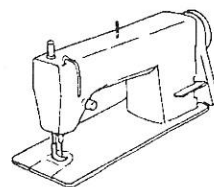
GUIAS Y
PRENSATELAS PARA
APLICACION DE
PUNTILLA ELASTICA

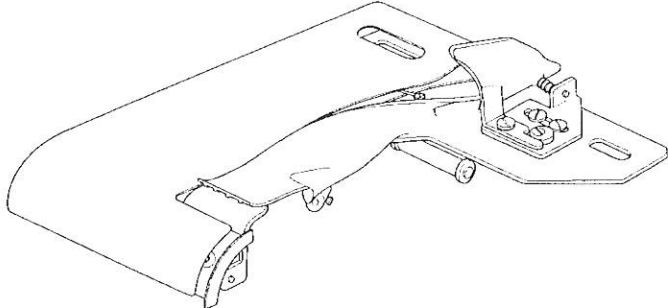
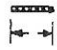
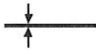

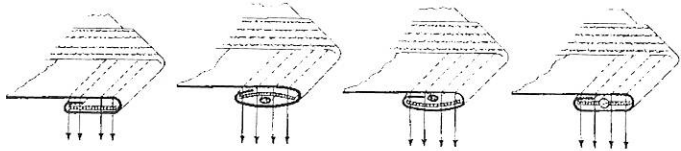
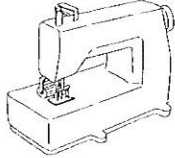


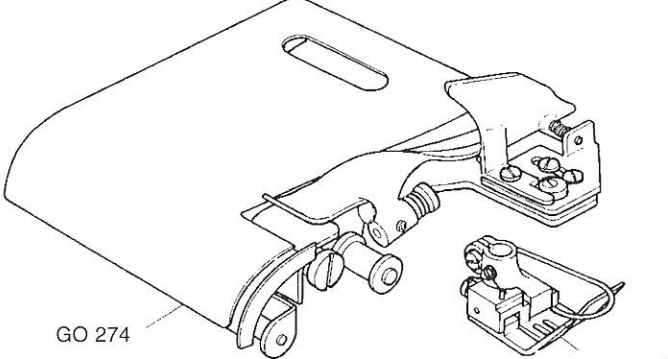

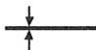
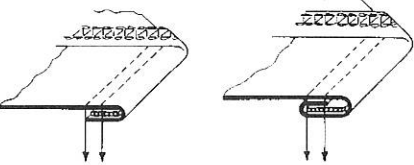
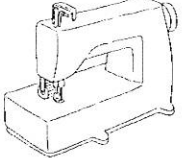
Pos.	Code No. PFAFF 418 e 918	Code No. DURKOPP 267	Code No. JUKI LZ 2286 SINGER 457/135	Code No. GLOBAL 567	Code No. PFAFF 438 e 938	Code No. DURKOPP 265	Code No. JUKI LZ 2280 SINGER 457/105	Code No. GLOBAL 560
•	GO 268A/1	GO 268A/2	GO 268A/3	GO 268A/4	GO 268B/1	GO 268B/2	GO 268B/3	GO 268B/4
1	CF 243	CF 243	CF 243	CF 243	CF 243	CF 243	CF 243	CF 243
2	GO 434/1	GO 434/1	GO 434/7	GO 434/1	GO 434/1	GO 434/1	GO 434/7	GO 434/1
3	CF 402013	CF 402010	CF 402007	CF 402013	CF 402018	CF 402031	CF 402029	CF 402018
4	CF 402014	CF 402015	CF 402008	CF 402034	CF 402019	CF 402026	CF 402032	CF 402035
5	CF 402016	CF 402017	CF 402009	CF 402036	CF 402027	CF 402028	CF 402030	CF 402037
6	GO 268	GO 268	GO 268	GO 268	GO 268	GO 268	GO 268	GO 268
7	GO 431/1	GO 431/1	GO 431/1	GO 431/1	GO 431/1	GO 431/1	GO 431/1	GO 431/1

**A RICHIESTA:
GUIDE FUORI MISURA
ON REQUEST:
ALL THE OTHER SIZES**

A		B	
mm	inch		
5	3/16	from 7	to 10 mm
7	9/32	from 11	to 15 mm
		from 9/32	to 3/8 inch
		from 7/16	to 19/32 inch



<p>GO 273</p>	<p>ELASTICATING HEMMER FOR ANY KIND OF FABRIC AND ELASTIC WITH OR WITHOUT CORD INSERT</p>	<p>ORLATORE REGOLABILE PER TUTTI I TIPI DI TESSUTO CON INSERIMENTO DI ELASTICO, ELASTICO E CORDA O ELASTICO CON CORDA INTERNA</p>	<p>GUIDE OURLEUR REGLABLE POUR POSE D'ÉLASTIQUE, POUR TOUT TYPE D'ÉLASTIQUE, AVEC OU SANS CORDE</p>	<p>ORILLADOR REGULABLE PARA TODO TIPO DE TEJIDOS, CON INSERCIÓN DE GOMA, GOMA Y CORDON O GOMA CON CORDON INTERNO</p>																							
																											
				<table border="1"> <thead> <tr> <th>mm</th> <th>inch</th> </tr> </thead> <tbody> <tr> <td>22-26</td> <td>7/8-1</td> </tr> <tr> <td>28-32</td> <td>1-1/8-1-1/4</td> </tr> <tr> <td>31-35</td> <td>1-1/4-1-3/8</td> </tr> <tr> <td>34-38</td> <td>1-3/8-1-1/2</td> </tr> <tr> <td>41-45</td> <td>1-5/8-1-3/4</td> </tr> </tbody> </table>	mm	inch	22-26	7/8-1	28-32	1-1/8-1-1/4	31-35	1-1/4-1-3/8	34-38	1-3/8-1-1/2	41-45	1-5/8-1-3/4	<p>Adjustable Adjustable Adjustable Adjustable Adjustable</p>	<table border="1"> <thead> <tr> <th>mm</th> <th>inch</th> </tr> </thead> <tbody> <tr> <td>19,1</td> <td>3/4</td> </tr> <tr> <td>25,4</td> <td>1</td> </tr> <tr> <td>28,5</td> <td>1-1/8</td> </tr> <tr> <td>31,8</td> <td>1-1/4</td> </tr> <tr> <td>38,1</td> <td>1-1/2</td> </tr> </tbody> </table>	mm	inch	19,1	3/4	25,4	1	28,5	1-1/8	31,8
mm	inch																										
22-26	7/8-1																										
28-32	1-1/8-1-1/4																										
31-35	1-1/4-1-3/8																										
34-38	1-3/8-1-1/2																										
41-45	1-5/8-1-3/4																										
mm	inch																										
19,1	3/4																										
25,4	1																										
28,5	1-1/8																										
31,8	1-1/4																										
38,1	1-1/2																										
																											

<p>GO 274</p>	<p>ELASTICATING HEMMER FOR ANY KIND OF FABRIC AND ELASTIC</p>	<p>ORLATORE REGOLABILE PER TUTTI I TIPI DI TESSUTO CON INSERIMENTO DI ELASTICO</p>	<p>GUIDE OURLEUR REGLABLE POUR POSE D'ÉLASTIQUES, POUR TOUT TYPE D'ÉLASTIQUE</p>	<p>ORILLADOR REGULABLE PARA TODO TIPO DE TEJIDOS, CON INSERCIÓN DE GOMA</p>											
 <p>GO 274</p> <p>BM 306669/1</p>															
			<table border="1"> <thead> <tr> <th>mm</th> <th>inch</th> </tr> </thead> <tbody> <tr> <td>7-9</td> <td>9/32-11/32</td> </tr> <tr> <td>8-11</td> <td>5/16-7/16</td> </tr> <tr> <td>12-14</td> <td>1/2-9/16</td> </tr> <tr> <td>15-18</td> <td>5/8-11/16</td> </tr> <tr> <td>18-22</td> <td>3/4-7/8</td> </tr> </tbody> </table>	mm	inch	7-9	9/32-11/32	8-11	5/16-7/16	12-14	1/2-9/16	15-18	5/8-11/16	18-22	3/4-7/8
mm	inch														
7-9	9/32-11/32														
8-11	5/16-7/16														
12-14	1/2-9/16														
15-18	5/8-11/16														
18-22	3/4-7/8														
															

G0273

Guida passaelastico a piega doppia con o senza inserimento di corda.

Double or single fold elastic hemmer with or without cord insertion.

Guide rabatteur pose elastique avec ou sans insertion de cordonnet.

Guía pasagomas de doble orillado con o sin inserción de cordón.



2

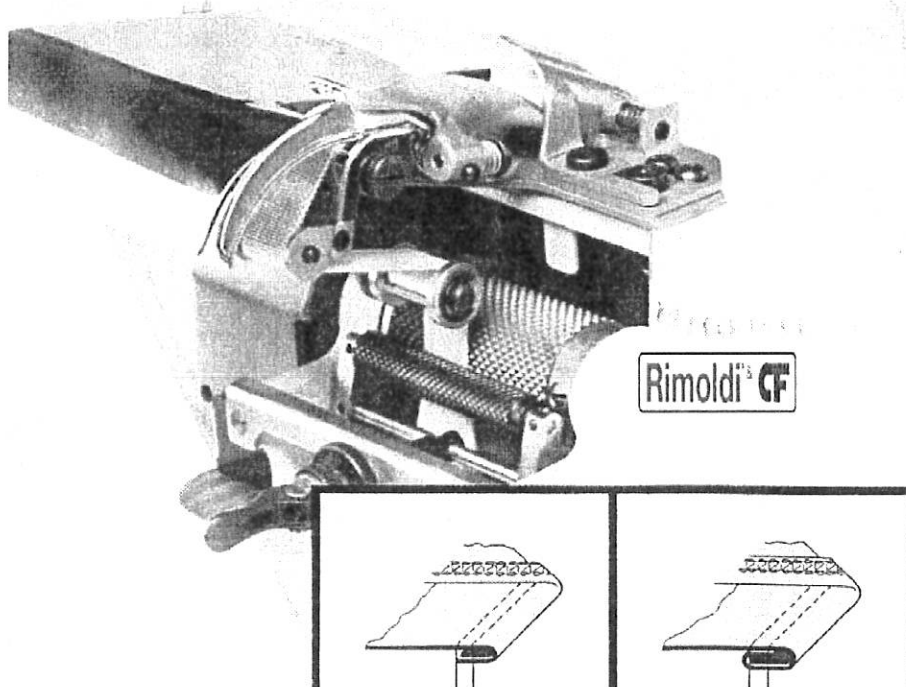
G0274

Guida passaelastico per elastici di misura inferiore a mm. 20 a piega semplice e doppia.

Single or double fold hemmer for up to 20 mm. elastic size.

Guide pose elastique pour elastiques jusqu'à 20 mm. Ce guide peut aussi bien réaliser le rabat que l'ourlet.

Guía pasagomas para elásticos de medidas inferiores a 20 mm. orillado sencillo o doble.



G0276

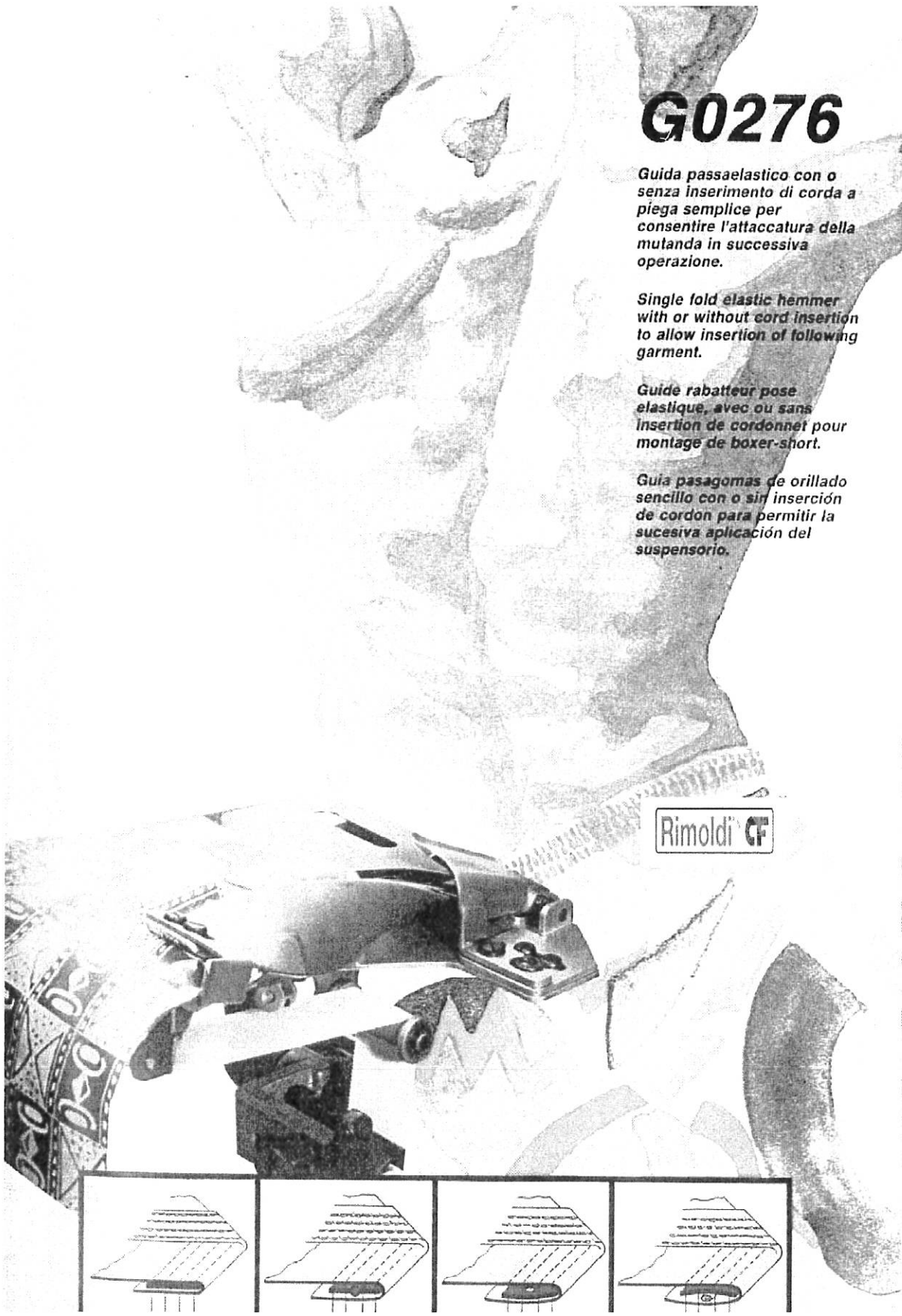
Guida passaelastico con o senza inserimento di corda a piega semplice per consentire l'attaccatura della mutanda in successiva operazione.

Single fold elastic hemmer with or without cord insertion to allow insertion of following garment.

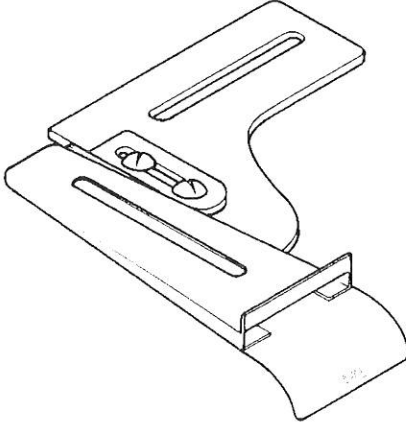

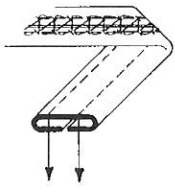
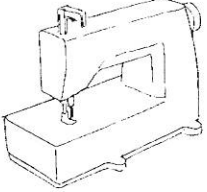
Guide rabatteur pose elastique, avec ou sans insertion de cordonnet pour montage de boxer-short.

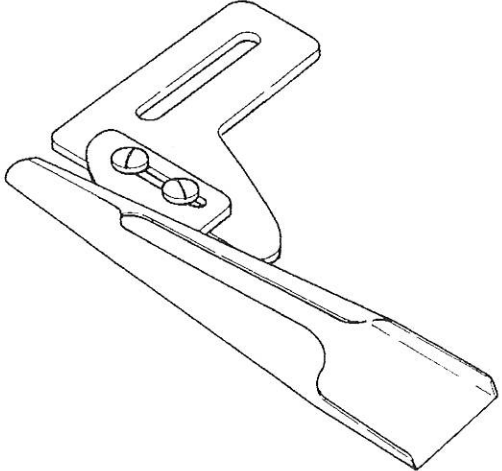

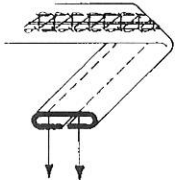
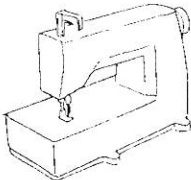
Guia pasagomas de orillado sencillo con o sin inserción de cordón para permitir la sucesiva aplicación del suspensorio.

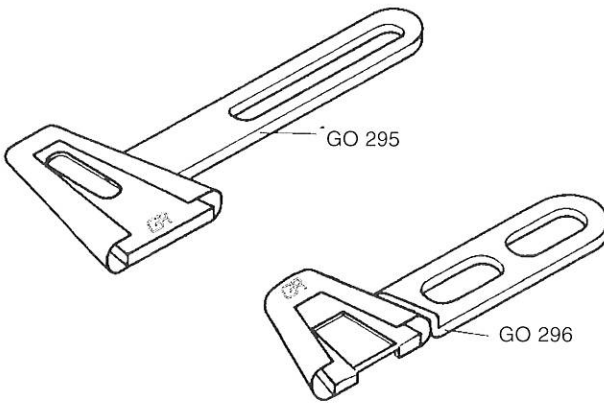


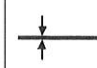


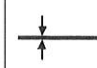


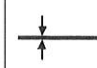
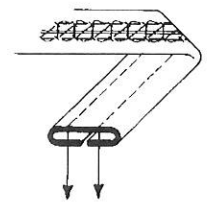
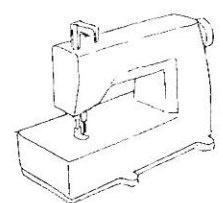
2

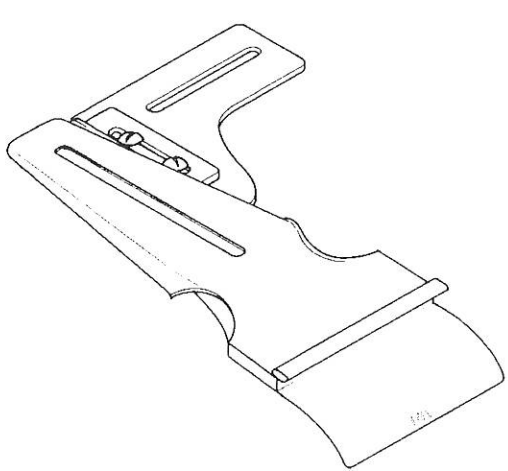

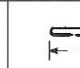
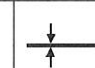

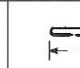
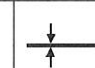

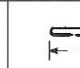
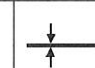
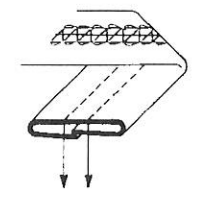
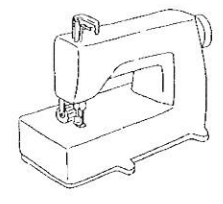


<p>GO 275 SET</p>	<p>SPLIT TUBE FOLDER FOR 2 NEEDLES CHAINSTITCH MACHINES WITH UPPER TAPE APPLICATION</p>	<p>GUIDA COLLARETTO PER MACCHINE 2 AGHI PIANE CON BANDA SUPERIORE</p>	<p>GUIDE COLLERETTE POUR MACHINES A 2 AIGUILLES POINT DE CHAINETTE AVEC APPLICATION DE BANDE</p>	<p>GUIA DE COLLARIN PARA MAQUINAS A 2 AGUJAS CON BANDA SUPERIOR</p>																																		
<p>▲ GO 375</p> <p>▲ GO 275</p> <p>• = CF A2060 ▲ = GO 275 SET</p>	<table border="1"> <tr> <td></td> <td></td> <td></td> <td></td> </tr> <tr> <td>mm inch</td> <td>mm inch</td> <td>mm inch</td> <td>mm inch</td> </tr> <tr> <td>GO 375</td> <td>GO 375</td> <td>GO 375</td> <td>GO 375</td> </tr> <tr> <td>18 11/16</td> <td>9 11/32</td> <td>M</td> <td></td> </tr> <tr> <td>20 3/4</td> <td>10 3/8</td> <td>M</td> <td></td> </tr> <tr> <td>GO 275</td> <td>GO 275</td> <td>GO 275</td> <td>GO 275</td> </tr> <tr> <td>50 2</td> <td>20 3/4</td> <td>2 5/64</td> <td></td> </tr> <tr> <td>60 2-3/8</td> <td>25 1</td> <td>2 5/64</td> <td></td> </tr> <tr> <td>70 2-3/4</td> <td>30 1-3/16</td> <td>2 5/64</td> <td></td> </tr> </table>					mm inch	mm inch	mm inch	mm inch	GO 375	GO 375	GO 375	GO 375	18 11/16	9 11/32	M		20 3/4	10 3/8	M		GO 275	GO 275	GO 275	GO 275	50 2	20 3/4	2 5/64		60 2-3/8	25 1	2 5/64		70 2-3/4	30 1-3/16	2 5/64		
mm inch	mm inch	mm inch	mm inch																																			
GO 375	GO 375	GO 375	GO 375																																			
18 11/16	9 11/32	M																																				
20 3/4	10 3/8	M																																				
GO 275	GO 275	GO 275	GO 275																																			
50 2	20 3/4	2 5/64																																				
60 2-3/8	25 1	2 5/64																																				
70 2-3/4	30 1-3/16	2 5/64																																				
	<p>A RICHIESTA: GUIDE FUORI MISURA ON REQUEST: ALL THE OTHER SIZES</p>																																					
<p>GO 276</p>	<p>ELASTICATING HEMMER FOR ANY KIND OF FABRIC AND ELASTIC WITH OR WITHOUT CORD INSERT</p>	<p>ORLATORE REGOLABILE PER TUTTI I TIPI DI TESSUTO CON INSERIMENTO DI ELASTICO, ELASTICO E CORDA O ELASTICO CON CORDA INTERNA</p>	<p>GUIDE OURLEUR REGLABLE POUR POSE D'ÉLASTIQUE, POUR TOUT TYPE D'ÉLASTIQUE, AVEC OU SANS CORDE</p>	<p>ORILLADOR REGULABLE PARA TODO TIPO DE TEJIDOS, CON INSERCIÓN DE GOMA, GOMA Y CORDÓN O GOMA CON CORDÓN INTERNO</p>																																		
	<table border="1"> <tr> <td></td> <td></td> <td></td> </tr> <tr> <td>mm inch</td> <td></td> <td>mm inch</td> </tr> <tr> <td>22-26 7/8-1</td> <td>Adjustable</td> <td>19,1 3/4</td> </tr> <tr> <td>28-32 1-1/8-1-1/4</td> <td>Adjustable</td> <td>25,4 1</td> </tr> <tr> <td>31-35 1-1/4-1-3/8</td> <td>Adjustable</td> <td>28,5 1-1/8</td> </tr> <tr> <td>34-38 1-3/8-1-1/2</td> <td>Adjustable</td> <td>31,8 1-1/4</td> </tr> <tr> <td>41-45 1-5/8-1-3/4</td> <td>Adjustable</td> <td>38,1 1-1/2</td> </tr> </table>				mm inch		mm inch	22-26 7/8-1	Adjustable	19,1 3/4	28-32 1-1/8-1-1/4	Adjustable	25,4 1	31-35 1-1/4-1-3/8	Adjustable	28,5 1-1/8	34-38 1-3/8-1-1/2	Adjustable	31,8 1-1/4	41-45 1-5/8-1-3/4	Adjustable	38,1 1-1/2																
mm inch		mm inch																																				
22-26 7/8-1	Adjustable	19,1 3/4																																				
28-32 1-1/8-1-1/4	Adjustable	25,4 1																																				
31-35 1-1/4-1-3/8	Adjustable	28,5 1-1/8																																				
34-38 1-3/8-1-1/2	Adjustable	31,8 1-1/4																																				
41-45 1-5/8-1-3/4	Adjustable	38,1 1-1/2																																				

<p>GO 290</p>	<p>BELT LOOP FOLDER</p>	<p>GUIDA PASSANTI</p>	<p>GUIDE PASSANTS</p>	<p>GUIA DE PASADORES</p>																																																												
		 <table border="1" data-bbox="925 425 1157 705"> <thead> <tr> <th>mm</th> <th>inch</th> <th>mm</th> <th>inch</th> <th></th> </tr> </thead> <tbody> <tr><td>16</td><td>5/8</td><td>8</td><td>5/16</td><td>MH</td></tr> <tr><td>19</td><td>3/4</td><td>9</td><td>11/32</td><td>MH</td></tr> <tr><td>22</td><td>7/8</td><td>11</td><td>7/16</td><td>MH</td></tr> <tr><td>25</td><td>1</td><td>12</td><td>1/2</td><td>MH</td></tr> <tr><td>28</td><td>1 - 1/8</td><td>14</td><td>9/16</td><td>MH</td></tr> <tr><td>30</td><td>1 - 3/16</td><td>15</td><td>19/32</td><td>MH</td></tr> <tr><td>32</td><td>1 - 1/4</td><td>16</td><td>5/8</td><td>MH</td></tr> <tr><td>35</td><td>1 - 3/8</td><td>17,5</td><td>11/16</td><td>MH</td></tr> <tr><td>40</td><td>1 - 9/16</td><td>20</td><td>3/4</td><td>MH</td></tr> <tr><td>45</td><td>1 - 3/4</td><td>22,5</td><td>7/8</td><td>MH</td></tr> <tr><td>50</td><td>2</td><td>25</td><td>1</td><td>MH</td></tr> </tbody> </table>		mm	inch	mm	inch		16	5/8	8	5/16	MH	19	3/4	9	11/32	MH	22	7/8	11	7/16	MH	25	1	12	1/2	MH	28	1 - 1/8	14	9/16	MH	30	1 - 3/16	15	19/32	MH	32	1 - 1/4	16	5/8	MH	35	1 - 3/8	17,5	11/16	MH	40	1 - 9/16	20	3/4	MH	45	1 - 3/4	22,5	7/8	MH	50	2	25	1	MH	
mm	inch	mm	inch																																																													
16	5/8	8	5/16	MH																																																												
19	3/4	9	11/32	MH																																																												
22	7/8	11	7/16	MH																																																												
25	1	12	1/2	MH																																																												
28	1 - 1/8	14	9/16	MH																																																												
30	1 - 3/16	15	19/32	MH																																																												
32	1 - 1/4	16	5/8	MH																																																												
35	1 - 3/8	17,5	11/16	MH																																																												
40	1 - 9/16	20	3/4	MH																																																												
45	1 - 3/4	22,5	7/8	MH																																																												
50	2	25	1	MH																																																												
		<p>A RICHIESTA: GUIDE FUORI MISURA ON REQUEST: ALL THE OTHER SIZES</p>																																																														

<p>GO 292</p>	<p>BINDER FOR STIFF RIBBONS</p>	<p>BORDATORE PER NASTRI RIGIDI</p>	<p>BORDEUR POUR RUBANS RIGIDES</p>	<p>GUIADOR SIMPLE PARA CINTAS RIGIDAS</p>																																								
		 <table border="1" data-bbox="925 1344 1157 1523"> <thead> <tr> <th>mm</th> <th>inch</th> <th>mm</th> <th>inch</th> <th></th> </tr> </thead> <tbody> <tr><td>16</td><td>5/8</td><td>8</td><td>5/16</td><td>MH</td></tr> <tr><td>19</td><td>3/4</td><td>9,5</td><td>3/8</td><td>MH</td></tr> <tr><td>22</td><td>7/8</td><td>11</td><td>7/16</td><td>MH</td></tr> <tr><td>25</td><td>1</td><td>12,5</td><td>1/2</td><td>MH</td></tr> <tr><td>30</td><td>1 - 3/16</td><td>15</td><td>19/32</td><td>MH</td></tr> <tr><td>35</td><td>1 - 3/8</td><td>17,5</td><td>11/16</td><td>MH</td></tr> <tr><td>40</td><td>1 - 9/16</td><td>20</td><td>3/4</td><td>MH</td></tr> </tbody> </table>		mm	inch	mm	inch		16	5/8	8	5/16	MH	19	3/4	9,5	3/8	MH	22	7/8	11	7/16	MH	25	1	12,5	1/2	MH	30	1 - 3/16	15	19/32	MH	35	1 - 3/8	17,5	11/16	MH	40	1 - 9/16	20	3/4	MH	
mm	inch	mm	inch																																									
16	5/8	8	5/16	MH																																								
19	3/4	9,5	3/8	MH																																								
22	7/8	11	7/16	MH																																								
25	1	12,5	1/2	MH																																								
30	1 - 3/16	15	19/32	MH																																								
35	1 - 3/8	17,5	11/16	MH																																								
40	1 - 9/16	20	3/4	MH																																								
		<p>A RICHIESTA: GUIDE FUORI MISURA ON REQUEST: ALL THE OTHER SIZES</p>																																										

<p>GO 295 GO 296</p>	<p>BELT LOOP FOLDER FOR KANSAI DVK-1702</p>	<p>GUIDA PASSANTI PER KANSAI DVK - 1702</p>	<p>GUIDE PASSANTS POUR KANSAI DVK - 1702</p>	<p>GUIA DE PASADORES PARA KANSAI DVK - 1702</p>																																																																												
		<table border="1"> <thead> <tr> <th></th> <th colspan="2"></th> <th colspan="2"></th> <th></th> </tr> <tr> <th></th> <th>mm</th> <th>inch</th> <th>mm</th> <th>inch</th> <th></th> </tr> </thead> <tbody> <tr> <td rowspan="6">GO 295</td> <td>16</td> <td>5/8</td> <td>8</td> <td>5/6</td> <td>MH - L</td> </tr> <tr> <td>20</td> <td>3/4</td> <td>10</td> <td>3/8</td> <td>MH - L</td> </tr> <tr> <td>25</td> <td>1</td> <td>12</td> <td>1/2</td> <td>MH - L</td> </tr> <tr> <td>28</td> <td>1-1/8</td> <td>14</td> <td>9/16</td> <td>MH - L</td> </tr> <tr> <td>30</td> <td>1-3/16</td> <td>15</td> <td>19/32</td> <td>MH - L</td> </tr> <tr> <td>36</td> <td>1-3/8</td> <td>18</td> <td>11/16</td> <td>MH - L</td> </tr> <tr> <td rowspan="4">GO 296</td> <td>40</td> <td>1-9/16</td> <td>20</td> <td>3/4</td> <td>MH - L</td> </tr> <tr> <td>16</td> <td>5/8</td> <td>8</td> <td>5/16</td> <td>MH</td> </tr> <tr> <td>20</td> <td>3/4</td> <td>9</td> <td>3/8</td> <td>MH</td> </tr> <tr> <td>22</td> <td>7/8</td> <td>11</td> <td>7/16</td> <td>MH</td> </tr> <tr> <td></td> <td>25</td> <td>1</td> <td>12</td> <td>1/2</td> <td>MH</td> </tr> <tr> <td></td> <td>28</td> <td>1-1/8</td> <td>14</td> <td>9/16</td> <td>MH</td> </tr> </tbody> </table>										mm	inch	mm	inch		GO 295	16	5/8	8	5/6	MH - L	20	3/4	10	3/8	MH - L	25	1	12	1/2	MH - L	28	1-1/8	14	9/16	MH - L	30	1-3/16	15	19/32	MH - L	36	1-3/8	18	11/16	MH - L	GO 296	40	1-9/16	20	3/4	MH - L	16	5/8	8	5/16	MH	20	3/4	9	3/8	MH	22	7/8	11	7/16	MH		25	1	12	1/2	MH		28	1-1/8	14	9/16	MH
																																																																																
	mm	inch	mm	inch																																																																												
GO 295	16	5/8	8	5/6	MH - L																																																																											
	20	3/4	10	3/8	MH - L																																																																											
	25	1	12	1/2	MH - L																																																																											
	28	1-1/8	14	9/16	MH - L																																																																											
	30	1-3/16	15	19/32	MH - L																																																																											
	36	1-3/8	18	11/16	MH - L																																																																											
GO 296	40	1-9/16	20	3/4	MH - L																																																																											
	16	5/8	8	5/16	MH																																																																											
	20	3/4	9	3/8	MH																																																																											
	22	7/8	11	7/16	MH																																																																											
	25	1	12	1/2	MH																																																																											
	28	1-1/8	14	9/16	MH																																																																											
		<p>A RICHIESTA: GUIDE FUORI MISURA ON REQUEST: ALL THE OTHER SIZES</p>																																																																														

<p>GO 300</p>	<p>CENTER STITCH BRACES FOLDER</p>	<p>GUIDA PER BRETELLE</p>	<p>GUIDE BRETELLES</p>	<p>GUIA PARA TIRANTES</p>																																										
		<table border="1"> <thead> <tr> <th></th> <th colspan="2"></th> <th colspan="2"></th> <th></th> </tr> <tr> <th></th> <th>mm</th> <th>inch</th> <th>mm</th> <th>inch</th> <th></th> </tr> </thead> <tbody> <tr> <td>40</td> <td>1-9/16</td> <td>20</td> <td>3/4</td> <td></td> <td>MH</td> </tr> <tr> <td>50</td> <td>2</td> <td>25</td> <td>1</td> <td></td> <td>MH</td> </tr> <tr> <td>60</td> <td>2-3/8</td> <td>30</td> <td>1-3/16</td> <td></td> <td>MH</td> </tr> <tr> <td>70</td> <td>2-3/4</td> <td>35</td> <td>1-3/8</td> <td></td> <td>MH</td> </tr> <tr> <td>80</td> <td>3-1/8</td> <td>40</td> <td>1-9/16</td> <td></td> <td>MH</td> </tr> </tbody> </table>										mm	inch	mm	inch		40	1-9/16	20	3/4		MH	50	2	25	1		MH	60	2-3/8	30	1-3/16		MH	70	2-3/4	35	1-3/8		MH	80	3-1/8	40	1-9/16		MH
																																														
	mm	inch	mm	inch																																										
40	1-9/16	20	3/4		MH																																									
50	2	25	1		MH																																									
60	2-3/8	30	1-3/16		MH																																									
70	2-3/4	35	1-3/8		MH																																									
80	3-1/8	40	1-9/16		MH																																									
		<p>A RICHIESTA: GUIDE FUORI MISURA ON REQUEST: ALL THE OTHER SIZES</p>																																												

GO 319/1= GO 319+CF 324 GO 319/2= GO 319+CF 326 GO 319/3= GO 319+CF 327	BINDER WITH SHORT STRIPS INSERTION	BORDATORE PER LISTE A SPEZZONI	GUIDE POUR BANDES COURTES DE TISSU DECOUPES	GUIADOR CON INSERCIÓN DE TIRAS TROCEADAS
---	--	--------------------------------------	---	--

CF 324 UNIVERSAL

CF 326 RIMOLDI

CF 327 SINGER

GO 319

mm		inch		
75	2-15/16	25	1	L
80	3-3/16	28	1-1/8	L
85	3-3/8	30	1-3/16	L
90	3-3/16	35	1-3/8	L
95	3-3/4	37	1-7/16	L
100	3-15/16	40	1-9/16	L
105	4-1/8	43	1-11/16	L
110	4-3/8	45	1-3/4	L
75	2-15/16	25	1	M
80	3-3/16	28	1-1/8	M
85	3-3/8	30	1-3/16	M
90	3-3/16	35	1-3/8	M
95	3-3/4	37	1-7/16	M
100	3-15/16	40	1-9/16	M
105	4-1/8	43	1-11/16	M
110	4-3/8	45	1-3/4	M
120	4-3/4	50	2	M
85	3-3/8	30	1-3/16	H
90	3-3/16	35	1-3/8	H
95	3-3/4	37	1-7/16	H
100	3-15/16	40	1-9/16	H
105	4-1/8	43	1-11/16	H
110	4-3/8	45	1-3/4	H
120	4-3/4	50	2	H

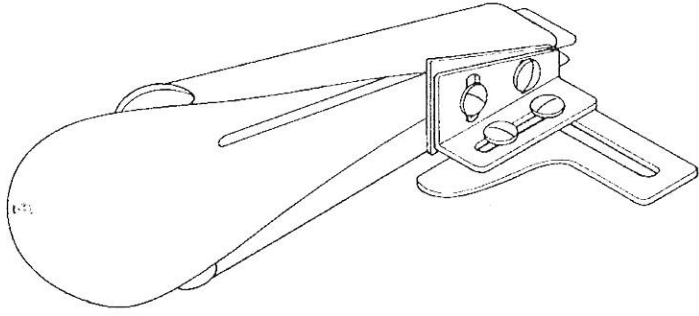
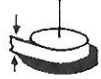


**A RICHIESTA:
GUIDE FUORI MISURA
ON REQUEST:
ALL THE OTHER SIZES**

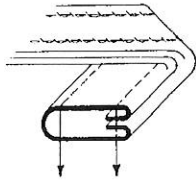
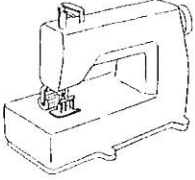
GO 320	BINDER WITH SHORT STRIPS INSERTION	BORDATORE PER LISTE A SPEZZONI	GUIDE POUR BANDES COURTES DE TISSU DECOUPES	GUIADOR CON INSERCIÓN DE TIRAS TROCEADAS
--------	--	--------------------------------------	---	--

mm		inch		
40	1-9/16	14	9/16	M
45	1-3/4	16	5/8	M
50	2	18	11/16	M
55	2-3/16	20	3/4	M
60	2-3/8	22	7/8	M
65	2-9/16	24	15/16	M
70	2-3/4	26	1-1/32	M
75	2-15/16	28	1-1/8	M
80	3-1/8	30	1-3/16	M
90	3-9/16	35	1-3/8	M
100	3-15/16	40	1-9/16	M
105	4-1/8	43	1-11/16	M
110	4-3/8	45	1-3/4	M

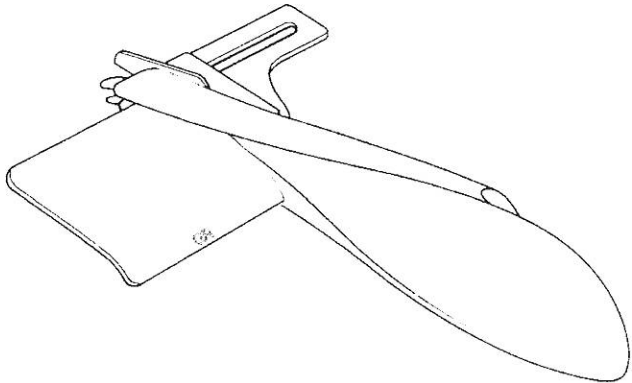
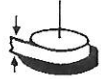

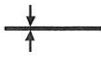
**A RICHIESTA:
GUIDE FUORI MISURA
ON REQUEST:
ALL THE OTHER SIZES**

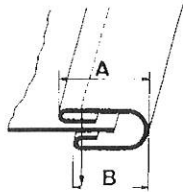
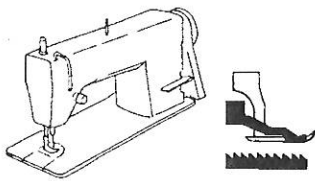
GO 321	BELT FOLDER FOR SPONGE - CLOTH	GUIDA PER CINTURE IN TESSUTO SPUGNA	GUIDE POUR CEINTURES EN TISSU-EPONGE	GUIA PARA PRETINAS EN TEJIDO DE RIZO
--------	--------------------------------------	---	--	--

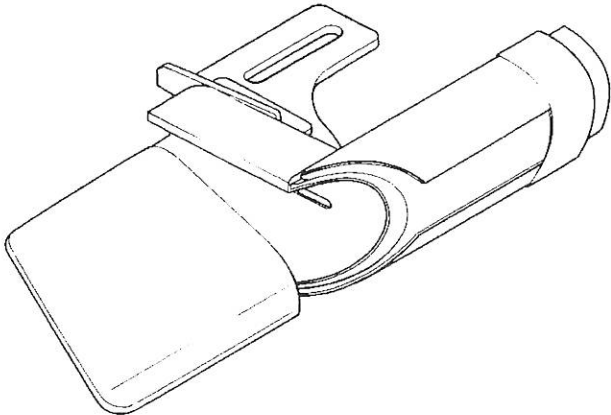
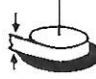
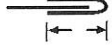

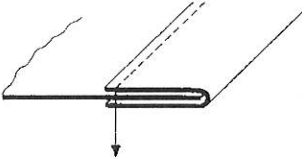
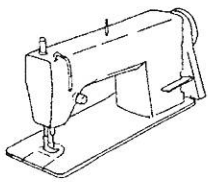

																	
	<table border="1"> <tr> <td>mm</td> <td>inch</td> </tr> <tr> <td>70</td> <td>2-3/4</td> </tr> <tr> <td>110</td> <td>4-3/8</td> </tr> </table>	mm	inch	70	2-3/4	110	4-3/8	<table border="1"> <tr> <td>mm</td> <td>inch</td> </tr> <tr> <td>25</td> <td>1</td> </tr> <tr> <td>40</td> <td>1-9/16</td> </tr> </table>	mm	inch	25	1	40	1-9/16	<table border="1"> <tr> <td>HX</td> </tr> <tr> <td>HX</td> </tr> </table>	HX	HX
mm	inch																
70	2-3/4																
110	4-3/8																
mm	inch																
25	1																
40	1-9/16																
HX																	
HX																	

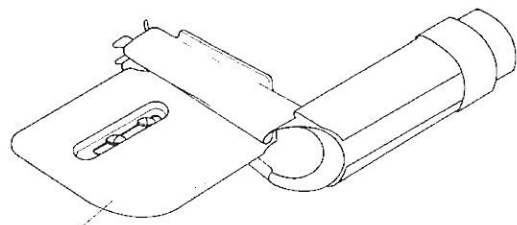
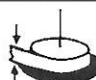
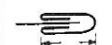

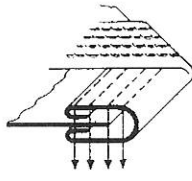
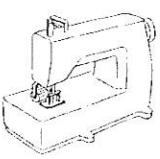
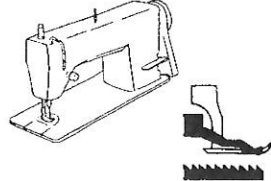
		<p>A RICHIESTA: GUIDE FUORI MISURA ON REQUEST: ALL THE OTHER SIZES</p>
--	--	---

GO 322	SLEEVE BINDER	BORDATORE PER FINITURA MANICHE	GUIDE BORDEUR MANCHES	GUIADOR PARA ACABADO DE MANGAS
--------	---------------	-----------------------------------	--------------------------	-----------------------------------

														
	<table border="1"> <tr> <td>mm</td> <td>inch</td> </tr> <tr> <td>70</td> <td>2-3/4</td> </tr> </table>	mm	inch	70	2-3/4	<table border="1"> <tr> <td>mm</td> <td>inch</td> </tr> <tr> <td>27</td> <td>1-1/16</td> </tr> <tr> <td>20</td> <td>3/4</td> </tr> </table>	mm	inch	27	1-1/16	20	3/4	<table border="1"> <tr> <td>M</td> </tr> </table>	M
mm	inch													
70	2-3/4													
mm	inch													
27	1-1/16													
20	3/4													
M														

		<p>A RICHIESTA: GUIDE FUORI MISURA ON REQUEST: ALL THE OTHER SIZES</p>
---	---	---

GO 323	ELBOW RAW EDGE TAPE BINDER	BORDATORE AD ANGOLO	BORDEUR ANGULAIRE SIMPLE REMPLI	GUIADOR SIMPLE A ANGULO																														
			  																															
			<table border="1" style="width:100%; border-collapse: collapse;"> <thead> <tr> <th>mm</th> <th>inch</th> <th>mm</th> <th>inch</th> <th>L - M - H</th> </tr> </thead> <tbody> <tr> <td>55</td> <td>2-3/16</td> <td>27</td> <td>1-1/16</td> <td>L - M - H</td> </tr> <tr> <td>60</td> <td>2-3/8</td> <td>30</td> <td>1-3/16</td> <td>L - M - H</td> </tr> <tr> <td>70</td> <td>2-3/4</td> <td>35</td> <td>1-3/8</td> <td>L - M - H</td> </tr> <tr> <td>80</td> <td>3-1/8</td> <td>40</td> <td>1-9/16</td> <td>L - M - H</td> </tr> <tr> <td>90</td> <td>3-9/16</td> <td>45</td> <td>1-3/4</td> <td>L - M - H</td> </tr> </tbody> </table>	mm	inch	mm	inch	L - M - H	55	2-3/16	27	1-1/16	L - M - H	60	2-3/8	30	1-3/16	L - M - H	70	2-3/4	35	1-3/8	L - M - H	80	3-1/8	40	1-9/16	L - M - H	90	3-9/16	45	1-3/4	L - M - H	
mm	inch	mm	inch	L - M - H																														
55	2-3/16	27	1-1/16	L - M - H																														
60	2-3/8	30	1-3/16	L - M - H																														
70	2-3/4	35	1-3/8	L - M - H																														
80	3-1/8	40	1-9/16	L - M - H																														
90	3-9/16	45	1-3/4	L - M - H																														
	 	<p>A RICHIESTA: GUIDE FUORI MISURA ON REQUEST: ALL THE OTHER SIZES</p>																																

GO 325/1 = GO 325+CF 324 GO 325/2 = GO 325+CF 326 GO 325/3 = GO 325+CF 327	ELBOW BINDER FOR WAIST BANDS	BORDATORE AD ANGOLO PER CINTURE	BORDEUR ANGULAIRE POUR CEINTURES	GUIADOR A ANGULO RECTO PARA PRETINAS																																																																						
			  																																																																							
			<table border="1" style="width:100%; border-collapse: collapse;"> <thead> <tr> <th>mm</th> <th>inch</th> <th>mm</th> <th>inch</th> <th>L - M - H</th> </tr> </thead> <tbody> <tr> <td>70</td> <td>2-3/4</td> <td>25</td> <td>1</td> <td>L</td> </tr> <tr> <td>80</td> <td>3-1/8</td> <td>28</td> <td>1-1/8</td> <td>L</td> </tr> <tr> <td>85</td> <td>3-3/8</td> <td>32</td> <td>1-1/4</td> <td>L</td> </tr> <tr> <td>85</td> <td>3-3/8</td> <td>30</td> <td>1-3/16</td> <td>L - M - H</td> </tr> <tr> <td>90</td> <td>3-17/32</td> <td>34</td> <td>1-11/32</td> <td>L</td> </tr> <tr> <td>90</td> <td>3-17/32</td> <td>33</td> <td>1-5/16</td> <td>M - H</td> </tr> <tr> <td>95</td> <td>3-3/4</td> <td>36</td> <td>1-7/16</td> <td>L - M - H</td> </tr> <tr> <td>100</td> <td>3-15/16</td> <td>40</td> <td>1-9/16</td> <td>L - M - H</td> </tr> <tr> <td>105</td> <td>4-1/8</td> <td>43</td> <td>1-11/16</td> <td>L - M - H</td> </tr> <tr> <td>110</td> <td>4-5/16</td> <td>45</td> <td>1-3/4</td> <td>L - M - H</td> </tr> <tr> <td>120</td> <td>4-3/4</td> <td>50</td> <td>2</td> <td>L - M - H</td> </tr> <tr> <td>130</td> <td>5-1/8</td> <td>55</td> <td>2-3/16</td> <td>L - M - H</td> </tr> <tr> <td>140</td> <td>5-1/2</td> <td>60</td> <td>2-3/8</td> <td>L - M - H</td> </tr> </tbody> </table>	mm	inch	mm	inch	L - M - H	70	2-3/4	25	1	L	80	3-1/8	28	1-1/8	L	85	3-3/8	32	1-1/4	L	85	3-3/8	30	1-3/16	L - M - H	90	3-17/32	34	1-11/32	L	90	3-17/32	33	1-5/16	M - H	95	3-3/4	36	1-7/16	L - M - H	100	3-15/16	40	1-9/16	L - M - H	105	4-1/8	43	1-11/16	L - M - H	110	4-5/16	45	1-3/4	L - M - H	120	4-3/4	50	2	L - M - H	130	5-1/8	55	2-3/16	L - M - H	140	5-1/2	60	2-3/8	L - M - H	
mm	inch	mm	inch	L - M - H																																																																						
70	2-3/4	25	1	L																																																																						
80	3-1/8	28	1-1/8	L																																																																						
85	3-3/8	32	1-1/4	L																																																																						
85	3-3/8	30	1-3/16	L - M - H																																																																						
90	3-17/32	34	1-11/32	L																																																																						
90	3-17/32	33	1-5/16	M - H																																																																						
95	3-3/4	36	1-7/16	L - M - H																																																																						
100	3-15/16	40	1-9/16	L - M - H																																																																						
105	4-1/8	43	1-11/16	L - M - H																																																																						
110	4-5/16	45	1-3/4	L - M - H																																																																						
120	4-3/4	50	2	L - M - H																																																																						
130	5-1/8	55	2-3/16	L - M - H																																																																						
140	5-1/2	60	2-3/8	L - M - H																																																																						
	 	<p>A RICHIESTA: GUIDE FUORI MISURA ON REQUEST: ALL THE OTHER SIZES</p>																																																																								

GO 328/1= GO 328+CF 324	ELBOW BINDER FOR BATH WRAPS	BORDATORE AD ANGOLO PER PARAMONTURA ACCAPPATOIO	BORDEUR ANGULAIRE POUR PAREMENTURES DES PEIGNOIRS	GUIADOR A ANGULO RECTO PARA EL ACABADO DE ALBORNOCES
GO 328/2= GO 328+CF 326				
GO 328/3= GO 328+CF 327				

CF 326 RIMOLDI

CF 324 UNIVERSAL

CF 327 SINGER

GO 328

mm	inch	mm	inch
80	3-3/16	25	1
90	3-9/16	30	1-3/16
100	3-15/16	35	1-3/8
110	4-5/16	40	1-9/16
120	4-3/4	45	1-3/4
			XH
			XH
			XH
			XH

**A RICHIESTA:
GUIDE FUORI MISURA
ON REQUEST:
ALL THE OTHER SIZES**

GO 329/1= GO 329+CF 324	ELBOW BINDER WITH ELASTIC INSERTION	BORDATORE AD ANGOLO CON INSERIMENTO DI ELASTICO	BORDEUR ANGULAIRE AVEC ELASTIQUE	GUIADOR A ANGULO RECTO CON ELASTICO
GO 329/2= GO 329+CF 326				
GO 329/3= GO 329+CF 327				

CF 324 UNIVERSAL

CF 326 RIMOLDI

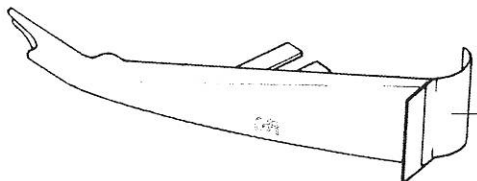
CF 327 SINGER

GO 329

mm	inch	mm	inch
80	3-1/8	28	1-1/8
85	3-1/8	32	1-1/4
90	3-9/16	34	1-11/32
95	3-3/4	36	1-7/16
105	4-1/8	43	1-11/16
85	3-3/8	30	1-3/16
90	3-3/16	33	1-5/16
95	3-3/4	36	1-7/16
105	4-1/8	43	1-11/16
85	3-3/8	30	1-3/16
90	3-9/16	33	1-5/16
95	3-3/4	36	1-7/16
105	4-1/8	43	1-11/16
			L
			L
			L
			L
			M
			M
			M
			M
			H
			H
			H
			H

**A RICHIESTA:
GUIDE FUORI MISURA
ON REQUEST:
ALL THE OTHER SIZES**

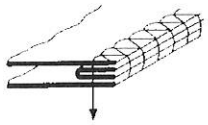
GO 330	PIPING ATTACHMENT FOR OVERLOCK MACHINE	PROFILATORE PER TAGLIACUCE	GUIDE PASSEPOIL POUR SURJETEUSE	GUIA DE VIVO PARA OVERLOCK
---------------	--	----------------------------	---------------------------------	----------------------------

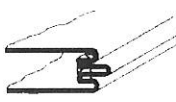


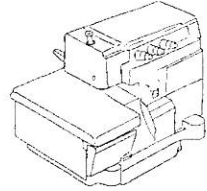
GO 330

GO 432 - Rimoldi
GO 433 - Union Special
GO 439 - Brother
GO 440 - Yamato
GO 443 - Juki
GO 446 - Willcox & Gibbs
GO 447 - Willcox & Gibbs

mm		inch		mm		inch		
14	9/16	7	9/32					M
16	5/8	8	5/16					M
19	3/4	9	11/32					M
20	3/4	10	3/8					H
22	7/8	11	7/16					M - H
25	1	12	1/2					M - H
30	1-3/16	15	19/32					M - H
35	1-3/8	17	11/16					M - H
40	1-9/16	20	13/16					M - H
45	1-3/4	22	7/8					M - H



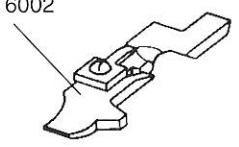




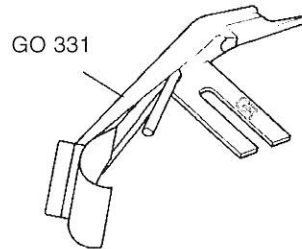
**A RICHIESTA:
GUIDE FUORI MISURA
ON REQUEST:
ALL THE OTHER SIZES**

GO 331	CORD EDGE PIPING ATTACHMENT FOR OVERLOCK	PROFILATORE CON CORDONETTO PER TAGLIACUCE	GUIDE PASSEPOIL AVEC CORDONNET POUR SURJETEUSE	GUIA DE VIVO CON CORDON PARA OVERLOCK
---------------	--	---	--	---------------------------------------

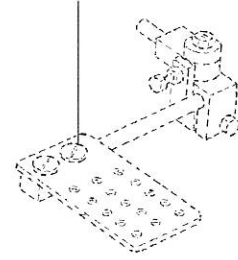
BM 6001
BM 6002



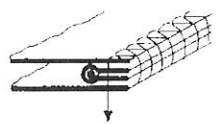
GO 331




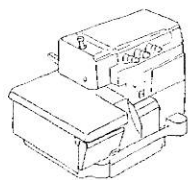
GO 432 - Rimoldi
GO 433 - Union Special
GO 439 - Brother
GO 440 - Yamato
GO 443 - Juki
GO 446 - Willcox & Gibbs
GO 447 - Willcox & Gibbs



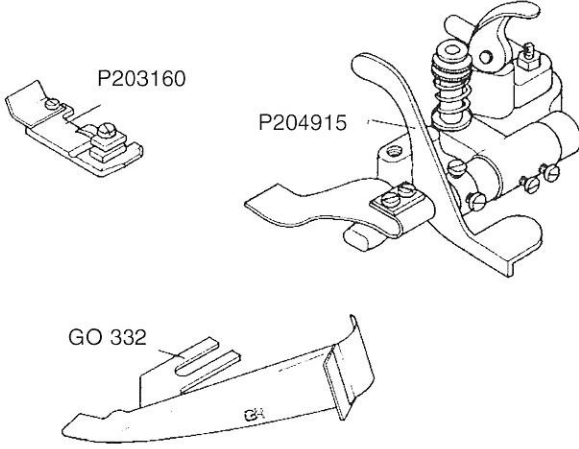
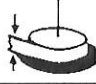

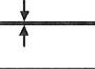
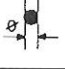
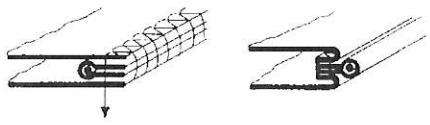
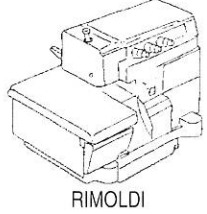
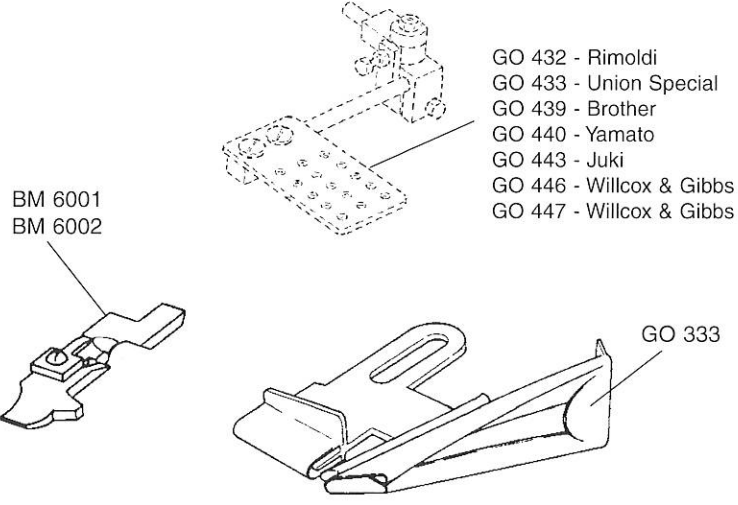
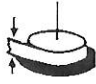

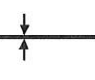
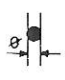
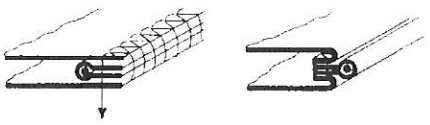
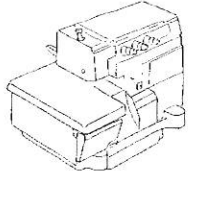
mm		inch		mm		inch			mm		inch	
19	3/4	9	11/32					M	1,5	1/16		
25	1	12	15/32					M	2,5	3/32		
30	1-3/16	15	19/32					M	3,5	9/64		







**A RICHIESTA:
GUIDE FUORI MISURA
ON REQUEST:
ALL THE OTHER SIZES**

<p>GO 332</p>	<p>CORD EDGE PIPING ATTACHMENT FOR RIMOLDI OVERLOCK RUFFLER MACHINE</p>	<p>PROFILATORE CON CORDONETTO PER ARRICCIATORE SU TAGLIACUCE</p>	<p>GUIDE PASSEPOIL AVEC CORDONNET POUR FRONCEUR SUR SURJETEUSE</p>	<p>GUIA DE VIVO CON CORDON PARA FRUNCIDORES EN OVERLOCK</p>		
						
			 <p>RIMOLDI</p>	<p>A RICHIESTA: GUIDE FUORI MISURA ON REQUEST: ALL THE OTHER SIZES</p>		
<p>GO 333</p>	<p>PIPING ATTACHMENT FOR OVERLOCK</p>	<p>PROFILATORE PER TAGLIACUCE</p>	<p>GUIDE PASSEPOIL POUR SURJETEUSE</p>	<p>GUIA DE VIVO PARA OVERLOCK</p>		
 <p>BM 6001 BM 6002</p> <p>GO 432 - Rimoldi GO 433 - Union Special GO 439 - Brother GO 440 - Yamato GO 443 - Juki GO 446 - Willcox & Gibbs GO 447 - Willcox & Gibbs</p>						
				<p>A RICHIESTA: GUIDE FUORI MISURA ON REQUEST: ALL THE OTHER SIZES</p>		

GO 335 SET	WAISTBAND FOLDER FOR CONTINUOUS STRIPS	GUIDA PER CINTURE CON INSERIMENTO DI FETTUCCE CONTINUE	GUIDE CEINTURE POUR BANDES EN CONTINU	GUIADOR PARA PRETINAS CON INSERCIÓN DE TIRAS CONTINUAS
-------------------	--	--	---	--

• = GO 335 SET

• GO 334

• GO 335

mm		inch		
51	2	30	1-3/16	L
57	2-1/4	36	1-7/16	L
63	2-1/2	43	1-11/16	L
51	2	30	1-3/16	MH
57	2-1/4	36	1-7/16	MH
63	2-1/2	43	1-11/16	MH

**A RICHIESTA:
GUIDE FUORI MISURA
ON REQUEST:
ALL THE OTHER SIZES**

GO 337	WAISTBAND FOLDER FOR SHAPED STRIPS	GUIDA PER CINTURE CON INSERIMENTO DI LISTE SAGOMATE	GUIDE CEINTURE EN FORME	GUIADOR PARA CINTAS CON TIRAS CORTADAS EN CURVO
---------------	--	---	-------------------------------	---

mm		inch		
63	2-1/2	37	1-7/16	M - H
70	2-3/4	44	1-3/4	M - H
80	3-1/8	50	1-2	M - H

**A RICHIESTA:
GUIDE FUORI MISURA
ON REQUEST:
ALL THE OTHER SIZES**

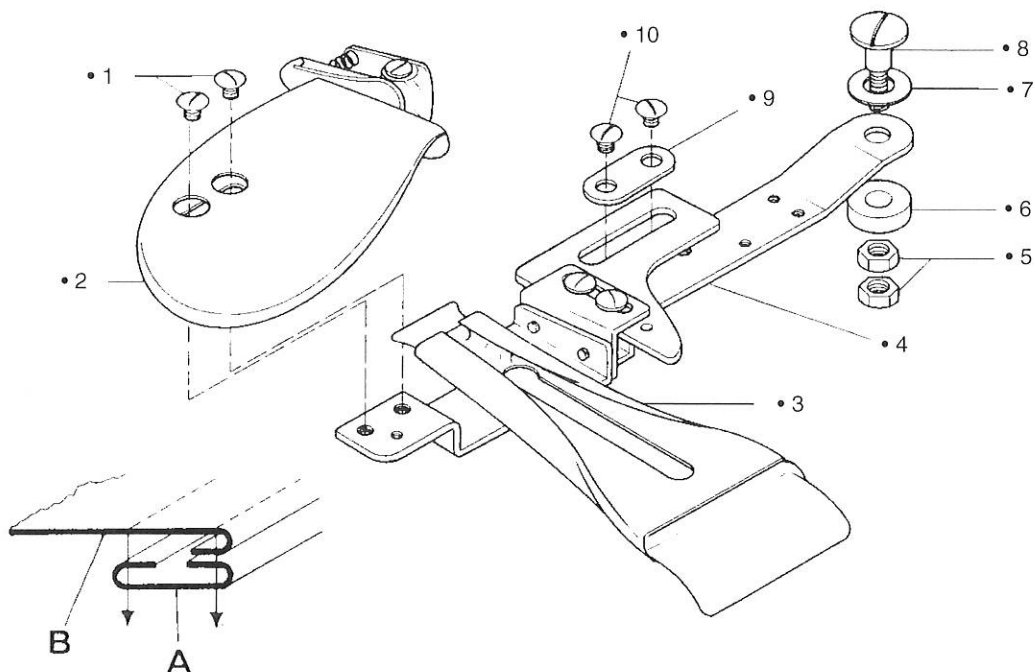
GO 340 SET

WAISTBAND
FOLDER

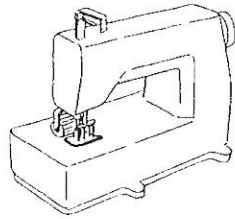
GUIDA
PER CINTURE

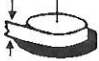



GUIDE
CEINTURE

GUIADOR
PARA PRETINAS

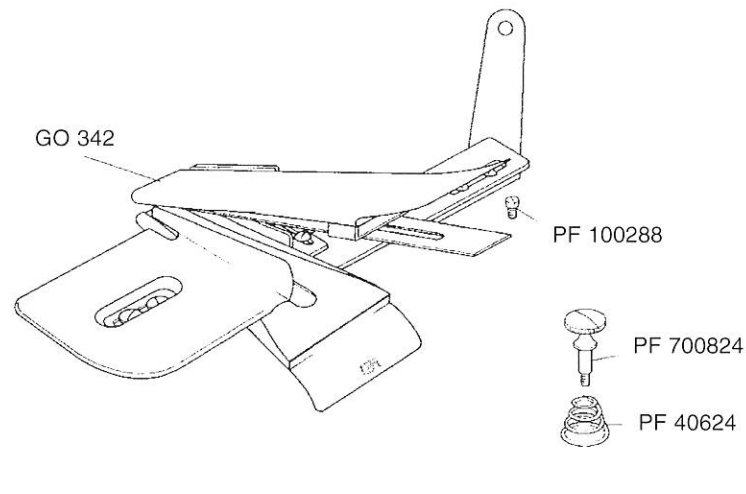


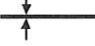


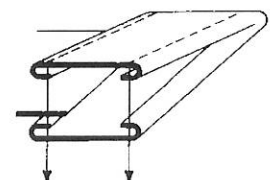
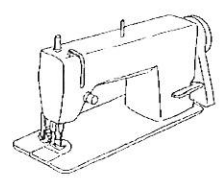
2

Pos.	Code No. UNION SPECIAL	Code No. RIMOLDI	Code No. KANSAI	
•	GO 340/2 SET	GO 340/1 SET	GO 340/3 SET	
1	CF A2012	CF A2012	CF A2012	
2	GO 338	GO 338	GO 338	
3	GO 339	GO 339	GO 339	
4	GO 428	GO 427	GO 426	
5	P746407			
6	CF A2066			
7	P702437			
8	CF A2067			
9	CF A2065	CF A2065	CF A2065	
10	CF A1084	CF A1084	CF A1084	

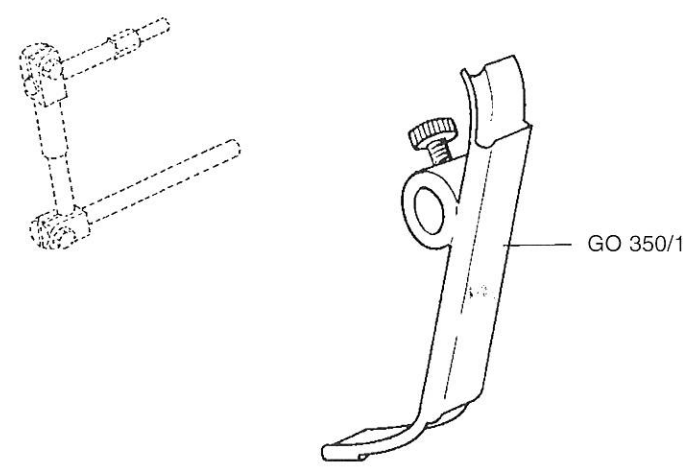



 A		 A		 B		 B	
mm	inch			A	B	Adjustable from 10 to 20 mm	A RICHIESTA: GUIDE FUORI MISURA ON REQUEST: ALL THE OTHER SIZES
51	2	30	1-3/16	L	M		
57	2-1/4	36	1-7/16	L	M	Adjustable from 3/8 to 25/32 inch	
63	2-1/2	43	1-11/16	L	M		
51	2	30	1-3/16	M	H		
57	2-1/4	36	1-7/16	M	H		
63	2-1/2	43	1-11/16	M	H		
51	2	30	1-3/16	H	XH		
57	2-1/4	36	1-7/16	H	XH		
63	2-1/2	43	1-11/16	H	XH		

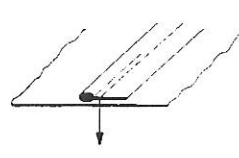
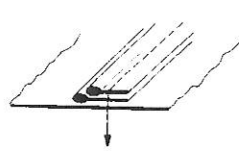
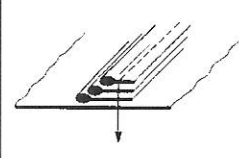
<p>GO 342</p>	<p>WAISTBAND FOLDER FOR SHORT STRIPS WITH INITIAL FINISHING</p>	<p>GUIDA PER CINTURE CON FINITURA ALL'INIZIO</p>	<p>GUIDE CEINTURE AVEC FINITION INITIALE</p>	<p>GUIADOR PARA PRETINAS CON ACABADO AL INICIO</p>
----------------------	---	--	--	--

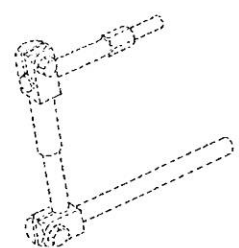
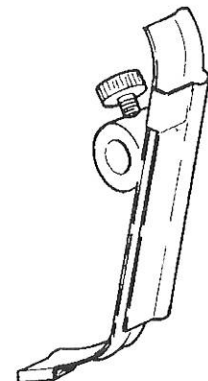
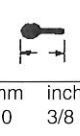
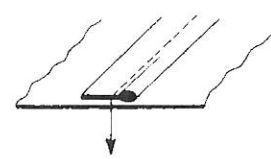
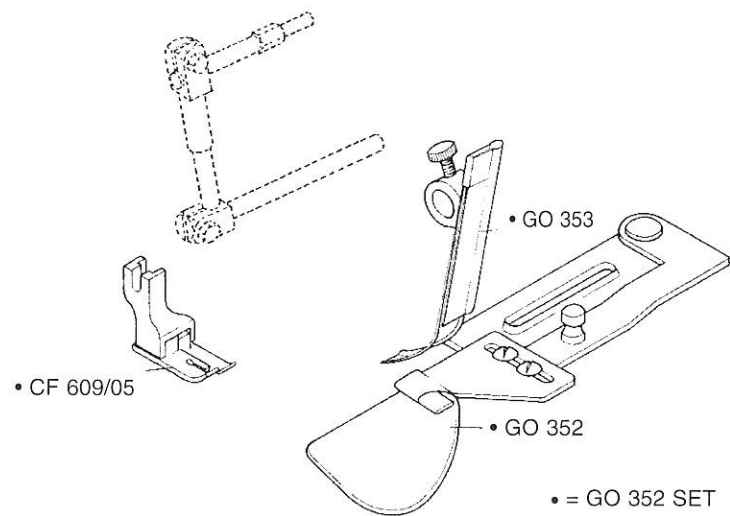
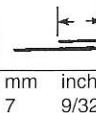
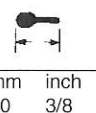
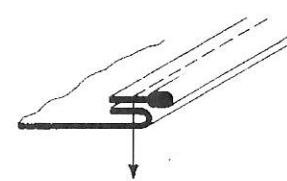
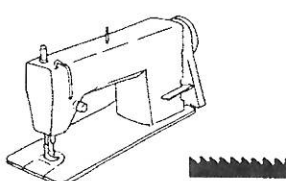
 <p>GO 342</p> <p>PF 100288</p> <p>PF 700824</p> <p>PF 40624</p>																						
	<table border="1"> <tr> <th>mm</th> <th>inch</th> </tr> <tr> <td>51</td> <td>2</td> </tr> <tr> <td>57</td> <td>2-1/4</td> </tr> <tr> <td>63</td> <td>2-1/2</td> </tr> </table>	mm	inch	51	2	57	2-1/4	63	2-1/2	<table border="1"> <tr> <th>mm</th> <th>inch</th> </tr> <tr> <td>30</td> <td>1-3/16</td> </tr> <tr> <td>36</td> <td>1-7/16</td> </tr> <tr> <td>43</td> <td>1-11/16</td> </tr> </table>	mm	inch	30	1-3/16	36	1-7/16	43	1-11/16	<table border="1"> <tr> <td>MH</td> </tr> <tr> <td>MH</td> </tr> <tr> <td>MH</td> </tr> </table>	MH	MH	MH
	mm	inch																				
51	2																					
57	2-1/4																					
63	2-1/2																					
mm	inch																					
30	1-3/16																					
36	1-7/16																					
43	1-11/16																					
MH																						
MH																						
MH																						
<p>A RICHIESTA: GUIDE FUORI MISURA ON REQUEST: ALL THE OTHER SIZES</p>																						

		<p>A RICHIESTA: GUIDE FUORI MISURA ON REQUEST: ALL THE OTHER SIZES</p>
--	--	---

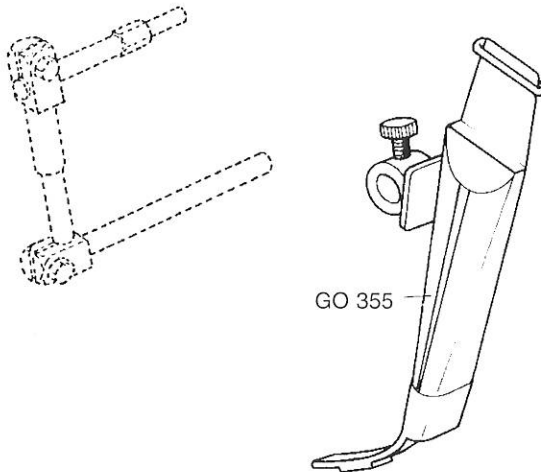
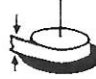

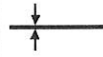
<p>GO 350</p>	<p>READY-MADE PIPING ATTACHMENT</p>	<p>GUIDA PER PROFILO PREFABBRICATO</p>	<p>GUIDE PASSEPOIL PREFABRIQUE</p>	<p>GUIA PARA VIVO PREFABRICADO</p>
----------------------	---	--	--	--

 <p>GO 350/1</p>	<p>GO 350/1</p> 	<p>GO 350/2</p> 	<p>GO 350/3</p> 												
	<table border="1"> <tr> <th>mm</th> <th>inch</th> </tr> <tr> <td>10</td> <td>3/8</td> </tr> </table>	mm	inch	10	3/8	<table border="1"> <tr> <th>mm</th> <th>inch</th> </tr> <tr> <td>12</td> <td>1/2</td> </tr> </table>	mm	inch	12	1/2	<table border="1"> <tr> <th>mm</th> <th>inch</th> </tr> <tr> <td>15</td> <td>19/32</td> </tr> </table>	mm	inch	15	19/32
	mm	inch													
10	3/8														
mm	inch														
12	1/2														
mm	inch														
15	19/32														
<p>A RICHIESTA: GUIDE FUORI MISURA ON REQUEST: ALL THE OTHER SIZES</p>															

<p>GO 350/1</p> 	<p>GO 350/2</p> 	<p>GO 350/3</p> 	<p>A RICHIESTA: GUIDE FUORI MISURA ON REQUEST: ALL THE OTHER SIZES</p>
---	---	---	---

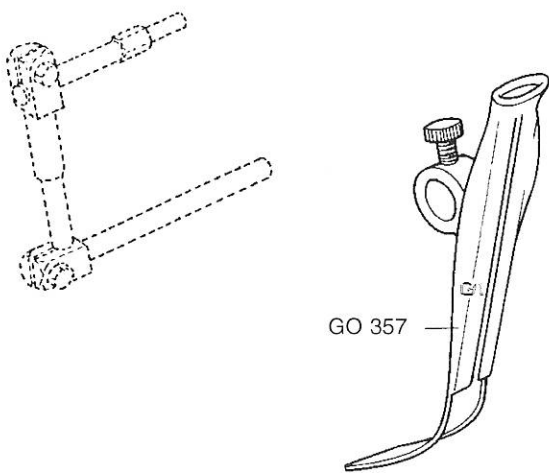
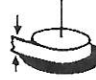

<p>GO 351</p>	<p>READY-MADE PIPING ATTACHMENT</p>	<p>GUIDA PER PROFILO PREFABBRICATO</p>	<p>GUIDE PASSEPOIL PREFABRIQUE</p>	<p>GUIA PARA VIVO PREFABRICADO</p>
				
		<p>A RICHIESTA: GUIDE FUORI MISURA ON REQUEST: ALL THE OTHER SIZES</p>		
<p>GO 352 SET</p>	<p>READY-MADE PIPING ATTACHMENT WITH FOOT</p>	<p>GUIDA PER PROFILO PREFABBRICATO CON PIEDINO</p>	<p>GUIDE PASSEPOIL PREFABRIQUE AVEC PIED-DE BICHE</p>	<p>GUIA PARA VIVO PREFABRICADO CON PRENSATELAS</p>
 <p>• CF 609/05</p> <p>• GO 353</p> <p>• GO 352</p> <p>• = GO 352 SET</p>				
				<p>A RICHIESTA: GUIDE FUORI MISURA ON REQUEST: ALL THE OTHER SIZES</p>

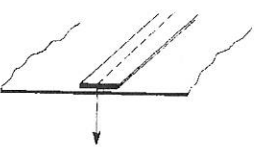
GO 355	FOLDER FOR PIPING	PIEGATORE PER PROFILO	GUIDE POUR PASSEPOIL	GUIA PARA VIVO
---------------	-------------------	-----------------------	----------------------	----------------

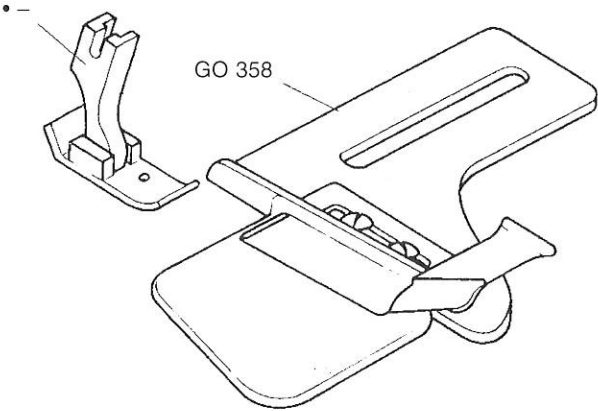
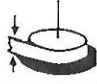


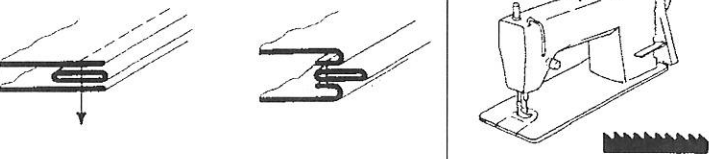
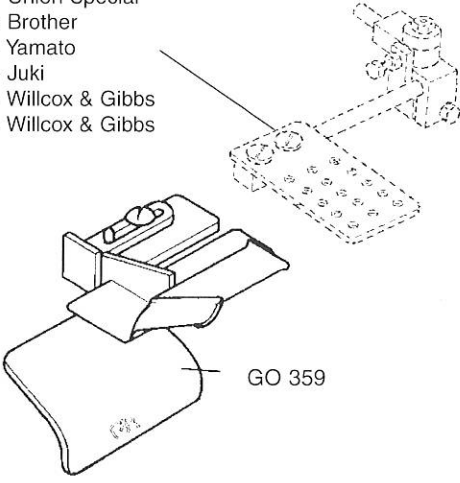
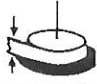

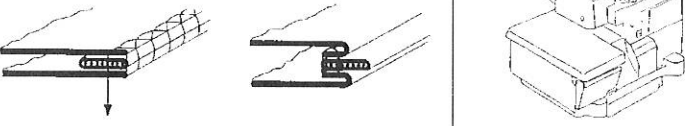
 <p style="text-align: center;">GO 355</p>																																																																	
	<table border="1"> <thead> <tr> <th>mm</th> <th>inch</th> <th>mm</th> <th>inch</th> <th></th> </tr> </thead> <tbody> <tr><td>15</td><td>19/32</td><td>7,5</td><td>19/64</td><td>L</td></tr> <tr><td>20</td><td>3/4</td><td>10</td><td>3/8</td><td>L</td></tr> <tr><td>25</td><td>1</td><td>12,5</td><td>1/2</td><td>L</td></tr> <tr><td>30</td><td>1-3/16</td><td>15</td><td>19/32</td><td>L</td></tr> <tr><td>15</td><td>19/32</td><td>7,5</td><td>19/64</td><td>M</td></tr> <tr><td>20</td><td>3/4</td><td>10</td><td>3/8</td><td>M</td></tr> <tr><td>25</td><td>1</td><td>12,5</td><td>1/2</td><td>M</td></tr> <tr><td>30</td><td>1-3/16</td><td>15</td><td>19/32</td><td>M</td></tr> <tr><td>15</td><td>19/32</td><td>7,5</td><td>19/64</td><td>H</td></tr> <tr><td>20</td><td>3/4</td><td>10</td><td>3/8</td><td>H</td></tr> <tr><td>25</td><td>1</td><td>12,5</td><td>1/2</td><td>H</td></tr> <tr><td>30</td><td>1-3/16</td><td>15</td><td>19/32</td><td>H</td></tr> </tbody> </table>	mm	inch	mm	inch		15	19/32	7,5	19/64	L	20	3/4	10	3/8	L	25	1	12,5	1/2	L	30	1-3/16	15	19/32	L	15	19/32	7,5	19/64	M	20	3/4	10	3/8	M	25	1	12,5	1/2	M	30	1-3/16	15	19/32	M	15	19/32	7,5	19/64	H	20	3/4	10	3/8	H	25	1	12,5	1/2	H	30	1-3/16	15	19/32
mm	inch	mm	inch																																																														
15	19/32	7,5	19/64	L																																																													
20	3/4	10	3/8	L																																																													
25	1	12,5	1/2	L																																																													
30	1-3/16	15	19/32	L																																																													
15	19/32	7,5	19/64	M																																																													
20	3/4	10	3/8	M																																																													
25	1	12,5	1/2	M																																																													
30	1-3/16	15	19/32	M																																																													
15	19/32	7,5	19/64	H																																																													
20	3/4	10	3/8	H																																																													
25	1	12,5	1/2	H																																																													
30	1-3/16	15	19/32	H																																																													

	<p>A RICHIESTA: GUIDE FUORI MISURA ON REQUEST: ALL THE OTHER SIZES</p>
--	---

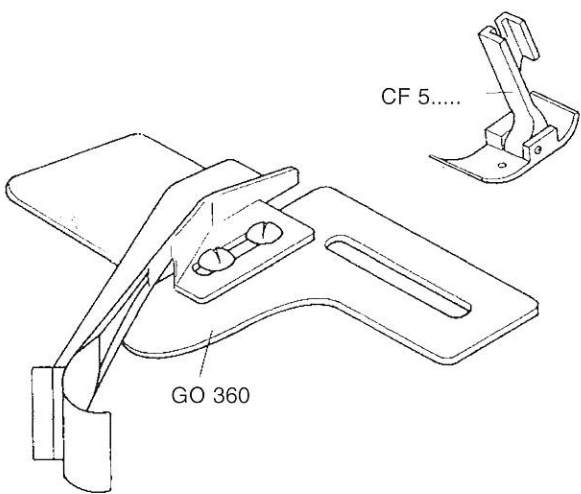
GO 357	ATTACHMENT FOR INSERTION OF A READY-MADE EDGING	GUIDA PER INSERIMENTO BANDA PREFABBRICATA	GUIDE POUR POSE DE PETITES BANDES PREFABRIQUEES	GUIA PARA INSERCIÓN DE TIRAS PREFABRICADAS
---------------	---	---	---	--

 <p style="text-align: center;">GO 357</p>												
	<table border="1"> <thead> <tr> <th>mm</th> <th>inch</th> <th></th> </tr> </thead> <tbody> <tr><td>7</td><td>9/32</td><td>M</td></tr> <tr><td>8</td><td>5/16</td><td>M</td></tr> <tr><td>10</td><td>3/8</td><td>M</td></tr> </tbody> </table>	mm	inch		7	9/32	M	8	5/16	M	10	3/8
mm	inch											
7	9/32	M										
8	5/16	M										
10	3/8	M										

	<p>A RICHIESTA: GUIDE FUORI MISURA ON REQUEST: ALL THE OTHER SIZES</p>
---	---


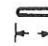


<p>GO 358</p>	<p>ATTACHMENT FOR INSERTION OF A READY-MADE EDGING</p>	<p>GUIDA PER INSERIMENTO BANDA PREFABBRICATA</p>	<p>GUIDE POUR POSE DE PETITES BANDES PREFABRIQUEES</p>	<p>GUIA PARA INSERCIÓN DE TIRAS PREFABRICADAS</p>																					
 <p>GO 358</p>			 <table border="1"> <thead> <tr> <th>mm</th> <th>inch</th> </tr> </thead> <tbody> <tr> <td>7</td> <td>9/32</td> </tr> <tr> <td>9</td> <td>11/32</td> </tr> <tr> <td>10</td> <td>3/8</td> </tr> </tbody> </table>	mm	inch	7	9/32	9	11/32	10	3/8	 <table border="1"> <tbody> <tr> <td>M</td> </tr> <tr> <td>M</td> </tr> <tr> <td>M</td> </tr> </tbody> </table>	M	M	M	 <table border="1"> <tbody> <tr> <td>CF 506</td> </tr> <tr> <td>CF 508</td> </tr> <tr> <td>CF 509</td> </tr> </tbody> </table>	CF 506	CF 508	CF 509						
mm	inch																								
7	9/32																								
9	11/32																								
10	3/8																								
M																									
M																									
M																									
CF 506																									
CF 508																									
CF 509																									
			<p>A RICHIESTA: GUIDE FUORI MISURA ON REQUEST: ALL THE OTHER SIZES</p>																						
<p>GO 359</p>	<p>ATTACHMENT FOR INSERTION OF A READY-MADE EDGING FOR OVERLOCK</p>	<p>GUIDA PER INSERIMENTO BANDA PREFABBRICATA PER TAGLIACUCE</p>	<p>GUIDE POUR POSE DE PETITES BANDES PREFABRIQUEES SUR SURJETEUSES</p>	<p>GUIA PARA INSERCIÓN DE TIRAS PREFABRICADAS PARA OVERLOCK</p>																					
<p>GO 432 - Rimoldi GO 433 - Union Special GO 439 - Brother GO 440 - Yamato GO 443 - Juki GO 446 - Willcox & Gibbs GO 447 - Willcox & Gibbs</p>  <p>GO 359</p>			 <table border="1"> <thead> <tr> <th>mm</th> <th>inch</th> </tr> </thead> <tbody> <tr> <td>7</td> <td>9/32</td> </tr> <tr> <td>8</td> <td>5/16</td> </tr> <tr> <td>9</td> <td>11/32</td> </tr> <tr> <td>10</td> <td>3/8</td> </tr> <tr> <td>10</td> <td>3/8</td> </tr> <tr> <td>12</td> <td>1/2</td> </tr> </tbody> </table>	mm	inch	7	9/32	8	5/16	9	11/32	10	3/8	10	3/8	12	1/2	 <table border="1"> <tbody> <tr> <td>M</td> </tr> <tr> <td>M</td> </tr> <tr> <td>M</td> </tr> <tr> <td>M</td> </tr> <tr> <td>H</td> </tr> <tr> <td>H</td> </tr> </tbody> </table>	M	M	M	M	H	H	
mm	inch																								
7	9/32																								
8	5/16																								
9	11/32																								
10	3/8																								
10	3/8																								
12	1/2																								
M																									
M																									
M																									
M																									
H																									
H																									
			<p>A RICHIESTA: GUIDE FUORI MISURA ON REQUEST: ALL THE OTHER SIZES</p>																						

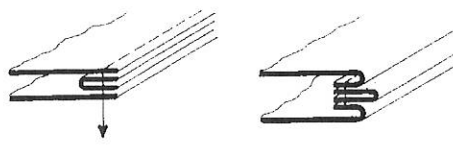
GO 360	PIPING ATTACHMENT FOR LOCKSTITCH	PROFILATORE PER MACCHINE LINEARI	GUIDE PASSEPOIL POUR PIQUEUSES	GUIA PARA VIVO EN MAQUINAS DE PESPUNTE
---------------	----------------------------------	----------------------------------	--------------------------------	--

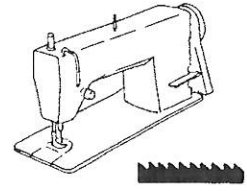


GO 360

CF 5.....

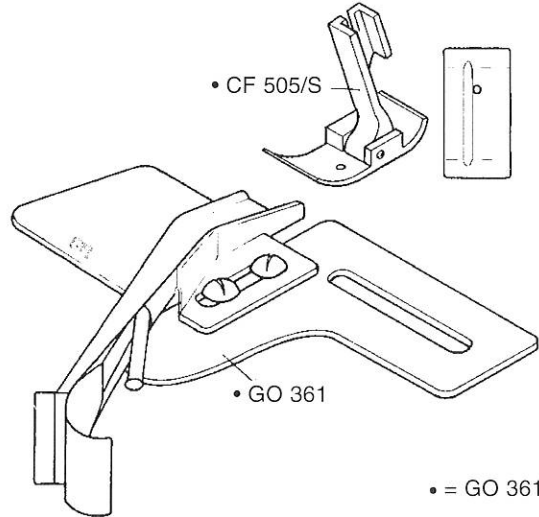
			
mm inch	mm inch		
14 9/16	7 9/32	M	CF 506
16 5/8	8 5/16	M	CF 507
19 3/4	9,5 3/8	M	CF 508
20 13/16	10 13/32	H	CF 509
22 7/8	11 7/16	M - H	CF 510
25 1	12,5 1/2	M - H	CF 510
30 1-3/16	15 19/32	M - H	CF 512





**A RICHIESTA:
GUIDE FUORI MISURA
ON REQUEST:
ALL THE OTHER SIZES**





GO 361 SET	CORD EDGE PIPING ATTACHMENT WITH FOOT	PROFILATORE CON CORDONETTO COMPLETO DI PIEDINO	GUIDE POUR PASSEPOIL AVEC CORDONNET COMPLET AVEC PIED-DE-BICHE	GUIA PARA VIVO CON CORDON COMPLETA DE PRENSATELAS
-------------------	---------------------------------------	--	--	---




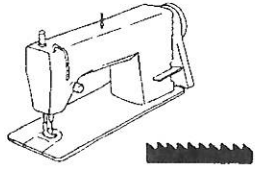
• CF 505/S

• GO 361

• = GO 361 SET

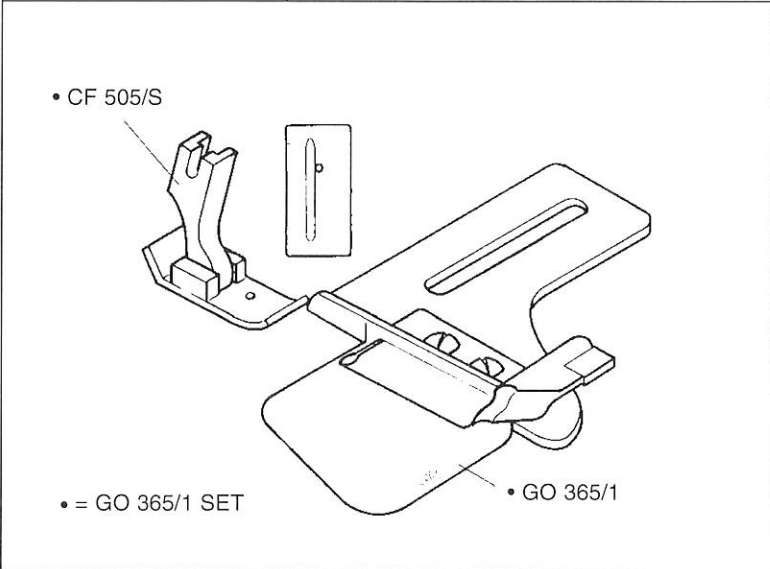
			
mm inch	mm inch		mm inch
14 9/16	7 9/32	M	2 5/64
19 3/4	9,5 3/8	M	2 5/64
20 13/16	10 13/32	M	2 5/64
22 7/8	11 7/16	M	2 5/64







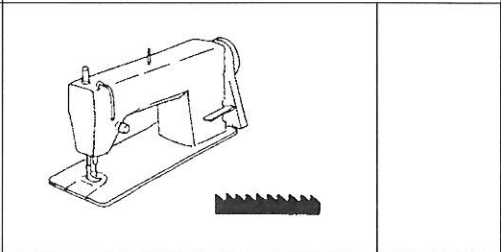
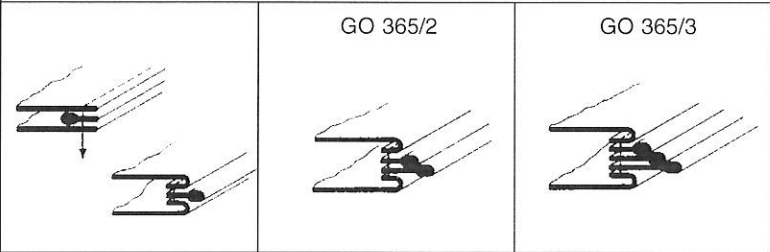
**A RICHIESTA:
GUIDE FUORI MISURA
ON REQUEST:
ALL THE OTHER SIZES**

<p>GO 365/1 SET</p>	<p>READY-MADE PIPING ATTACHMENT WITH FOOT</p>	<p>GUIDA PER PROFILO PREFABBRICATO CON PIEDINO</p>	<p>GUIDE POUR PASSEPOIL PREFABRIQUE AVEC PIED-DE-BICHE</p>	<p>GUIA PARA VIVO PREFABRICADO CON PRENSATELAS</p>
----------------------------	---	--	--	--

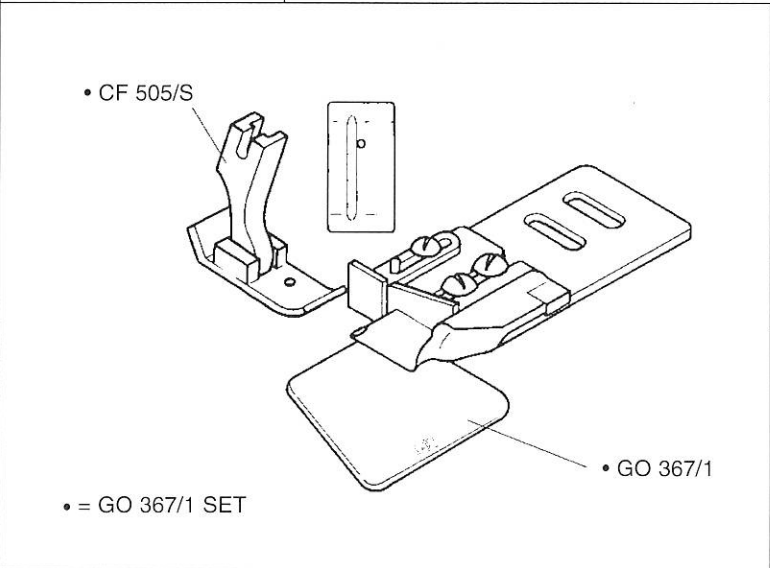




			
GO 365/1	mm 8	inch 5/16	CF 505/S
GO 365/2	10	3/8	CF 505/S
GO 365/3	12	1/2	
	15	19/32	

**A RICHIESTA:
GUIDE FUORI MISURA
ON REQUEST:
ALL THE OTHER SIZES**

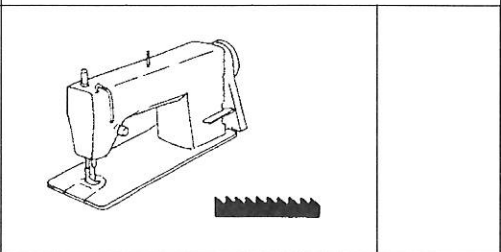
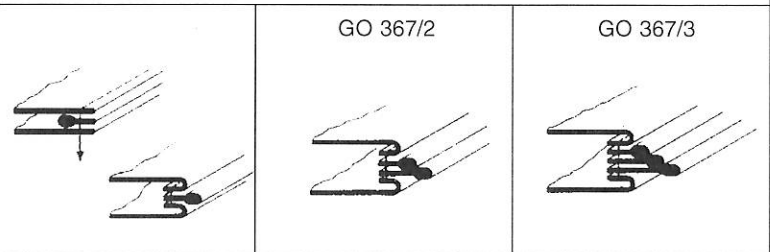


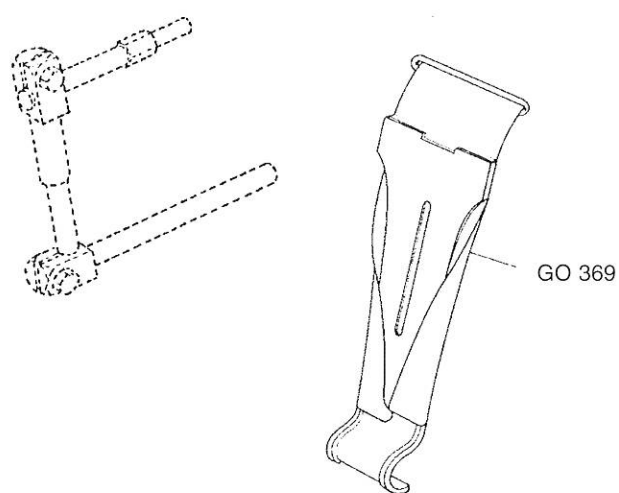

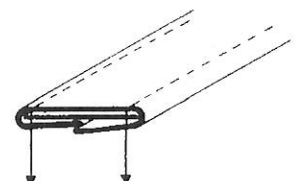
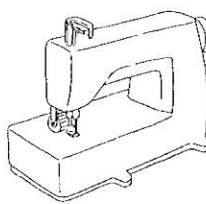
<p>GO 367/1 SET</p>	<p>ADJUSTABLE READY-MADE PIPING ATTACHMENT WITH FOOT</p>	<p>GUIDA REGOLABILE PER PROFILO PREFABBRICATO CON PIEDINO</p>	<p>GUIDE REGLABLE POUR PASSEPOIL PREFABRIQUE AVEC PIED-DE-BICHE</p>	<p>GUIA REGULABLE PARA VIVO PREFABRICADO CON PRENSATELAS</p>
----------------------------	--	---	---	--

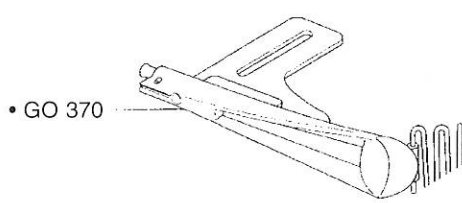
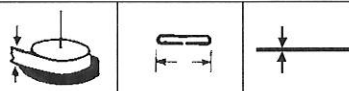

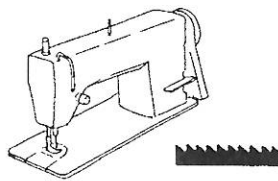


			
GO 367/1	mm 8	inch 5/16	CF 505/S
GO 367/2	10	3/8	CF 505/S
GO 367/3	12	1/2	
	15	19/32	

**A RICHIESTA:
GUIDE FUORI MISURA
ON REQUEST:
ALL THE OTHER SIZES**



<h2>GO 369</h2>	TAPE FOLDER WITH REINFORCEMENT	GUIDA PER BANDE CON RINFORZO	GUIDE BANDES AVEC RENFORT	GUIA PARA BANDAS CON REFUERZO																																								
		 <table border="1" data-bbox="933 380 1173 582"> <thead> <tr> <th>mm</th> <th>inch</th> <th>mm</th> <th>inch</th> <th></th> </tr> </thead> <tbody> <tr> <td>45</td> <td>1-3/4</td> <td>21</td> <td>53/64</td> <td>L</td> </tr> <tr> <td>55</td> <td>2-3/16</td> <td>26</td> <td>1-1/32</td> <td>L</td> </tr> <tr> <td>59</td> <td>2-5/16</td> <td>28</td> <td>1-7/64</td> <td>L</td> </tr> <tr> <td>65</td> <td>2-9/16</td> <td>31</td> <td>1-7/32</td> <td>L</td> </tr> <tr> <td>71</td> <td>2-13/16</td> <td>34</td> <td>1-11/32</td> <td>L</td> </tr> <tr> <td>75</td> <td>2-15/16</td> <td>36</td> <td>1-27/64</td> <td>L</td> </tr> <tr> <td>85</td> <td>3-3/8</td> <td>41</td> <td>1-5/8</td> <td>L</td> </tr> </tbody> </table>		mm	inch	mm	inch		45	1-3/4	21	53/64	L	55	2-3/16	26	1-1/32	L	59	2-5/16	28	1-7/64	L	65	2-9/16	31	1-7/32	L	71	2-13/16	34	1-11/32	L	75	2-15/16	36	1-27/64	L	85	3-3/8	41	1-5/8	L	
mm	inch	mm	inch																																									
45	1-3/4	21	53/64	L																																								
55	2-3/16	26	1-1/32	L																																								
59	2-5/16	28	1-7/64	L																																								
65	2-9/16	31	1-7/32	L																																								
71	2-13/16	34	1-11/32	L																																								
75	2-15/16	36	1-27/64	L																																								
85	3-3/8	41	1-5/8	L																																								
		<p>A RICHIESTA: GUIDE FUORI MISURA ON REQUEST: ALL THE OTHER SIZES</p>																																										

<h2>GO 370 SET</h2>	SPAGHETTI ATTACHMENT WITH PULLER FOR LOCKSTITCH MACHINES	APPARECCHIO SPAGHETTI CON PULLER PER MACCHINE LINEARI	GUIDE SPAGHETTI AVEC PULLER POUR PIQUEUSES	GUIA PARA ESPAGUETI CON PULLER EN MAQUINAS PLANAS																																																		
		 <table border="1" data-bbox="933 1355 1173 1601"> <thead> <tr> <th>mm</th> <th>inch</th> <th>mm</th> <th>inch</th> <th></th> </tr> </thead> <tbody> <tr> <td>16</td> <td>5/8</td> <td>4</td> <td>5/32</td> <td>L - M</td> </tr> <tr> <td>18</td> <td>11/16</td> <td>4,5</td> <td>3/16</td> <td>M</td> </tr> <tr> <td>20</td> <td>3/4</td> <td>5</td> <td>3/16</td> <td>M</td> </tr> <tr> <td>22</td> <td>7/8</td> <td>6</td> <td>1/4</td> <td>M</td> </tr> <tr> <td>25</td> <td>1</td> <td>7</td> <td>9/32</td> <td>M</td> </tr> <tr> <td>30</td> <td>1-3/16</td> <td>8</td> <td>5/16</td> <td>M</td> </tr> <tr> <td>35</td> <td>1-3/8</td> <td>10</td> <td>3/8</td> <td>M</td> </tr> <tr> <td>40</td> <td>1-9/16</td> <td>12</td> <td>1/2</td> <td>M</td> </tr> <tr> <td>50</td> <td>2</td> <td>20</td> <td>3/4</td> <td>M</td> </tr> </tbody> </table>		mm	inch	mm	inch		16	5/8	4	5/32	L - M	18	11/16	4,5	3/16	M	20	3/4	5	3/16	M	22	7/8	6	1/4	M	25	1	7	9/32	M	30	1-3/16	8	5/16	M	35	1-3/8	10	3/8	M	40	1-9/16	12	1/2	M	50	2	20	3/4	M	
mm	inch	mm	inch																																																			
16	5/8	4	5/32	L - M																																																		
18	11/16	4,5	3/16	M																																																		
20	3/4	5	3/16	M																																																		
22	7/8	6	1/4	M																																																		
25	1	7	9/32	M																																																		
30	1-3/16	8	5/16	M																																																		
35	1-3/8	10	3/8	M																																																		
40	1-9/16	12	1/2	M																																																		
50	2	20	3/4	M																																																		
		<p>A RICHIESTA: GUIDE FUORI MISURA ON REQUEST: ALL THE OTHER SIZES</p>																																																				

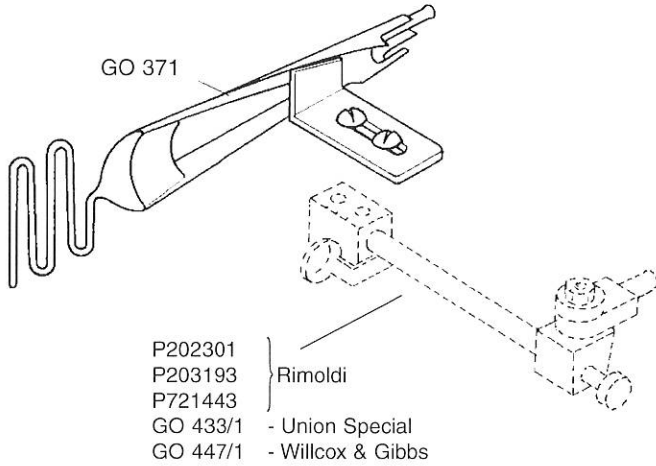
GO 371

SPAGHETTI
ATTACHMENT FOR
OVERLOCK

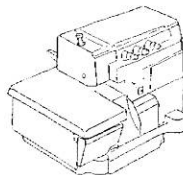
APPARECCHIO
SPAGHETTI PER
TAGLIACUCE

GUIDE
SPAGHETTI
POUR SURJETEUSE

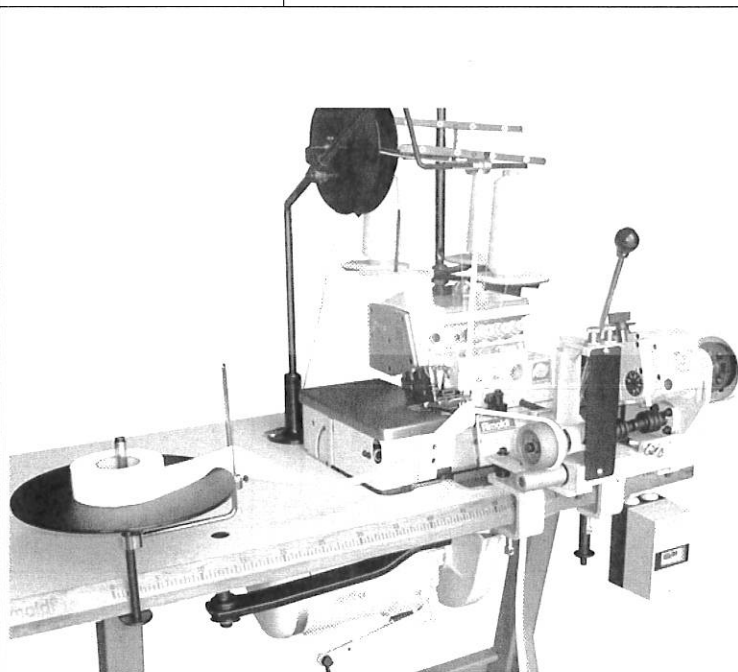
GUIA
ESPAGUETI
PARA OVERLOCK



mm		inch		
16	5/8	4	5/32	L
18	11/16	4,5	3/16	L
20	3/4	5	13/64	L - M
22	7/8	6	1/4	M
25	1	7	9/32	M
30	1-3/16	8	5/16	M
35	1-3/8	10	3/8	M
40	1-9/16	12	1/2	M
50	2	16	5/8	M
55	2-3/16	18	11/16	M

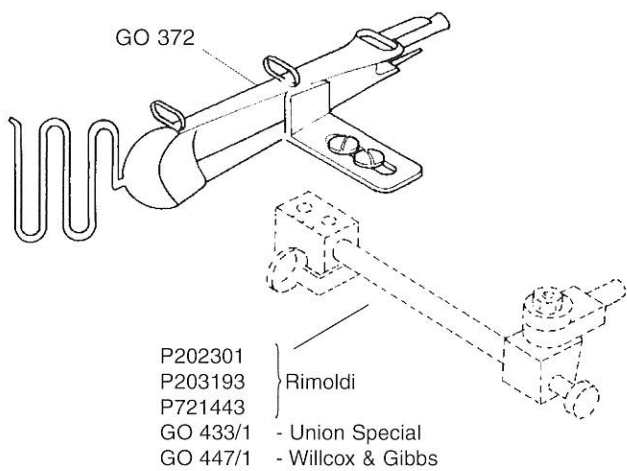




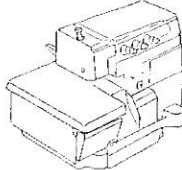


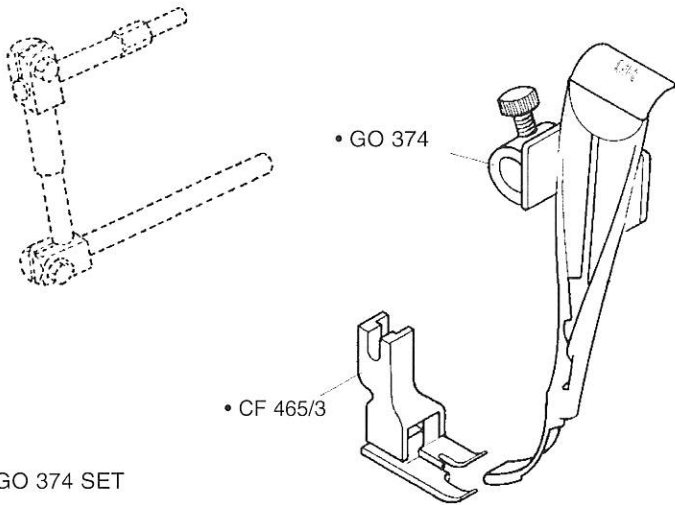
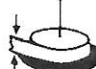


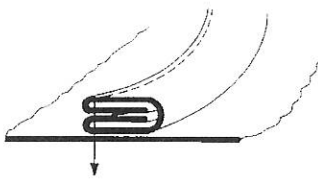
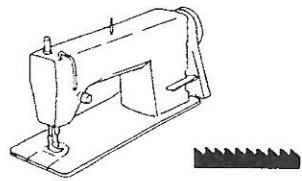
PULLER

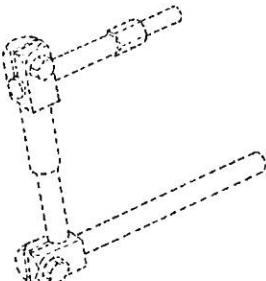
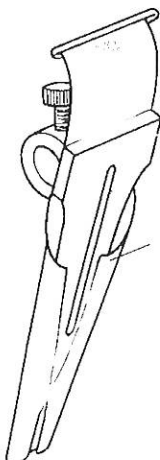



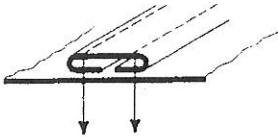
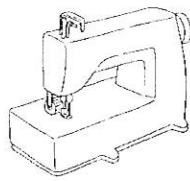


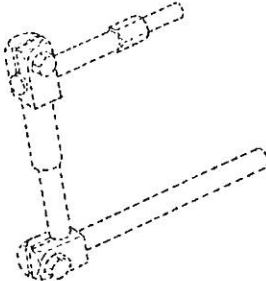
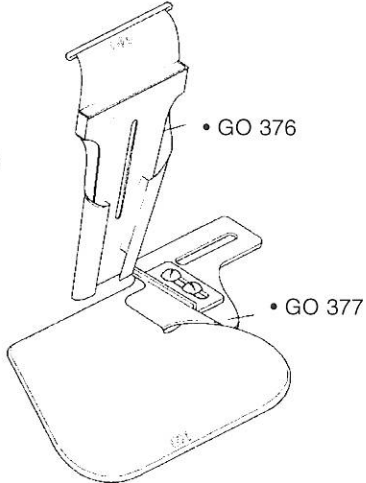

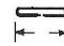

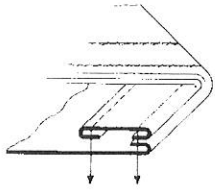
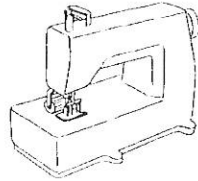
PULLER PER LINEARE
PULLER FOR LOCKSTITCH MACHINES
CF PY-SP

PULLER PER TAGLIACUCE
PULLER FOR OVERLOCK
CF PK-SP

<p>GO 372</p>	<p>SPAGHETTI ATTACHMENT WITH ELASTIC FOR OVERLOCK</p>	<p>APPARECCHIO SPAGHETTI CON ELASTICO PER TAGLIACUCE</p>	<p>GUIDE SPAGHETTI AVEC ELASTIQUE POUR SURJETEUSE</p>	<p>GUIA ESPAGUETI CON ELASTICO PARA OVERLOCK</p>																																					
																																									
<table border="1"> <thead> <tr> <th>mm</th> <th>inch</th> <th>mm</th> <th>inch</th> <th>mm</th> <th>inch</th> </tr> </thead> <tbody> <tr> <td>25</td> <td>1</td> <td>8</td> <td>5/16</td> <td>6</td> <td>1/4</td> </tr> <tr> <td>30</td> <td>1</td> <td>10</td> <td>3/8</td> <td>8</td> <td>5/16</td> </tr> <tr> <td>35</td> <td>1-3/16</td> <td>12</td> <td>1/2</td> <td>10</td> <td>3/8</td> </tr> <tr> <td>38</td> <td>1-1/2</td> <td>14</td> <td>9/16</td> <td>12</td> <td>1/2</td> </tr> <tr> <td>42</td> <td>1-5/8</td> <td>16</td> <td>5/8</td> <td>14</td> <td>9/16</td> </tr> </tbody> </table>			mm	inch	mm	inch	mm	inch	25	1	8	5/16	6	1/4	30	1	10	3/8	8	5/16	35	1-3/16	12	1/2	10	3/8	38	1-1/2	14	9/16	12	1/2	42	1-5/8	16	5/8	14	9/16			
mm	inch	mm	inch	mm	inch																																				
25	1	8	5/16	6	1/4																																				
30	1	10	3/8	8	5/16																																				
35	1-3/16	12	1/2	10	3/8																																				
38	1-1/2	14	9/16	12	1/2																																				
42	1-5/8	16	5/8	14	9/16																																				
		<p>A RICHIESTA: GUIDE FUORI MISURA ON REQUEST: ALL THE OTHER SIZES</p>																																							

<p>GO 374 SET</p>	<p>LAY-ON FOLDER WITH FOOT</p>	<p>PIEGATORE PER BANDA ORNAMENTALE CON PIEDINO</p>	<p>GUIDE POUR BIAIS AVEC PIED-DE-BICHE</p>	<p>GUIA PARA TIRA ORNAMENTAL CON PRENSATELAS</p>											
															
<table border="1"> <thead> <tr> <th>mm</th> <th>inch</th> <th>mm</th> <th>inch</th> <th></th> </tr> </thead> <tbody> <tr> <td>20</td> <td>3/4</td> <td>5</td> <td>13/64</td> <td>M</td> </tr> </tbody> </table>			mm	inch	mm	inch		20	3/4	5	13/64	M			
mm	inch	mm	inch												
20	3/4	5	13/64	M											
		<p>A RICHIESTA: GUIDE FUORI MISURA ON REQUEST: ALL THE OTHER SIZES</p>													

GO 375	TAPE FOLDER	GUIDA PER BANDE	GUIDE POSE BANDES	GUIA PARA BANDAS																																																																																																																											
	 <p>GO 375</p>																																																																																																																														
		<table border="1"> <thead> <tr> <th>mm</th> <th>inch</th> <th>mm</th> <th>inch</th> <th></th> </tr> </thead> <tbody> <tr><td>12</td><td>1/2</td><td>6</td><td>1/4</td><td>L</td></tr> <tr><td>14</td><td>9/16</td><td>7</td><td>9/32</td><td>L</td></tr> <tr><td>16</td><td>5/8</td><td>8</td><td>5/16</td><td>L</td></tr> <tr><td>18</td><td>11/16</td><td>9</td><td>11/32</td><td>L and M</td></tr> <tr><td>20</td><td>3/4</td><td>10</td><td>3/8</td><td>L - M</td></tr> <tr><td>22</td><td>7/8</td><td>11</td><td>7/16</td><td>M</td></tr> <tr><td>24</td><td>15/16</td><td>12</td><td>15/32</td><td>L - M</td></tr> <tr><td>26</td><td>1-1/32</td><td>13</td><td>1/2</td><td>M</td></tr> <tr><td>28</td><td>1-1/8</td><td>14</td><td>9/16</td><td>M</td></tr> <tr><td>30</td><td>1-3/16</td><td>15</td><td>19/32</td><td>L and M</td></tr> <tr><td>32</td><td>1 - 1/4</td><td>16</td><td>5/8</td><td>M</td></tr> <tr><td>35</td><td>1-3/8</td><td>17</td><td>11/16</td><td>L and M</td></tr> <tr><td>38</td><td>1-1/2</td><td>19</td><td>3/4</td><td>M</td></tr> <tr><td>38</td><td>1-1/2</td><td>21</td><td>13/16</td><td>L</td></tr> <tr><td>40</td><td>1-9/16</td><td>22</td><td>7/8</td><td>M</td></tr> <tr><td>44</td><td>1-3/4</td><td>26</td><td>1-1/32</td><td>L and M</td></tr> <tr><td>47</td><td>1-27/32</td><td>29</td><td>1-5/32</td><td>M</td></tr> <tr><td>48</td><td>1-57/64</td><td>31</td><td>1-7/32</td><td>L</td></tr> <tr><td>50</td><td>2</td><td>32</td><td>1-1/4</td><td>M</td></tr> <tr><td>51</td><td>2</td><td>34</td><td>1-11/32</td><td>L</td></tr> <tr><td>54</td><td>2-1/8</td><td>36</td><td>1-7/16</td><td>L and M</td></tr> <tr><td>58</td><td>2-9/32</td><td>41</td><td>1-5/8</td><td>L</td></tr> <tr><td>60</td><td>2-3/8</td><td>42</td><td>1-21/32</td><td>M</td></tr> <tr><td>73</td><td>2-7/8</td><td>55</td><td>2-3/16</td><td>M</td></tr> </tbody> </table>	mm	inch	mm	inch		12	1/2	6	1/4	L	14	9/16	7	9/32	L	16	5/8	8	5/16	L	18	11/16	9	11/32	L and M	20	3/4	10	3/8	L - M	22	7/8	11	7/16	M	24	15/16	12	15/32	L - M	26	1-1/32	13	1/2	M	28	1-1/8	14	9/16	M	30	1-3/16	15	19/32	L and M	32	1 - 1/4	16	5/8	M	35	1-3/8	17	11/16	L and M	38	1-1/2	19	3/4	M	38	1-1/2	21	13/16	L	40	1-9/16	22	7/8	M	44	1-3/4	26	1-1/32	L and M	47	1-27/32	29	1-5/32	M	48	1-57/64	31	1-7/32	L	50	2	32	1-1/4	M	51	2	34	1-11/32	L	54	2-1/8	36	1-7/16	L and M	58	2-9/32	41	1-5/8	L	60	2-3/8	42	1-21/32	M	73	2-7/8	55	2-3/16	M
mm	inch	mm	inch																																																																																																																												
12	1/2	6	1/4	L																																																																																																																											
14	9/16	7	9/32	L																																																																																																																											
16	5/8	8	5/16	L																																																																																																																											
18	11/16	9	11/32	L and M																																																																																																																											
20	3/4	10	3/8	L - M																																																																																																																											
22	7/8	11	7/16	M																																																																																																																											
24	15/16	12	15/32	L - M																																																																																																																											
26	1-1/32	13	1/2	M																																																																																																																											
28	1-1/8	14	9/16	M																																																																																																																											
30	1-3/16	15	19/32	L and M																																																																																																																											
32	1 - 1/4	16	5/8	M																																																																																																																											
35	1-3/8	17	11/16	L and M																																																																																																																											
38	1-1/2	19	3/4	M																																																																																																																											
38	1-1/2	21	13/16	L																																																																																																																											
40	1-9/16	22	7/8	M																																																																																																																											
44	1-3/4	26	1-1/32	L and M																																																																																																																											
47	1-27/32	29	1-5/32	M																																																																																																																											
48	1-57/64	31	1-7/32	L																																																																																																																											
50	2	32	1-1/4	M																																																																																																																											
51	2	34	1-11/32	L																																																																																																																											
54	2-1/8	36	1-7/16	L and M																																																																																																																											
58	2-9/32	41	1-5/8	L																																																																																																																											
60	2-3/8	42	1-21/32	M																																																																																																																											
73	2-7/8	55	2-3/16	M																																																																																																																											
		<p>A RICHIESTA: GUIDE FUORI MISURA ON REQUEST: ALL THE OTHER SIZES</p>																																																																																																																													

GO 376 SET	ATTACHMENTS FOR THE FRONT OF BATH-WRAPPS	GUIDE PER PARAMONTURA ACCAPPATOIO	GUIDE POUR PAREMENTURES DE PEIGNOIRS DE BAIN	GUIA PARA EL ACABADO DE ALBORNOCES																											
 <p>• = GO 376 SET</p>	 <p>• GO 376 • GO 377</p>																														
		<table border="1"> <thead> <tr> <th>mm</th> <th>inch</th> <th>mm</th> <th>inch</th> <th>mm</th> <th>inch</th> <th></th> </tr> </thead> <tbody> <tr><td>40</td><td>1-9/16</td><td>20</td><td>3/4</td><td>15</td><td>19/32</td><td>XH</td></tr> <tr><td>55</td><td>2-3/16</td><td>30</td><td>1-3/16</td><td>15</td><td>19/32</td><td>XH</td></tr> <tr><td>70</td><td>2-3/4</td><td>45</td><td>1-3/4</td><td>15</td><td>19/32</td><td>XH</td></tr> </tbody> </table>	mm	inch	mm	inch	mm	inch		40	1-9/16	20	3/4	15	19/32	XH	55	2-3/16	30	1-3/16	15	19/32	XH	70	2-3/4	45	1-3/4	15	19/32	XH	
mm	inch	mm	inch	mm	inch																										
40	1-9/16	20	3/4	15	19/32	XH																									
55	2-3/16	30	1-3/16	15	19/32	XH																									
70	2-3/4	45	1-3/4	15	19/32	XH																									
		<p>A RICHIESTA: GUIDE FUORI MISURA ON REQUEST: ALL THE OTHER SIZES</p>																													

GO 378 SET	TAPE AND SPLIT-TUBE FOLDERS FOR BINDING	GUIDA PER BANDE E COLLARETTO	GUIDE COLLERETTE ET POSE-BANDES	GUIA PARA BANDA Y COLLARIN
-------------------	---	------------------------------	---------------------------------	----------------------------

• = GO 378 SET

GO 375				GO 400			
mm	inch	mm	inch	mm	inch	mm	inch
12	1/2	6	1/4	15	19/32	7,5	5/16
14	9/16	7	9/32	20	3/4	10	3/8
18	11/16	9	11/32	25,5	1	12,5	1/2
20	3/4	10	3/8	32	1-1/4	16	5/8
22	7/8	11	7/16	38	1-1/2	19	3/4
				44,5	1-3/4	22	7/8
				51	2	25,5	1
				63	2-1/2	32	1-1/4
				70	2-3/4	35	1-3/8

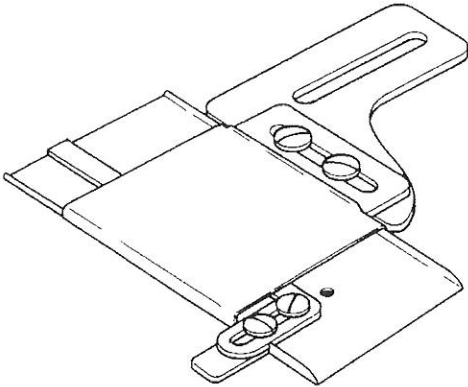
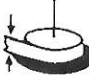

**A RICHIESTA:
GUIDE FUORI MISURA
ON REQUEST:
ALL THE OTHER SIZES**

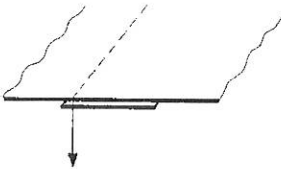
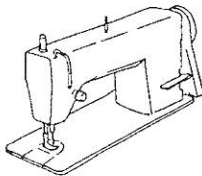
GO 379	ADJUSTABLE ATTACHMENT TO APPLY STRIPS	GUIDA REGOLABILE PER STRISCE CIMOSATE	GUIDE REGLABLE POSE BANDES	GUIA REGULABLE PARA TIRAS ACABADAS
---------------	---------------------------------------	---------------------------------------	----------------------------	------------------------------------

Adjustable from 0 to	
32 mm	M and H
42 mm	M and H
1-1/4	M and H
1-21/32	M and H

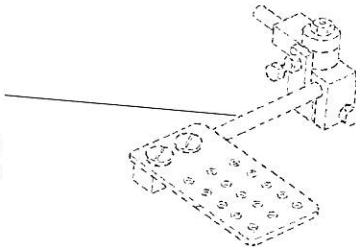
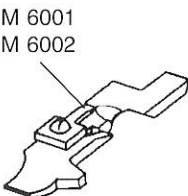
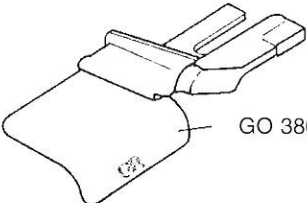


**A RICHIESTA:
GUIDE FUORI MISURA
ON REQUEST:
ALL THE OTHER SIZES**

<p>GO 379/1</p>	<p>ADJUSTABLE ATTACHMENT TO APPLY STRIPS</p>	<p>GUIDA REGOLABILE PER STRISCE CIMOSATE</p>	<p>GUIDE REGLABLE POSE BANDES</p>	<p>GUIA REGULABLE PARA TIRAS ACABADAS</p>
------------------------	--	--	-----------------------------------	---

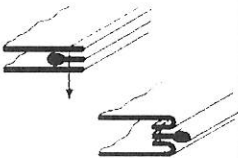

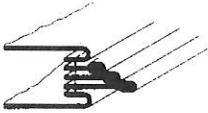
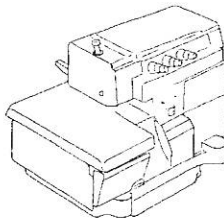
				
	<p>Adjustable from 0 to 42 mm Adjustable from 0 to 1-21/32 inches</p>	<p>M and H M and H</p>		

		<p>A RICHIESTA: GUIDE FUORI MISURA ON REQUEST: ALL THE OTHER SIZES</p>
--	--	---

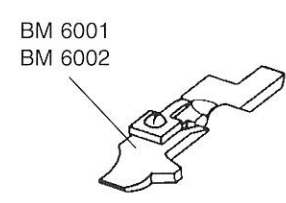
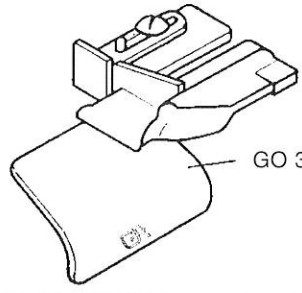
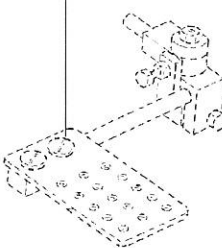


<p>GO 380</p>	<p>READY-MADE PIPING ATTACHMENT FOR OVERLOCK</p>	<p>GUIDA PER PROFILO PREFABBRICATO SU TAGLIACUCE</p>	<p>GUIDE POUR PASSEPOIL PREFABRIQUE POUR SURJETEUSES</p>	<p>GUIA PARA VIVO PREFABRICADO EN OVERLOCK</p>
----------------------	--	--	--	--

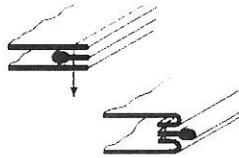

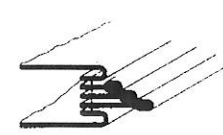
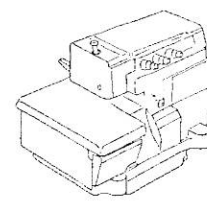
<p>GO 432 - Rimoldi GO 433 - Union Special GO 439 - Brother GO 440 - Yamato GO 443 - Juki GO 446 - Willcox & Gibbs GO 447 - Willcox & Gibbs</p>  <p>BM 6001 BM 6002</p>  <p>GO 380/1</p> 				
	<p>GO 380/1 8 mm 5/16 inch GO 380/2 10 mm 3/8 inch GO 380/3 12 mm 1/2 inch GO 380/3 15 mm 19/32 inch</p>	<p>BM 6001 BM 6001</p>		

<p>A RICHIESTA: GUIDE FUORI MISURA ON REQUEST: ALL THE OTHER SIZES</p>

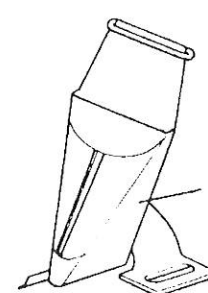
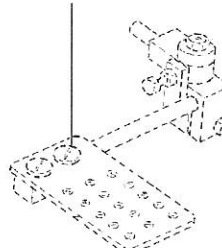
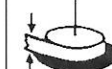

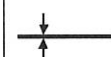
	<p>GO 380/2</p> 	<p>GO 380/3</p> 	
---	---	---	--

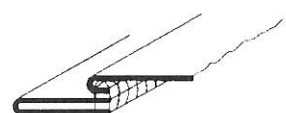
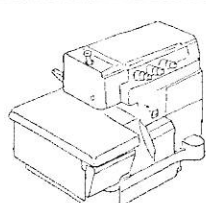
GO 381	ADJUSTABLE READY-MADE PIPING ATTACHMENT FOR OVERLOCK	GUIDA PER PROFILO PREFABBRICATO SU TAGLIACUCE	GUIDE REGLABLE POUR PASSEPOIL PREFABRIQUE POUR SURJETEUSES	GUIA REGULABLE PARA VIVO PREFABRICADO EN OVERLOCK
---------------	---	--	---	--

 <p>BM 6001 BM 6002</p>	<p>GO 432 - Rimoldi GO 433 - Union Special GO 439 - Brother GO 440 - Yamato GO 443 - Juki GO 446 - Willcox & Gibbs GO 447 - Willcox & Gibbs</p>  <p>GO 381</p>																											
			<table border="1"> <tr> <td>GO 381/1</td> <td>mm</td> <td>inch</td> <td></td> <td></td> <td></td> </tr> <tr> <td>GO 381/2</td> <td>10</td> <td>3/8</td> <td></td> <td>BM 6001</td> <td></td> </tr> <tr> <td>GO 381/3</td> <td>12</td> <td>1/2</td> <td></td> <td></td> <td></td> </tr> <tr> <td></td> <td>15</td> <td>19/32</td> <td></td> <td></td> <td></td> </tr> </table>	GO 381/1	mm	inch				GO 381/2	10	3/8		BM 6001		GO 381/3	12	1/2					15	19/32				
GO 381/1	mm	inch																										
GO 381/2	10	3/8		BM 6001																								
GO 381/3	12	1/2																										
	15	19/32																										
<p>A RICHIESTA: GUIDE FUORI MISURA ON REQUEST: ALL THE OTHER SIZES</p>																												

	<p>GO 381/2</p> 	<p>GO 381/3</p> 		
--	--	--	--	--

GO 385	OVERLOCK FOLDER	PIEGATORE PER TAGLIACUCE	PLIEUR POUR SURJETEUSE	RIBETADOR PARA OVERLOCK
---------------	-----------------	-----------------------------	---------------------------	----------------------------

 <p>GO 385</p>	<p>GO 432 - Rimoldi GO 433 - Union Special GO 439 - Brother GO 440 - Yamato GO 443 - Juki GO 446 - Willcox & Gibbs GO 447 - Willcox & Gibbs</p> 																																																																					
		<table border="1"> <tr> <td>mm</td> <td>inch</td> <td>mm</td> <td>inch</td> <td></td> <td></td> </tr> <tr> <td>40</td> <td>1-9/16</td> <td>20</td> <td>3/4</td> <td>Me H</td> <td></td> </tr> <tr> <td>45</td> <td>1-3/4</td> <td>22</td> <td>7/8</td> <td>Me H</td> <td></td> </tr> <tr> <td>50</td> <td>2</td> <td>25</td> <td>1</td> <td>Me H</td> <td></td> </tr> <tr> <td>56</td> <td>2-3/16</td> <td>28</td> <td>1-1/8</td> <td>Me H</td> <td></td> </tr> <tr> <td>64</td> <td>2-1/2</td> <td>32</td> <td>1-1/4</td> <td>Me H</td> <td></td> </tr> <tr> <td>80</td> <td>3-3/16</td> <td>40</td> <td>1-9/16</td> <td>Me H</td> <td></td> </tr> <tr> <td>90</td> <td>3-9/16</td> <td>45</td> <td>1-3/4</td> <td>Me H</td> <td></td> </tr> <tr> <td>110</td> <td>4-5/16</td> <td>55</td> <td>2-3/16</td> <td>Me H</td> <td></td> </tr> <tr> <td>120</td> <td>4-3/4</td> <td>60</td> <td>2-3/8</td> <td>Me H</td> <td></td> </tr> <tr> <td>140</td> <td>5-1/2</td> <td>70</td> <td>2-3/4</td> <td>Me H</td> <td></td> </tr> </table>	mm	inch	mm	inch			40	1-9/16	20	3/4	Me H		45	1-3/4	22	7/8	Me H		50	2	25	1	Me H		56	2-3/16	28	1-1/8	Me H		64	2-1/2	32	1-1/4	Me H		80	3-3/16	40	1-9/16	Me H		90	3-9/16	45	1-3/4	Me H		110	4-5/16	55	2-3/16	Me H		120	4-3/4	60	2-3/8	Me H		140	5-1/2	70	2-3/4	Me H			
mm	inch	mm	inch																																																																			
40	1-9/16	20	3/4	Me H																																																																		
45	1-3/4	22	7/8	Me H																																																																		
50	2	25	1	Me H																																																																		
56	2-3/16	28	1-1/8	Me H																																																																		
64	2-1/2	32	1-1/4	Me H																																																																		
80	3-3/16	40	1-9/16	Me H																																																																		
90	3-9/16	45	1-3/4	Me H																																																																		
110	4-5/16	55	2-3/16	Me H																																																																		
120	4-3/4	60	2-3/8	Me H																																																																		
140	5-1/2	70	2-3/4	Me H																																																																		

		<p>A RICHIESTA: GUIDE FUORI MISURA ON REQUEST: ALL THE OTHER SIZES</p>		
---	---	---	--	--

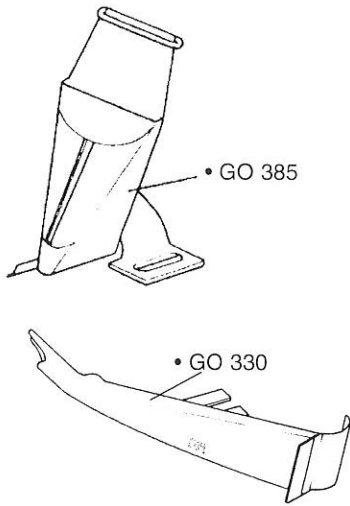
GO 386 SET

OVERLOCK PIPING
FOLDER

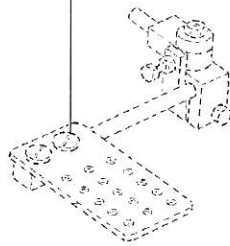
PIEGATORE
CON PROFILO
PER TAGLIACUCE

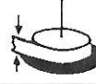
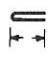
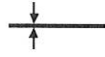
PLIEUR AVEC
PASSEPOIL
POUR SURJETEUSE

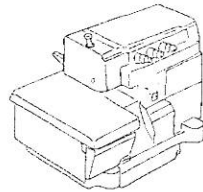
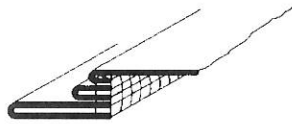
RIBETeadOR
CON VIVO
PARA OVERLOCK



GO 432 - Rimoldi
GO 433 - Union Special
GO 439 - Brother
GO 440 - Yamato
GO 443 - Juki
GO 446 - Willcox & Gibbs
GO 447 - Willcox & Gibbs



					
	mm	inch	mm	inch	
GO 330	19	3/4	9	11/32	M
	25	1	12	1/2	M
	30	1-3/16	15	19/32	M
GO 385	20	3/4	10	3/8	H
	22	7/8	11	7/16	H
	30	1-3/16	15	19/32	H
	56	2-7/32	28	1-1/8	M
	64	2-1/2	32	1-1/4	M
	90	3-9/16	45	1-3/4	M
	120	4-3/4	60	2-3/8	M
	140	5-1/2	70	2-3/4	M
	56	2-7/32	28	1-1/8	H
140	5-1/2	70	2-3/4	H	



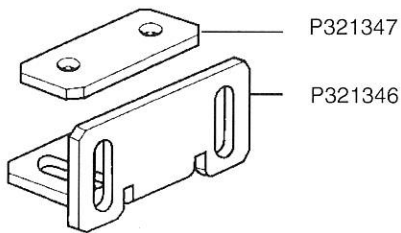
**A RICHIESTA:
GUIDE FUORI MISURA
ON REQUEST:
ALL THE OTHER SIZES**

SPLIT-TUBE FOLDER
SUPPORTS

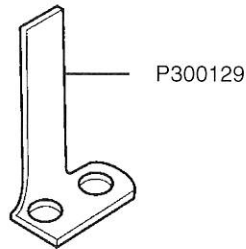
SUPPORTI PER
GUIDE COLLARETTO

FIXATIONS
POUR GUIDE
COLLERETTE

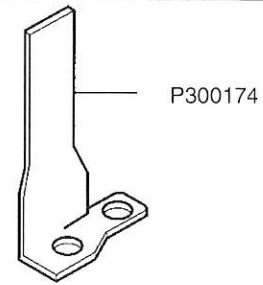
SOPORTES PARA
GUIAS DE
COLLARIN



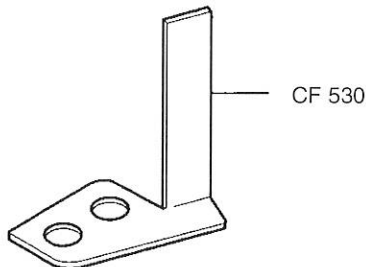
FOR RIMOLDI F 63



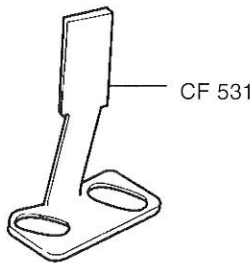
CUT SIZE UP to 99 mm
RIMOLDI 263



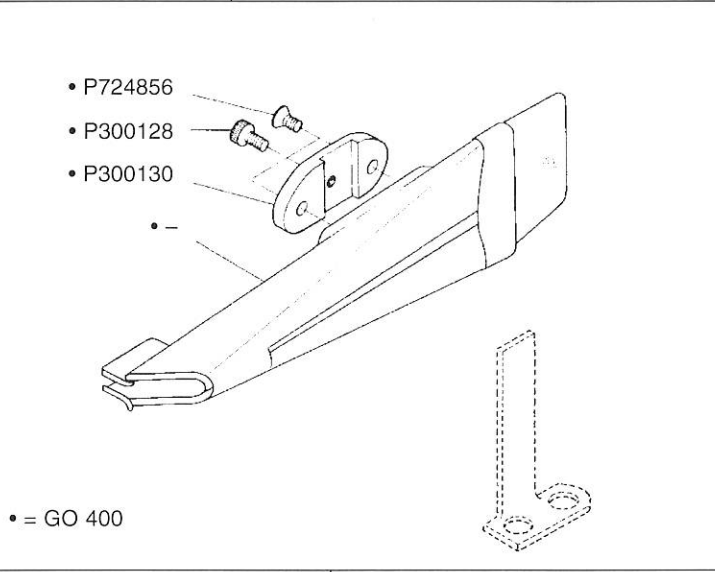
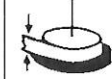
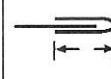
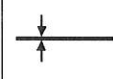
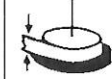
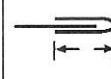
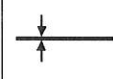
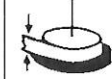
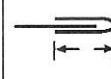
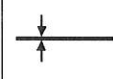
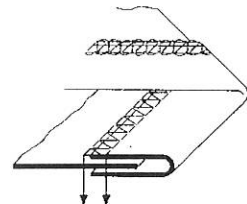
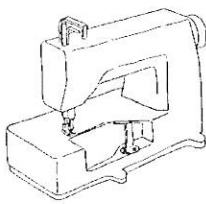
CUT SIZE OVER 100 mm
RIMOLDI 263

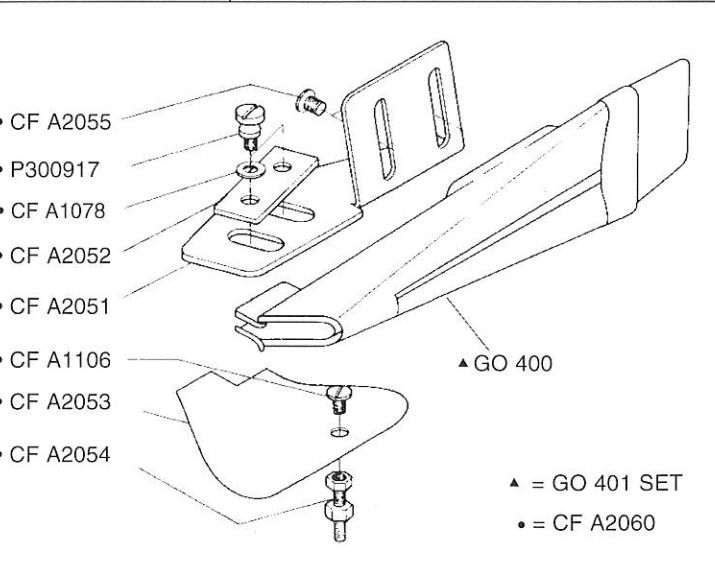
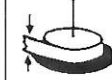

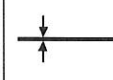
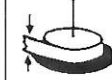

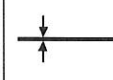
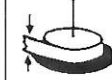

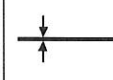
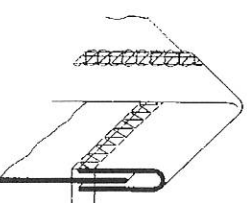
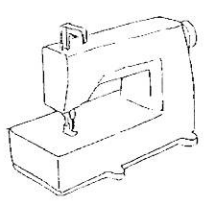


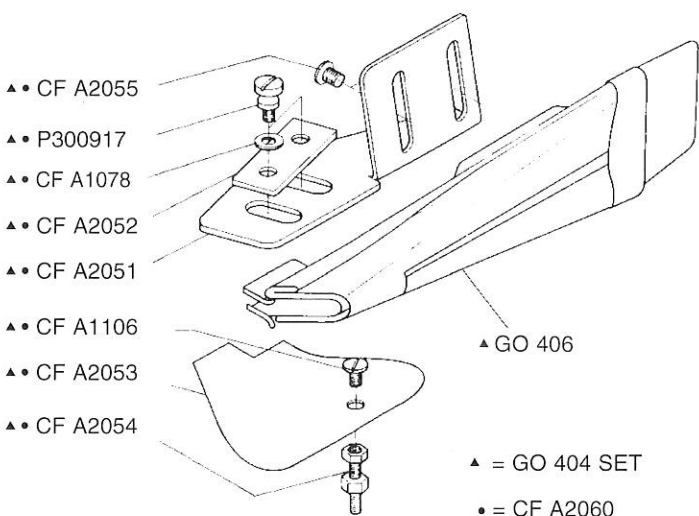
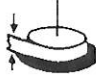
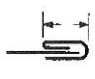
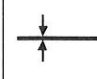
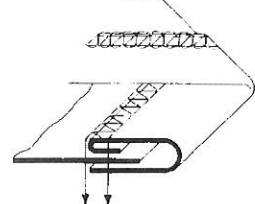
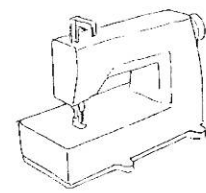
FOR UNION SPECIAL
622,623, KANSAI 8800

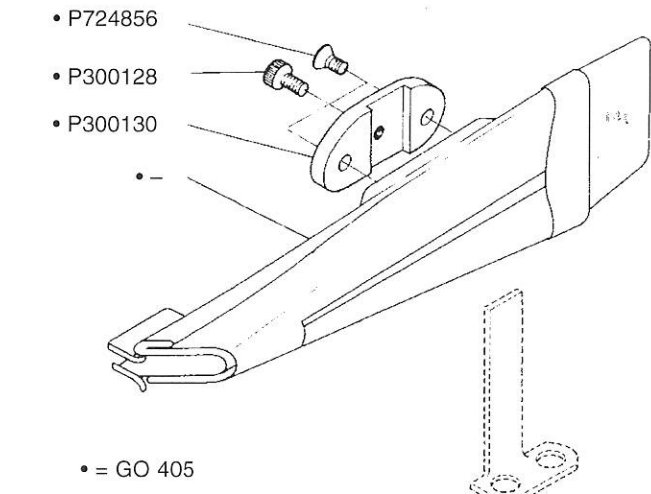
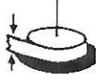
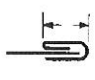

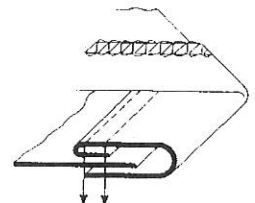
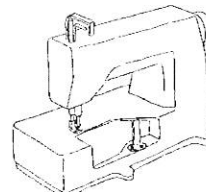


FOR KANSAI 8100, YAMATO BROTHER,
MAUSER, PEGASUS MACHINES

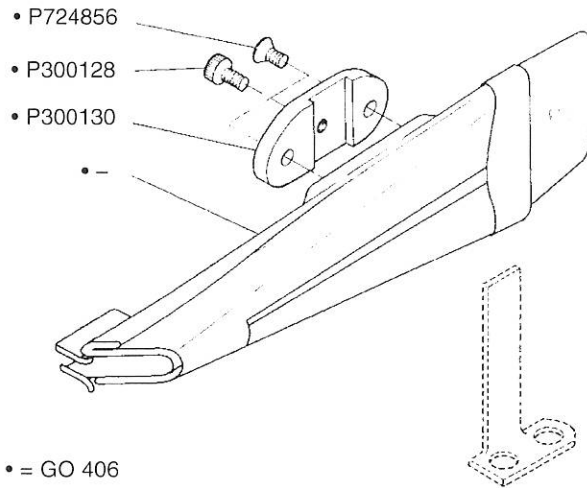
GO 400	SPLIT-TUBE FOLDER	GUIDA PER COLLARETTI	GUIDE COLLERETTE	GUIDA PARA COLLARINES																																																																																																																																																		
 <ul style="list-style-type: none"> • P724856 • P300128 • P300130 <p>• = GO 400</p>	<table border="1"> <thead> <tr> <th></th> <th colspan="2"></th> <th colspan="2"></th> <th colspan="2"></th> </tr> <tr> <th></th> <th>mm</th> <th>inch</th> <th>mm</th> <th>inch</th> <th>mm</th> <th>inch</th> </tr> </thead> <tbody> <tr><td>094-A</td><td>15</td><td>19/32</td><td>7,5</td><td>19,64</td><td>1</td><td>3/64</td></tr> <tr><td>094-0</td><td>20</td><td>3/4</td><td>10</td><td>3/8</td><td>1,4</td><td>1/16</td></tr> <tr><td>094-1</td><td>25,5</td><td>1</td><td>12,5</td><td>1/2</td><td>1,5</td><td>1/16</td></tr> <tr><td>094-2</td><td>25,5</td><td>1</td><td>12,5</td><td>1/2</td><td>2</td><td>5/64</td></tr> <tr><td>094-3</td><td>32</td><td>1-1/4</td><td>16</td><td>5/8</td><td>1,5</td><td>1/16</td></tr> <tr><td>094-4</td><td>32</td><td>1-1/4</td><td>16</td><td>5/8</td><td>2</td><td>5/64</td></tr> <tr><td>094-5</td><td>38</td><td>1-1/2</td><td>19</td><td>3/4</td><td>2</td><td>5/64</td></tr> <tr><td>094-6</td><td>38</td><td>1-1/2</td><td>19</td><td>3/4</td><td>2,7</td><td>7/64</td></tr> <tr><td>094-7</td><td>44,5</td><td>1-3/4</td><td>22</td><td>7/8</td><td>2</td><td>5/64</td></tr> <tr><td>094-8</td><td>44,5</td><td>1-3/4</td><td>22</td><td>7/8</td><td>3</td><td>1/8</td></tr> <tr><td>094-9</td><td>51</td><td>2</td><td>25,5</td><td>1</td><td>2</td><td>5/64</td></tr> <tr><td>094-10</td><td>51</td><td>2</td><td>25,5</td><td>1</td><td>3,2</td><td>1/8</td></tr> <tr><td>094-11</td><td>63,5</td><td>2-1/2</td><td>32</td><td>1-1/4</td><td>2</td><td>5/64</td></tr> <tr><td>094-12</td><td>63,5</td><td>2-1/2</td><td>32</td><td>1-1/4</td><td>3,5</td><td>9/64</td></tr> <tr><td>094-12A</td><td>70</td><td>2-3/4</td><td>35</td><td>1-3/8</td><td>2</td><td>5/64</td></tr> <tr><td>094-15</td><td>80</td><td>3-1/8</td><td>39</td><td>1-9/16</td><td>2,5</td><td>3/32</td></tr> <tr><td>094-13</td><td>100</td><td>3-15/16</td><td>50</td><td>2</td><td>2,5</td><td>3/32</td></tr> <tr><td>094-14</td><td>120</td><td>4-3/4</td><td>60</td><td>2-3/8</td><td>2,5</td><td>3/32</td></tr> <tr><td>094-16</td><td>130</td><td>5-1/8</td><td>65</td><td>2-9/16</td><td>2,5</td><td>3/32</td></tr> </tbody> </table>											mm	inch	mm	inch	mm	inch	094-A	15	19/32	7,5	19,64	1	3/64	094-0	20	3/4	10	3/8	1,4	1/16	094-1	25,5	1	12,5	1/2	1,5	1/16	094-2	25,5	1	12,5	1/2	2	5/64	094-3	32	1-1/4	16	5/8	1,5	1/16	094-4	32	1-1/4	16	5/8	2	5/64	094-5	38	1-1/2	19	3/4	2	5/64	094-6	38	1-1/2	19	3/4	2,7	7/64	094-7	44,5	1-3/4	22	7/8	2	5/64	094-8	44,5	1-3/4	22	7/8	3	1/8	094-9	51	2	25,5	1	2	5/64	094-10	51	2	25,5	1	3,2	1/8	094-11	63,5	2-1/2	32	1-1/4	2	5/64	094-12	63,5	2-1/2	32	1-1/4	3,5	9/64	094-12A	70	2-3/4	35	1-3/8	2	5/64	094-15	80	3-1/8	39	1-9/16	2,5	3/32	094-13	100	3-15/16	50	2	2,5	3/32	094-14	120	4-3/4	60	2-3/8	2,5	3/32	094-16	130	5-1/8	65	2-9/16	2,5	3/32
																																																																																																																																																						
	mm	inch	mm	inch	mm	inch																																																																																																																																																
094-A	15	19/32	7,5	19,64	1	3/64																																																																																																																																																
094-0	20	3/4	10	3/8	1,4	1/16																																																																																																																																																
094-1	25,5	1	12,5	1/2	1,5	1/16																																																																																																																																																
094-2	25,5	1	12,5	1/2	2	5/64																																																																																																																																																
094-3	32	1-1/4	16	5/8	1,5	1/16																																																																																																																																																
094-4	32	1-1/4	16	5/8	2	5/64																																																																																																																																																
094-5	38	1-1/2	19	3/4	2	5/64																																																																																																																																																
094-6	38	1-1/2	19	3/4	2,7	7/64																																																																																																																																																
094-7	44,5	1-3/4	22	7/8	2	5/64																																																																																																																																																
094-8	44,5	1-3/4	22	7/8	3	1/8																																																																																																																																																
094-9	51	2	25,5	1	2	5/64																																																																																																																																																
094-10	51	2	25,5	1	3,2	1/8																																																																																																																																																
094-11	63,5	2-1/2	32	1-1/4	2	5/64																																																																																																																																																
094-12	63,5	2-1/2	32	1-1/4	3,5	9/64																																																																																																																																																
094-12A	70	2-3/4	35	1-3/8	2	5/64																																																																																																																																																
094-15	80	3-1/8	39	1-9/16	2,5	3/32																																																																																																																																																
094-13	100	3-15/16	50	2	2,5	3/32																																																																																																																																																
094-14	120	4-3/4	60	2-3/8	2,5	3/32																																																																																																																																																
094-16	130	5-1/8	65	2-9/16	2,5	3/32																																																																																																																																																
		<p>A RICHIESTA: GUIDE FUORI MISURA ON REQUEST: ALL THE OTHER SIZES</p>																																																																																																																																																				

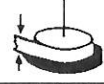
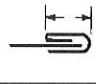
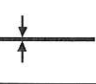
GO 401 SET	SPLIT-TUBE FOLDER TO FIT FLAT BED MACHINES	GUIDA PER COLLARETTI PER MACCHINA PIANA	GUIDE COLLERETTE POUR PIQUEUSES	GUIDA PARA COLLARINES PARA MAQUINAS PLANAS																																																																																																															
 <ul style="list-style-type: none"> ▲• CF A2055 ▲• P300917 ▲• CF A1078 ▲• CF A2052 ▲• CF A2051 ▲• CF A1106 ▲• CF A2053 ▲• CF A2054 <p>▲ GO 400</p> <p>▲ = GO 401 SET • = CF A2060</p>	<table border="1"> <thead> <tr> <th></th> <th colspan="2"></th> <th colspan="2"></th> <th colspan="2"></th> </tr> <tr> <th></th> <th>mm</th> <th>inch</th> <th>mm</th> <th>inch</th> <th>mm</th> <th>inch</th> </tr> </thead> <tbody> <tr><td>094-A</td><td>15</td><td>19/32</td><td>7,5</td><td>19,64</td><td>1</td><td>3/64</td></tr> <tr><td>094-0</td><td>20</td><td>3/4</td><td>10</td><td>3/8</td><td>1,4</td><td>1/16</td></tr> <tr><td>094-1</td><td>25,5</td><td>1</td><td>12,5</td><td>1/2</td><td>1,5</td><td>1/16</td></tr> <tr><td>094-2</td><td>25,5</td><td>1</td><td>12,5</td><td>1/2</td><td>2</td><td>5/64</td></tr> <tr><td>094-3</td><td>32</td><td>1-1/4</td><td>16</td><td>5/8</td><td>1,5</td><td>1/16</td></tr> <tr><td>094-4</td><td>32</td><td>1-1/4</td><td>16</td><td>5/8</td><td>2</td><td>5/64</td></tr> <tr><td>094-5</td><td>38</td><td>1-1/2</td><td>19</td><td>3/4</td><td>2</td><td>5/64</td></tr> <tr><td>094-6</td><td>38</td><td>1-1/2</td><td>19</td><td>3/4</td><td>2,7</td><td>7/64</td></tr> <tr><td>094-7</td><td>44,5</td><td>1-3/4</td><td>22</td><td>7/8</td><td>2</td><td>5/64</td></tr> <tr><td>094-8</td><td>44,5</td><td>1-3/4</td><td>22</td><td>7/8</td><td>3</td><td>1/8</td></tr> <tr><td>094-9</td><td>51</td><td>2</td><td>25,5</td><td>1</td><td>2</td><td>5/64</td></tr> <tr><td>094-10</td><td>51</td><td>2</td><td>25,5</td><td>1</td><td>3,2</td><td>1/8</td></tr> <tr><td>094-11</td><td>63,5</td><td>2-1/2</td><td>32</td><td>1-1/4</td><td>2</td><td>5/64</td></tr> <tr><td>094-12</td><td>63,5</td><td>2-1/2</td><td>32</td><td>1-1/4</td><td>3,5</td><td>9/64</td></tr> </tbody> </table>											mm	inch	mm	inch	mm	inch	094-A	15	19/32	7,5	19,64	1	3/64	094-0	20	3/4	10	3/8	1,4	1/16	094-1	25,5	1	12,5	1/2	1,5	1/16	094-2	25,5	1	12,5	1/2	2	5/64	094-3	32	1-1/4	16	5/8	1,5	1/16	094-4	32	1-1/4	16	5/8	2	5/64	094-5	38	1-1/2	19	3/4	2	5/64	094-6	38	1-1/2	19	3/4	2,7	7/64	094-7	44,5	1-3/4	22	7/8	2	5/64	094-8	44,5	1-3/4	22	7/8	3	1/8	094-9	51	2	25,5	1	2	5/64	094-10	51	2	25,5	1	3,2	1/8	094-11	63,5	2-1/2	32	1-1/4	2	5/64	094-12	63,5	2-1/2	32	1-1/4	3,5	9/64
																																																																																																																			
	mm	inch	mm	inch	mm	inch																																																																																																													
094-A	15	19/32	7,5	19,64	1	3/64																																																																																																													
094-0	20	3/4	10	3/8	1,4	1/16																																																																																																													
094-1	25,5	1	12,5	1/2	1,5	1/16																																																																																																													
094-2	25,5	1	12,5	1/2	2	5/64																																																																																																													
094-3	32	1-1/4	16	5/8	1,5	1/16																																																																																																													
094-4	32	1-1/4	16	5/8	2	5/64																																																																																																													
094-5	38	1-1/2	19	3/4	2	5/64																																																																																																													
094-6	38	1-1/2	19	3/4	2,7	7/64																																																																																																													
094-7	44,5	1-3/4	22	7/8	2	5/64																																																																																																													
094-8	44,5	1-3/4	22	7/8	3	1/8																																																																																																													
094-9	51	2	25,5	1	2	5/64																																																																																																													
094-10	51	2	25,5	1	3,2	1/8																																																																																																													
094-11	63,5	2-1/2	32	1-1/4	2	5/64																																																																																																													
094-12	63,5	2-1/2	32	1-1/4	3,5	9/64																																																																																																													
		<p>A RICHIESTA: GUIDE FUORI MISURA ON REQUEST: ALL THE OTHER SIZES</p>																																																																																																																	

GO 404 SET	SPLIT-TUBE FOLDER TO FIT FLAT BED MACHINES	GUIDA PER COLLARETTI PER MACCHINA PIANA	GUIDE COLLERETTE POUR PIQUEUSES	GUIA PARA COLLARINES PARA MAQUINAS PLANAS																																																																												
 <ul style="list-style-type: none"> ▲• CF A2055 ▲• P300917 ▲• CF A1078 ▲• CF A2052 ▲• CF A2051 ▲• CF A1106 ▲• CF A2053 ▲• CF A2054 <p>▲ GO 406</p> <p>▲ = GO 404 SET</p> <p>• = CF A2060</p>		 <table border="1"> <thead> <tr> <th></th> <th>mm</th> <th>inch</th> <th>mm</th> <th>inch</th> <th>mm</th> <th>inch</th> </tr> </thead> <tbody> <tr><td>095B-1</td><td>33</td><td>1-5/16</td><td>12,5</td><td>1/2</td><td>1,7</td><td>1/16</td></tr> <tr><td>095B-2</td><td>33</td><td>1-5/16</td><td>12,5</td><td>1/2</td><td>2,7</td><td>7/64</td></tr> <tr><td>095B-3</td><td>40</td><td>1-9/16</td><td>16</td><td>5/8</td><td>1,7</td><td>1/16</td></tr> <tr><td>095B-4</td><td>40</td><td>1-9/16</td><td>16</td><td>5/8</td><td>2,7</td><td>7/64</td></tr> <tr><td>095B-5</td><td>47</td><td>1-7/8</td><td>19</td><td>3/4</td><td>2</td><td>5/64</td></tr> <tr><td>095B-6</td><td>47</td><td>1-7/8</td><td>19</td><td>3/4</td><td>3</td><td>1/8</td></tr> <tr><td>095B-7</td><td>53</td><td>2-3/32</td><td>22</td><td>7/8</td><td>2</td><td>5/64</td></tr> <tr><td>095B-8</td><td>53</td><td>2-3/32</td><td>22</td><td>7/8</td><td>3</td><td>1/8</td></tr> <tr><td>095B-9</td><td>59</td><td>2-5/16</td><td>25</td><td>1</td><td>2</td><td>5/64</td></tr> <tr><td>095B-10</td><td>59</td><td>2-5/16</td><td>25</td><td>1</td><td>3,2</td><td>1/8</td></tr> </tbody> </table>		mm	inch	mm	inch	mm	inch	095B-1	33	1-5/16	12,5	1/2	1,7	1/16	095B-2	33	1-5/16	12,5	1/2	2,7	7/64	095B-3	40	1-9/16	16	5/8	1,7	1/16	095B-4	40	1-9/16	16	5/8	2,7	7/64	095B-5	47	1-7/8	19	3/4	2	5/64	095B-6	47	1-7/8	19	3/4	3	1/8	095B-7	53	2-3/32	22	7/8	2	5/64	095B-8	53	2-3/32	22	7/8	3	1/8	095B-9	59	2-5/16	25	1	2	5/64	095B-10	59	2-5/16	25	1	3,2	1/8	 
	mm	inch	mm	inch	mm	inch																																																																										
095B-1	33	1-5/16	12,5	1/2	1,7	1/16																																																																										
095B-2	33	1-5/16	12,5	1/2	2,7	7/64																																																																										
095B-3	40	1-9/16	16	5/8	1,7	1/16																																																																										
095B-4	40	1-9/16	16	5/8	2,7	7/64																																																																										
095B-5	47	1-7/8	19	3/4	2	5/64																																																																										
095B-6	47	1-7/8	19	3/4	3	1/8																																																																										
095B-7	53	2-3/32	22	7/8	2	5/64																																																																										
095B-8	53	2-3/32	22	7/8	3	1/8																																																																										
095B-9	59	2-5/16	25	1	2	5/64																																																																										
095B-10	59	2-5/16	25	1	3,2	1/8																																																																										
		<p>A RICHIESTA: GUIDE FUORI MISURA ON REQUEST: ALL THE OTHER SIZES</p>																																																																														

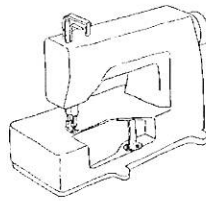
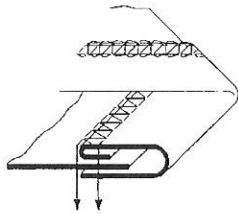
GO 405	SPLIT-TUBE FOLDER	GUIDA PER COLLARETTI	GUIDE COLLERETTE	GUIA PARA COLLARINES																																																																																																																																											
 <ul style="list-style-type: none"> • P724856 • P300128 • P300130 <p>• = GO 405</p>		 <table border="1"> <thead> <tr> <th></th> <th>mm</th> <th>inch</th> <th>mm</th> <th>inch</th> <th>mm</th> <th>inch</th> </tr> </thead> <tbody> <tr><td>095-A</td><td>22</td><td>7/8</td><td>8</td><td>5/16</td><td>1,5</td><td>1/16</td></tr> <tr><td>095-0</td><td>27</td><td>1-1/16</td><td>10</td><td>3/8</td><td>1,3</td><td>3/64</td></tr> <tr><td>095-1</td><td>32</td><td>1-1/4</td><td>12</td><td>1/2</td><td>1,7</td><td>1/16</td></tr> <tr><td>095-2</td><td>32</td><td>1-1/4</td><td>12</td><td>1/2</td><td>2,7</td><td>7/64</td></tr> <tr><td>095-3</td><td>38</td><td>1-1/2</td><td>16</td><td>5/8</td><td>1,7</td><td>1/16</td></tr> <tr><td>095-4</td><td>38</td><td>1-1/2</td><td>16</td><td>5/8</td><td>2,7</td><td>7/64</td></tr> <tr><td>095-5</td><td>45</td><td>1-3/4</td><td>19</td><td>3/4</td><td>2</td><td>5/64</td></tr> <tr><td>095-6</td><td>45</td><td>1-3/4</td><td>19</td><td>3/4</td><td>3</td><td>1/8</td></tr> <tr><td>095-7</td><td>51</td><td>2</td><td>21</td><td>13/16</td><td>2</td><td>5/64</td></tr> <tr><td>095-8</td><td>51</td><td>2</td><td>21</td><td>13/16</td><td>3</td><td>1/8</td></tr> <tr><td>095-9</td><td>57</td><td>2-1/4</td><td>25</td><td>1</td><td>2</td><td>5/64</td></tr> <tr><td>095-10</td><td>57</td><td>2-1/4</td><td>25</td><td>1</td><td>3,2</td><td>1/8</td></tr> <tr><td>095-11</td><td>72</td><td>2-13/16</td><td>32</td><td>1-1/4</td><td>2</td><td>5/64</td></tr> <tr><td>095-12</td><td>70</td><td>2-3/4</td><td>32</td><td>1-1/4</td><td>3,5</td><td>9/64</td></tr> <tr><td>095-13</td><td>80</td><td>3-1/8</td><td>37</td><td>1-7/16</td><td>2</td><td>5/64</td></tr> <tr><td>095-14</td><td>80</td><td>3-1/8</td><td>37</td><td>1-7/16</td><td>3,7</td><td>9/64</td></tr> <tr><td>095-15</td><td>100</td><td>3-15/16</td><td>47</td><td>1-7/8</td><td>3</td><td>1/8</td></tr> <tr><td>095-16</td><td>120</td><td>4-3/4</td><td>57</td><td>2-1/4</td><td>3</td><td>1/8</td></tr> <tr><td>095-17</td><td>130</td><td>5-1/8</td><td>62</td><td>2-7/16</td><td>3</td><td>1/8</td></tr> </tbody> </table>		mm	inch	mm	inch	mm	inch	095-A	22	7/8	8	5/16	1,5	1/16	095-0	27	1-1/16	10	3/8	1,3	3/64	095-1	32	1-1/4	12	1/2	1,7	1/16	095-2	32	1-1/4	12	1/2	2,7	7/64	095-3	38	1-1/2	16	5/8	1,7	1/16	095-4	38	1-1/2	16	5/8	2,7	7/64	095-5	45	1-3/4	19	3/4	2	5/64	095-6	45	1-3/4	19	3/4	3	1/8	095-7	51	2	21	13/16	2	5/64	095-8	51	2	21	13/16	3	1/8	095-9	57	2-1/4	25	1	2	5/64	095-10	57	2-1/4	25	1	3,2	1/8	095-11	72	2-13/16	32	1-1/4	2	5/64	095-12	70	2-3/4	32	1-1/4	3,5	9/64	095-13	80	3-1/8	37	1-7/16	2	5/64	095-14	80	3-1/8	37	1-7/16	3,7	9/64	095-15	100	3-15/16	47	1-7/8	3	1/8	095-16	120	4-3/4	57	2-1/4	3	1/8	095-17	130	5-1/8	62	2-7/16	3	1/8	 
	mm	inch	mm	inch	mm	inch																																																																																																																																									
095-A	22	7/8	8	5/16	1,5	1/16																																																																																																																																									
095-0	27	1-1/16	10	3/8	1,3	3/64																																																																																																																																									
095-1	32	1-1/4	12	1/2	1,7	1/16																																																																																																																																									
095-2	32	1-1/4	12	1/2	2,7	7/64																																																																																																																																									
095-3	38	1-1/2	16	5/8	1,7	1/16																																																																																																																																									
095-4	38	1-1/2	16	5/8	2,7	7/64																																																																																																																																									
095-5	45	1-3/4	19	3/4	2	5/64																																																																																																																																									
095-6	45	1-3/4	19	3/4	3	1/8																																																																																																																																									
095-7	51	2	21	13/16	2	5/64																																																																																																																																									
095-8	51	2	21	13/16	3	1/8																																																																																																																																									
095-9	57	2-1/4	25	1	2	5/64																																																																																																																																									
095-10	57	2-1/4	25	1	3,2	1/8																																																																																																																																									
095-11	72	2-13/16	32	1-1/4	2	5/64																																																																																																																																									
095-12	70	2-3/4	32	1-1/4	3,5	9/64																																																																																																																																									
095-13	80	3-1/8	37	1-7/16	2	5/64																																																																																																																																									
095-14	80	3-1/8	37	1-7/16	3,7	9/64																																																																																																																																									
095-15	100	3-15/16	47	1-7/8	3	1/8																																																																																																																																									
095-16	120	4-3/4	57	2-1/4	3	1/8																																																																																																																																									
095-17	130	5-1/8	62	2-7/16	3	1/8																																																																																																																																									
		<p>A RICHIESTA: GUIDE FUORI MISURA ON REQUEST: ALL THE OTHER SIZES</p>																																																																																																																																													

<p>GO 406</p>	<p>SPLIT-TUBE FOLDER</p>	<p>GUIDA PER COLLARETTI</p>	<p>GUIDE COLLERETTE</p>	<p>GUIA PARA COLLARINES</p>
----------------------	------------------------------	---------------------------------	-----------------------------	---------------------------------



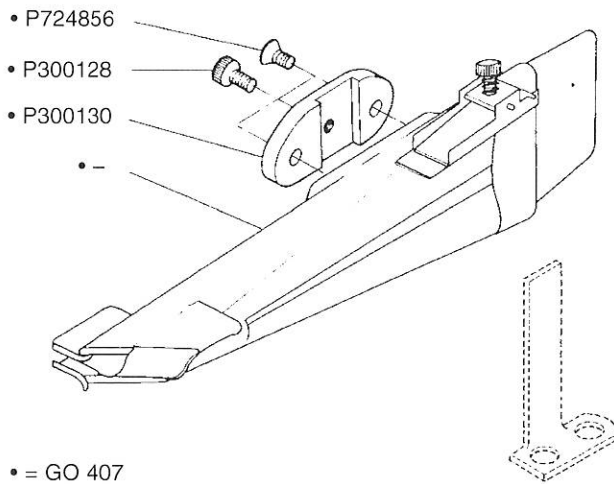
						
	mm	inch	mm	inch	mm	inch
095B-0	28	1-1/8	10	3/8	1,3	3/64
095B-1	33	1-5/16	12,5	1/2	1,7	1/16
095B-2	33	1-5/16	12,5	1/2	2,7	7/64
095B-3	40	1-9/16	16	5/8	1,7	1/16
095B-4	40	1-9/16	16	5/8	2,7	7/64
095B-5	47	1-7/8	19	3/4	2	5/64
095B-6	47	1-7/8	19	3/4	3	1/8
095B-7	53	2-3/32	22	7/8	2	5/64
095B-8	53	2-3/32	22	7/8	3	1/8
095B-9	59	2-5/16	25	1	2	5/64
095B-10	59	2-5/16	25	1	3,2	1/8
095B-11	72	2-7/8	32	1-1/4	2	5/64
095B-12	72	2-7/8	32	1-1/4	3,7	9/64
095B-13	82	3-1/4	37	1-7/16	2	5/64
095B-14	82	3-1/4	37	1-7/16	3,7	9/64
095B-15	103	4-1/16	47	1-7/8	3	1/8
095B-16	123	4-7/8	57	2-1/4	3	1/8
095B-17	133	5-1/4	62	2-7/16	3	1/8

• = GO 406

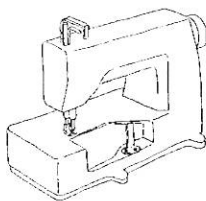
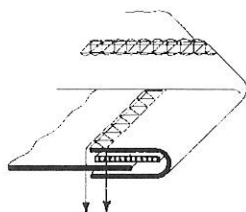


**A RICHIESTA:
GUIDE FUORI MISURA
ON REQUEST:
ALL THE OTHER SIZES**

<p>GO 407</p>	<p>SPLIT-TUBE FOLDER WITH REINFORCEMENT</p>	<p>GUIDA PER COLLARETTI CON RINFORZO</p>	<p>GUIDE COLLERETTE AVEC RENFORT</p>	<p>GUIA PARA COLLARINES CON REFUERZO</p>
----------------------	---	--	--	--



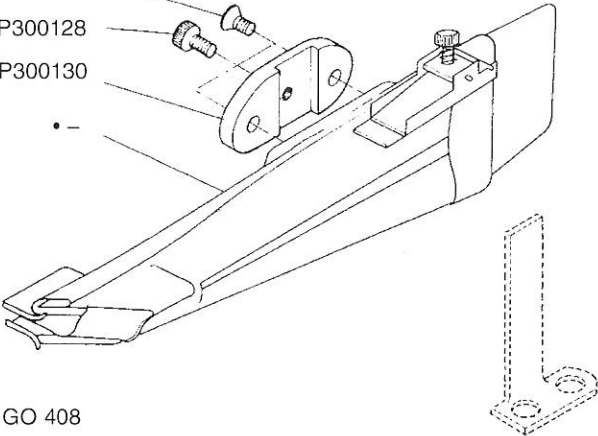
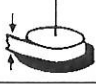

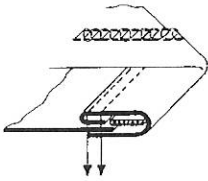
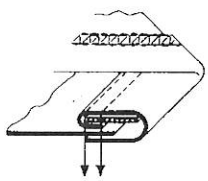
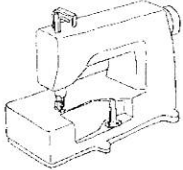
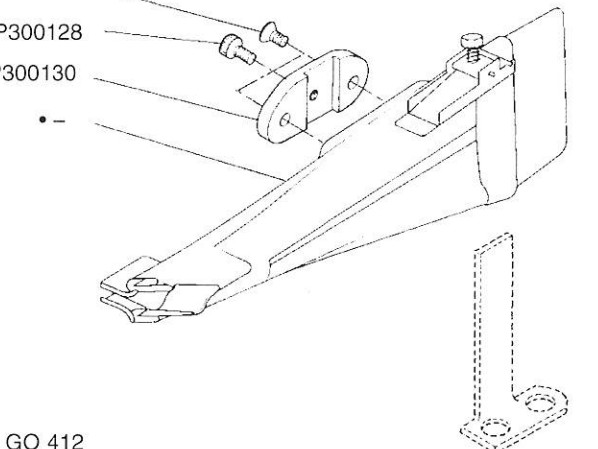
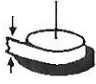

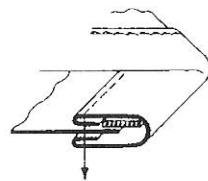
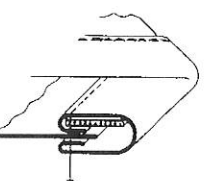
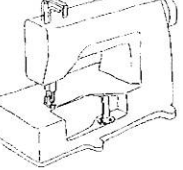
• = GO 407



**COSTRUITO SU RICHIESTA
MANUFACTURED ON REQUEST
FABRIQUE SUR COMMANDE
SE CONSTRUYE SOBRE DEMANDA**

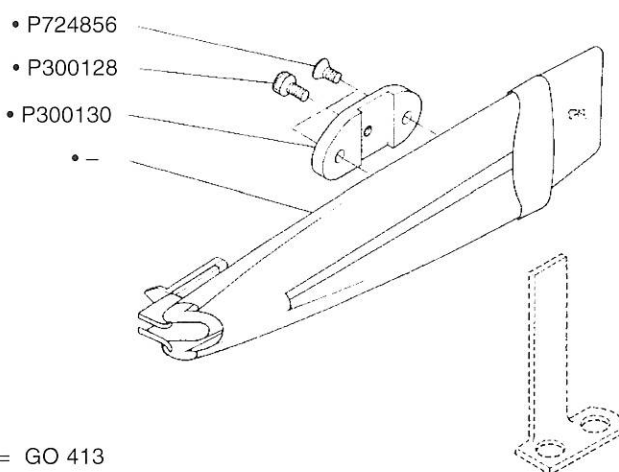
<h2 style="margin:0;">GO 409 SET</h2>	SPLIT-TUBE FOLDER TO FIT FLAT BED MACHINES	GUIDA PER COLLARETTI PER MACCHINA PIANA	GUIDE COLLERETTE POUR PIQUEUSES	GUIA PARA COLLARINES PARA MAQUINAS PLANAS																																																																																																									
<p style="text-align: right;">▲ = GO 409 SET ● = CF A2060</p>	<table border="1" style="width:100%; border-collapse: collapse;"> <thead> <tr> <th></th> <th colspan="2"></th> <th colspan="2"></th> <th colspan="2"></th> </tr> <tr> <th></th> <th>mm</th> <th>inch</th> <th>mm</th> <th>inch</th> <th>mm</th> <th>inch</th> </tr> </thead> <tbody> <tr><td>098A-2L</td><td>22</td><td>7/8</td><td>5,5</td><td>7/32</td><td>1</td><td>3/64</td></tr> <tr><td>098A-2H</td><td>22</td><td>7/8</td><td>5,5</td><td>7/32</td><td>2</td><td>5/64</td></tr> <tr><td>098A-3L</td><td>28</td><td>1-1/8</td><td>7</td><td>9/32</td><td>1</td><td>3/64</td></tr> <tr><td>098A-3H</td><td>28</td><td>1-1/8</td><td>7</td><td>9/32</td><td>2</td><td>5/64</td></tr> <tr><td>098A-4H</td><td>25</td><td>1</td><td>6</td><td>1/4</td><td>2</td><td>5/64</td></tr> <tr><td>098-0</td><td>32</td><td>1-1/4</td><td>8</td><td>5/16</td><td>1,5</td><td>1/16</td></tr> <tr><td>098A-0</td><td>35</td><td>1-3/8</td><td>10</td><td>3/8</td><td>2</td><td>5/64</td></tr> <tr><td>098-1</td><td>38</td><td>1-1/2</td><td>12</td><td>1/2</td><td>2</td><td>5/64</td></tr> <tr><td>098-2</td><td>42</td><td>1-11/16</td><td>14</td><td>9/16</td><td>2</td><td>5/64</td></tr> <tr><td>098-3</td><td>46</td><td>1-13/16</td><td>16</td><td>5/8</td><td>2</td><td>5/64</td></tr> <tr><td>098-4</td><td>56</td><td>2-3/16</td><td>21</td><td>13/16</td><td>2,5</td><td>3/32</td></tr> <tr><td>098-5</td><td>65</td><td>2-9/16</td><td>25</td><td>1</td><td>2</td><td>5/64</td></tr> <tr><td>098-6</td><td>66</td><td>2-5/8</td><td>26</td><td>1-1/32</td><td>3,5</td><td>9/64</td></tr> </tbody> </table>												mm	inch	mm	inch	mm	inch	098A-2L	22	7/8	5,5	7/32	1	3/64	098A-2H	22	7/8	5,5	7/32	2	5/64	098A-3L	28	1-1/8	7	9/32	1	3/64	098A-3H	28	1-1/8	7	9/32	2	5/64	098A-4H	25	1	6	1/4	2	5/64	098-0	32	1-1/4	8	5/16	1,5	1/16	098A-0	35	1-3/8	10	3/8	2	5/64	098-1	38	1-1/2	12	1/2	2	5/64	098-2	42	1-11/16	14	9/16	2	5/64	098-3	46	1-13/16	16	5/8	2	5/64	098-4	56	2-3/16	21	13/16	2,5	3/32	098-5	65	2-9/16	25	1	2	5/64	098-6	66	2-5/8	26	1-1/32	3,5	9/64
	mm	inch	mm	inch	mm	inch																																																																																																							
098A-2L	22	7/8	5,5	7/32	1	3/64																																																																																																							
098A-2H	22	7/8	5,5	7/32	2	5/64																																																																																																							
098A-3L	28	1-1/8	7	9/32	1	3/64																																																																																																							
098A-3H	28	1-1/8	7	9/32	2	5/64																																																																																																							
098A-4H	25	1	6	1/4	2	5/64																																																																																																							
098-0	32	1-1/4	8	5/16	1,5	1/16																																																																																																							
098A-0	35	1-3/8	10	3/8	2	5/64																																																																																																							
098-1	38	1-1/2	12	1/2	2	5/64																																																																																																							
098-2	42	1-11/16	14	9/16	2	5/64																																																																																																							
098-3	46	1-13/16	16	5/8	2	5/64																																																																																																							
098-4	56	2-3/16	21	13/16	2,5	3/32																																																																																																							
098-5	65	2-9/16	25	1	2	5/64																																																																																																							
098-6	66	2-5/8	26	1-1/32	3,5	9/64																																																																																																							
		<p>A RICHIESTA: GUIDE FUORI MISURA ON REQUEST: ALL THE OTHER SIZES</p>																																																																																																											

<h2 style="margin:0;">GO 410</h2>	SPLIT-TUBE FOLDER	GUIDA PER COLLARETTI	GUIDE COLLERETTE	GUIA PARA COLLARINES																																																																																																																																																																								
<p style="text-align: right;">● = GO 410</p>	<table border="1" style="width:100%; border-collapse: collapse;"> <thead> <tr> <th></th> <th colspan="2"></th> <th colspan="2"></th> <th colspan="2"></th> </tr> <tr> <th></th> <th>mm</th> <th>inch</th> <th>mm</th> <th>inch</th> <th>mm</th> <th>inch</th> </tr> </thead> <tbody> <tr><td>098A-2L</td><td>22</td><td>7/8</td><td>5,5</td><td>7/32</td><td>1</td><td>3/64</td></tr> <tr><td>098A-2H</td><td>22</td><td>7/8</td><td>5,5</td><td>7/32</td><td>2</td><td>5/64</td></tr> <tr><td>098A-3L</td><td>28</td><td>1-1/8</td><td>7</td><td>9/32</td><td>1</td><td>3/64</td></tr> <tr><td>098A-3H</td><td>28</td><td>1-1/8</td><td>7</td><td>9/32</td><td>2</td><td>5/64</td></tr> <tr><td>098A-4H</td><td>25</td><td>1</td><td>6</td><td>1/4</td><td>2</td><td>5/64</td></tr> <tr><td>098-0</td><td>32</td><td>1-1/4</td><td>8</td><td>5/16</td><td>1,5</td><td>1/16</td></tr> <tr><td>098A-0</td><td>35</td><td>1-3/8</td><td>10</td><td>3/8</td><td>2</td><td>5/64</td></tr> <tr><td>098-1</td><td>38</td><td>1-1/2</td><td>12</td><td>1/2</td><td>2</td><td>5/64</td></tr> <tr><td>098-2</td><td>42</td><td>1-11/16</td><td>14</td><td>9/16</td><td>2</td><td>5/64</td></tr> <tr><td>098-3</td><td>46</td><td>1-13/16</td><td>16</td><td>5/8</td><td>2</td><td>5/64</td></tr> <tr><td>098-4</td><td>56</td><td>2-3/16</td><td>21</td><td>13/16</td><td>2,5</td><td>3/32</td></tr> <tr><td>098-5</td><td>65</td><td>2-9/16</td><td>25</td><td>1</td><td>2</td><td>5/64</td></tr> <tr><td>098-6</td><td>66</td><td>2-5/8</td><td>26</td><td>1-1/32</td><td>3,5</td><td>9/64</td></tr> <tr><td>098-7</td><td>78</td><td>3-1/16</td><td>29</td><td>1-3/16</td><td>2</td><td>5/64</td></tr> <tr><td>098-8</td><td>78</td><td>3-1/16</td><td>32</td><td>1-1/4</td><td>1,4</td><td>1/16</td></tr> <tr><td>098-10</td><td>86</td><td>3-3/8</td><td>35</td><td>1-3/8</td><td>1,5</td><td>1/16</td></tr> <tr><td>098-11</td><td>92</td><td>3-5/8</td><td>38</td><td>1-1/2</td><td>1,2</td><td>3/64</td></tr> <tr><td>098-12</td><td>96</td><td>3-3/4</td><td>40</td><td>1-9/16</td><td>2,5</td><td>3/32</td></tr> <tr><td>098-13</td><td>96</td><td>3-3/4</td><td>40</td><td>1-9/16</td><td>3,5</td><td>9/64</td></tr> <tr><td>098-14</td><td>100</td><td>3-15/16</td><td>42</td><td>1-11/16</td><td>1,5</td><td>1/16</td></tr> <tr><td>098-15</td><td>130</td><td>5-1/8</td><td>57</td><td>2-1/4</td><td>2,5</td><td>3/32</td></tr> <tr><td>098-16</td><td>130</td><td>5-1/8</td><td>57</td><td>2-1/4</td><td>3,5</td><td>9/64</td></tr> </tbody> </table>												mm	inch	mm	inch	mm	inch	098A-2L	22	7/8	5,5	7/32	1	3/64	098A-2H	22	7/8	5,5	7/32	2	5/64	098A-3L	28	1-1/8	7	9/32	1	3/64	098A-3H	28	1-1/8	7	9/32	2	5/64	098A-4H	25	1	6	1/4	2	5/64	098-0	32	1-1/4	8	5/16	1,5	1/16	098A-0	35	1-3/8	10	3/8	2	5/64	098-1	38	1-1/2	12	1/2	2	5/64	098-2	42	1-11/16	14	9/16	2	5/64	098-3	46	1-13/16	16	5/8	2	5/64	098-4	56	2-3/16	21	13/16	2,5	3/32	098-5	65	2-9/16	25	1	2	5/64	098-6	66	2-5/8	26	1-1/32	3,5	9/64	098-7	78	3-1/16	29	1-3/16	2	5/64	098-8	78	3-1/16	32	1-1/4	1,4	1/16	098-10	86	3-3/8	35	1-3/8	1,5	1/16	098-11	92	3-5/8	38	1-1/2	1,2	3/64	098-12	96	3-3/4	40	1-9/16	2,5	3/32	098-13	96	3-3/4	40	1-9/16	3,5	9/64	098-14	100	3-15/16	42	1-11/16	1,5	1/16	098-15	130	5-1/8	57	2-1/4	2,5	3/32	098-16	130	5-1/8	57	2-1/4	3,5	9/64
	mm	inch	mm	inch	mm	inch																																																																																																																																																																						
098A-2L	22	7/8	5,5	7/32	1	3/64																																																																																																																																																																						
098A-2H	22	7/8	5,5	7/32	2	5/64																																																																																																																																																																						
098A-3L	28	1-1/8	7	9/32	1	3/64																																																																																																																																																																						
098A-3H	28	1-1/8	7	9/32	2	5/64																																																																																																																																																																						
098A-4H	25	1	6	1/4	2	5/64																																																																																																																																																																						
098-0	32	1-1/4	8	5/16	1,5	1/16																																																																																																																																																																						
098A-0	35	1-3/8	10	3/8	2	5/64																																																																																																																																																																						
098-1	38	1-1/2	12	1/2	2	5/64																																																																																																																																																																						
098-2	42	1-11/16	14	9/16	2	5/64																																																																																																																																																																						
098-3	46	1-13/16	16	5/8	2	5/64																																																																																																																																																																						
098-4	56	2-3/16	21	13/16	2,5	3/32																																																																																																																																																																						
098-5	65	2-9/16	25	1	2	5/64																																																																																																																																																																						
098-6	66	2-5/8	26	1-1/32	3,5	9/64																																																																																																																																																																						
098-7	78	3-1/16	29	1-3/16	2	5/64																																																																																																																																																																						
098-8	78	3-1/16	32	1-1/4	1,4	1/16																																																																																																																																																																						
098-10	86	3-3/8	35	1-3/8	1,5	1/16																																																																																																																																																																						
098-11	92	3-5/8	38	1-1/2	1,2	3/64																																																																																																																																																																						
098-12	96	3-3/4	40	1-9/16	2,5	3/32																																																																																																																																																																						
098-13	96	3-3/4	40	1-9/16	3,5	9/64																																																																																																																																																																						
098-14	100	3-15/16	42	1-11/16	1,5	1/16																																																																																																																																																																						
098-15	130	5-1/8	57	2-1/4	2,5	3/32																																																																																																																																																																						
098-16	130	5-1/8	57	2-1/4	3,5	9/64																																																																																																																																																																						
		<p>A RICHIESTA: GUIDE FUORI MISURA ON REQUEST: ALL THE OTHER SIZES</p>																																																																																																																																																																										



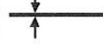
GO 408	SPLIT-TUBE FOLDER WITH ELASTIC	GUIDA PER COLLARETTI CON ELASTICO	GUIDE COLLERETTE AVEC ELASTIQUE	GUIA PARA COLLARINES CON ELASTICO																
<ul style="list-style-type: none"> • P724856 • P300128 • P300130 • -  <p>• = GO 408</p>			  <table border="1" data-bbox="933 398 1169 600"> <thead> <tr> <th>mm</th> <th>mm</th> </tr> </thead> <tbody> <tr><td>20</td><td>6</td></tr> <tr><td>24</td><td>8</td></tr> <tr><td>28</td><td>10</td></tr> <tr><td>32</td><td>12</td></tr> <tr><td>36</td><td>14</td></tr> <tr><td>42</td><td>16</td></tr> <tr><td>50</td><td>20</td></tr> </tbody> </table>	mm	mm	20	6	24	8	28	10	32	12	36	14	42	16	50	20	
mm	mm																			
20	6																			
24	8																			
28	10																			
32	12																			
36	14																			
42	16																			
50	20																			
 			<p>A RICHIESTA: GUIDE FUORI MISURA ON REQUEST: ALL THE OTHER SIZES</p>																	
GO 412	SPLIT-TUBE FOLDER WITH ELASTIC	GUIDA PER COLLARETTI CON ELASTICO	GUIDE COLLERETTE AVEC ELASTIQUE	GUIA PARA COLLARINES CON ELASTICO																
<ul style="list-style-type: none"> • P724856 • P300128 • P300130 • -  <p>• = GO 412</p>			  <table border="1" data-bbox="933 1370 1169 1572"> <thead> <tr> <th>mm</th> <th>mm</th> </tr> </thead> <tbody> <tr><td>21</td><td>4</td></tr> <tr><td>28</td><td>6</td></tr> <tr><td>32</td><td>8</td></tr> <tr><td>35</td><td>10</td></tr> <tr><td>42</td><td>12</td></tr> <tr><td>45</td><td>14</td></tr> <tr><td>50</td><td>16</td></tr> </tbody> </table>	mm	mm	21	4	28	6	32	8	35	10	42	12	45	14	50	16	
mm	mm																			
21	4																			
28	6																			
32	8																			
35	10																			
42	12																			
45	14																			
50	16																			
 			<p>A RICHIESTA: GUIDE FUORI MISURA ON REQUEST: ALL THE OTHER SIZES</p>																	

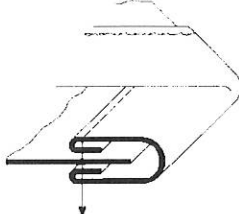
GO 413	SPLIT-TUBE FOLDER	GUIDA PER COLLARETTI	GUIDE COLLERETTE	GUIA PARA COLLARINES
---------------	----------------------	-------------------------	---------------------	-------------------------

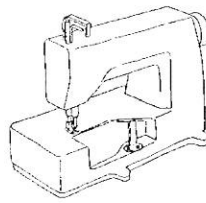
- P724856
- P300128
- P300130
- -



• = GO 413

							
mm	inch	mm	inch	mm	inch		
32	1-1/4	8	5/16	3,5	9/64		
38	1-1/2	12	1/2	3,5	9/64		
45	1-3/4	15	5/8	3,5	9/64		
50	2	19	3/4	3,5	9/64		
60	2-3/8	22	7/8	3,5	9/64		
70	2-3/4	26	1-1/16	3,5	9/64		
80	3-1/8	30	1-3/16	3,5	9/64		





**A RICHIESTA:
GUIDE FUORI MISURA
ON REQUEST:
ALL THE OTHER SIZES**

PROTES

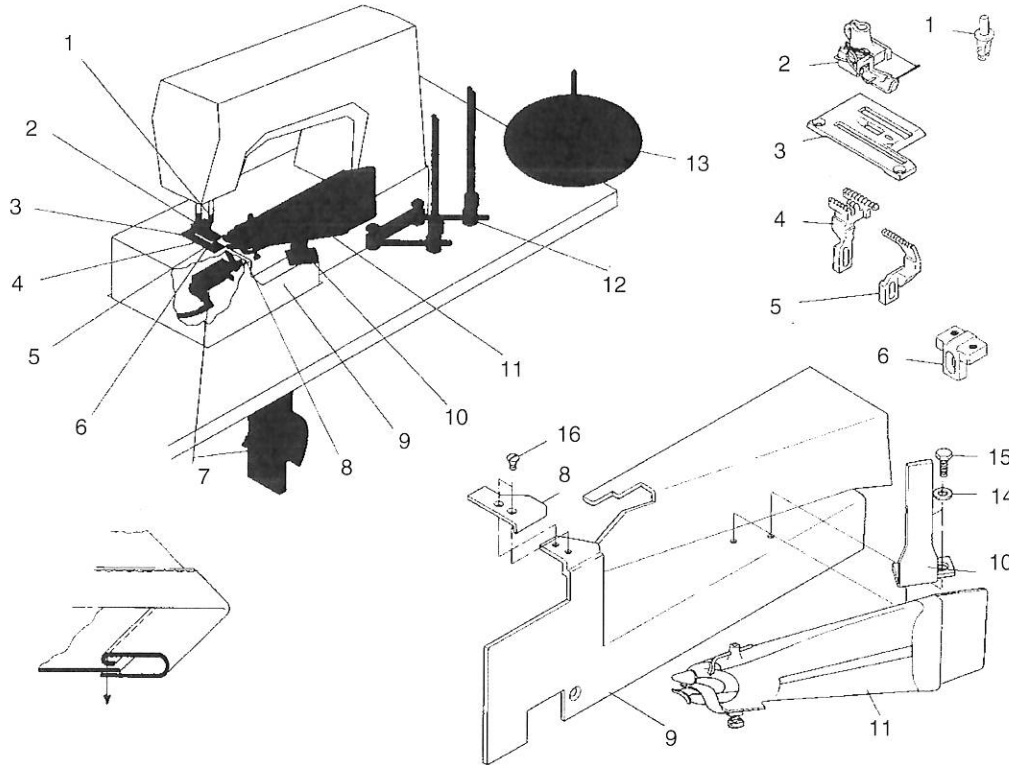
GO 415

LINKING
SPLIT-TUBE
FOLDER

GUIDA
COLLARETTO
PER FINITO
RIMAGLIO

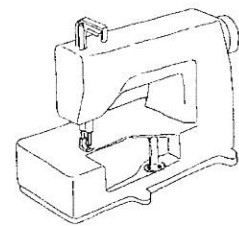
GUIDE
REMAILAGE

GUIA PARA
FALSO
REMALLADO



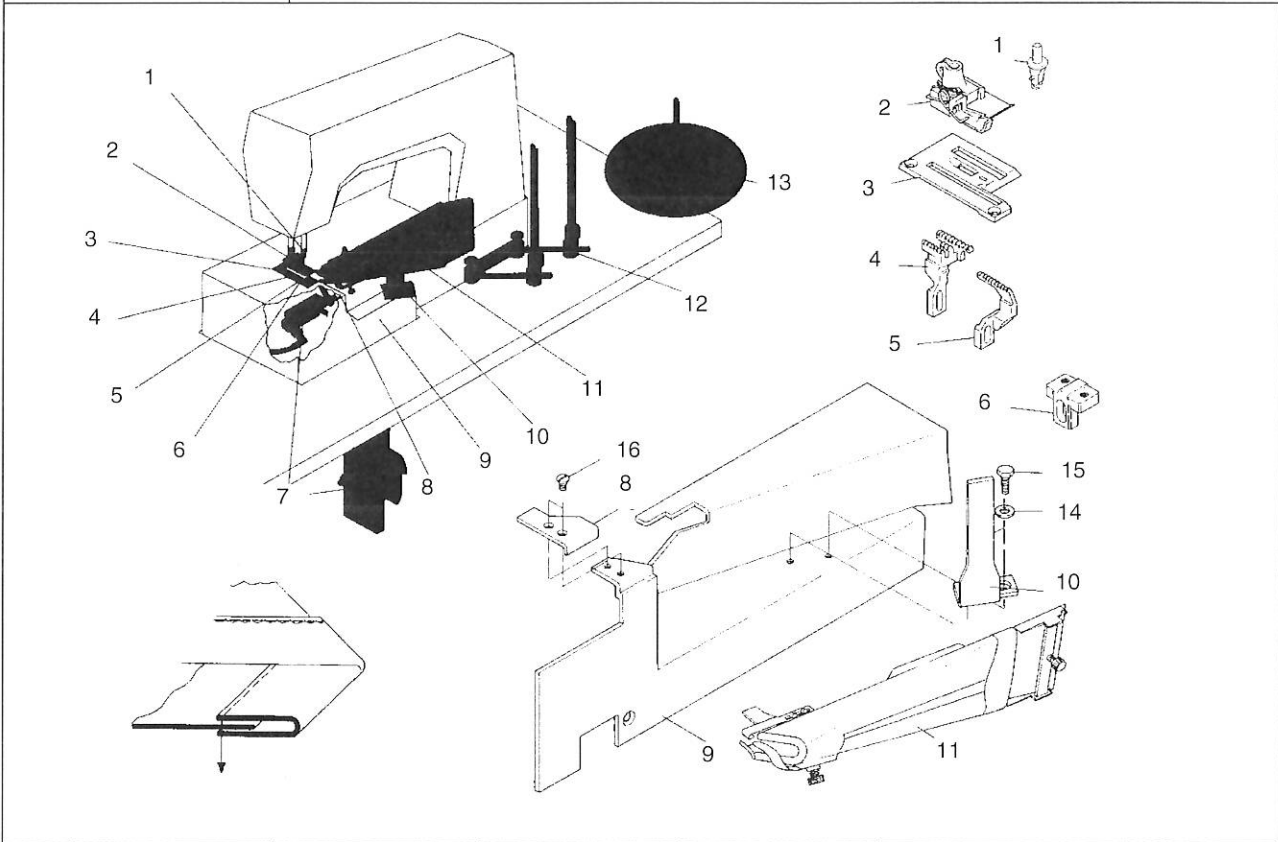
2

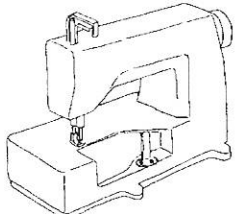
Pos.	Code No. RIMOLDI	Code No. BROTHER			
1	P303184	-			
2	BM 514	BM 514			
3	P303190	P303190			
4	P300034	CF 402100			
5	P300037	CF 402101			
6	P300068	-			
7	CF 1001	CF 1001			
8	BM 309232/1	CF 402104			
9	BM 309186/1	CF 402102			
10	P300174	CF 402103			
11	GO 415	GO 415			
12	CF 517	CF 517			
13	CF 230	CF 230			
14	P704216	P704216			
15	P303023	P303023			
16	P744636	P724430			
			<p>A RICHIESTA: GUIDE FUORI MISURA ON REQUEST: ALL THE OTHER SIZES</p>		



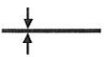





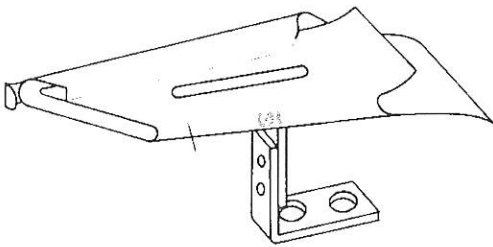
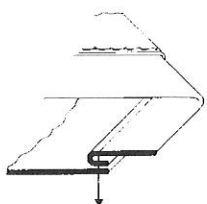
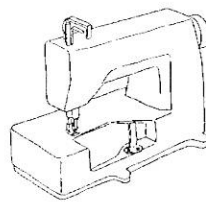
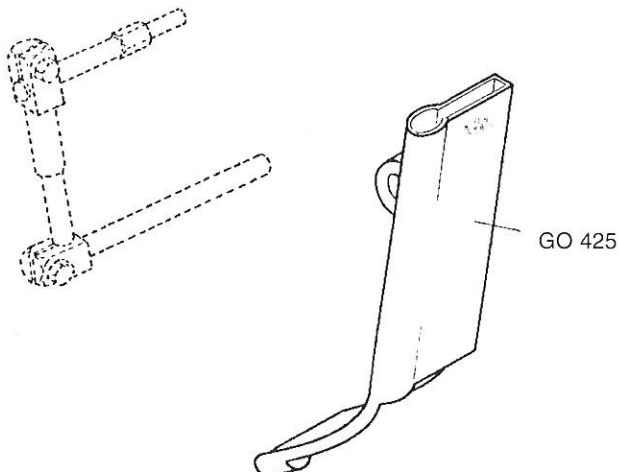
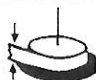
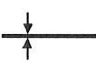
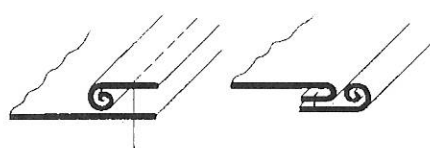
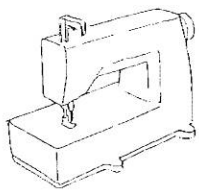
mm	inch	mm	inch	mm	inch	mm	inch	mm	inch	mm	inch
36	1-7/16	12	15/32	6,5	1/4	100	3-15/16	42	1-21/32	6,5	1/4
40	1-9/16	13	1/2	6,5	1/4	110	4-3/8	47	1-7/8	6,5	1/4
45	1-3/4	15	5/8	6,5	1/4	120	4-3/4	52	2-1/16	6,5	1/4
50	2	18	11/16	6,5	1/4	130	5-1/8	57	2-1/4	6,5	1/4
55	2-3/16	20	3/4	6,5	1/4	140	5-1/2	62	2-7/16	6,5	1/4
60	2-3/8	22	7/8	6,5	1/4	150	5-15/16	67	2-5/8	6,5	1/4
65	2-9/16	25	1	6,5	1/4	160	6-5/16	72	2-7/8	6,5	1/4
70	2-3/4	28	1-1/8	6,5	1/4	170	6-11/16	77	3-1/16	6,5	1/4
75	2-15/16	30	1-3/16	6,5	1/4	180	7-1/8	82	3-1/4	6,5	1/4
80	3-1/8	32	1-1/4	6,5	1/4						
85	3-3/8	35	1-3/8	6,5	1/4						

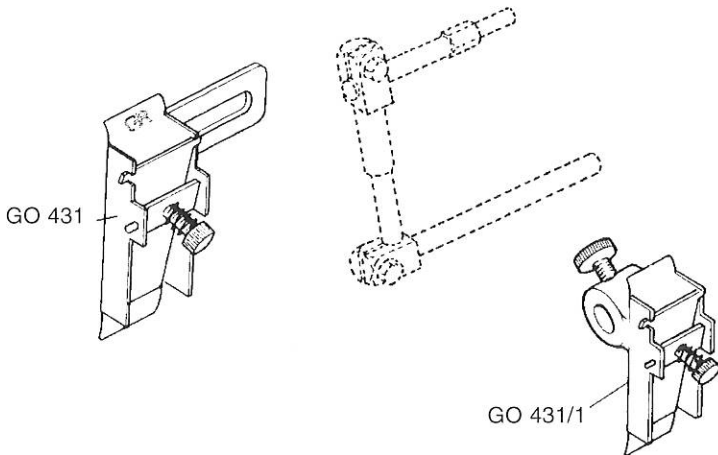

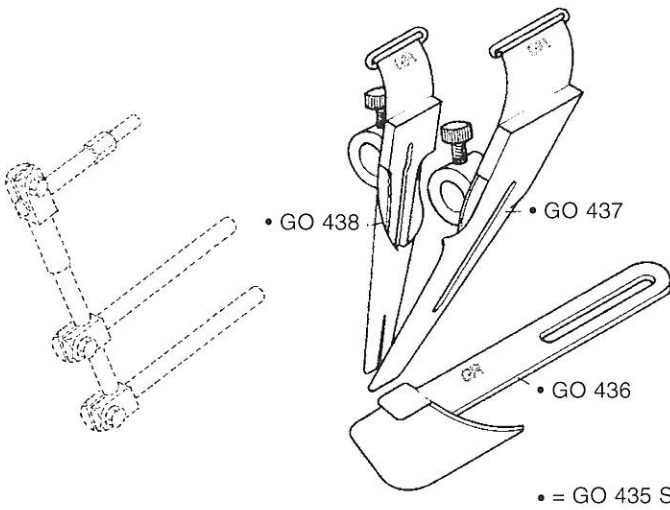
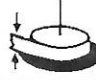
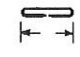
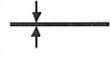
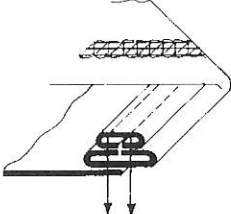
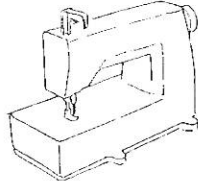
GO 417	LINKING SPLIT-TUBE FOLDER	GUIDA COLLARETTO PER FINITO RIMAGLIO	GUIDE REMAILAGE	GUIA PARA FALSO REMALLADO
---------------	---------------------------------	---	--------------------	---------------------------------

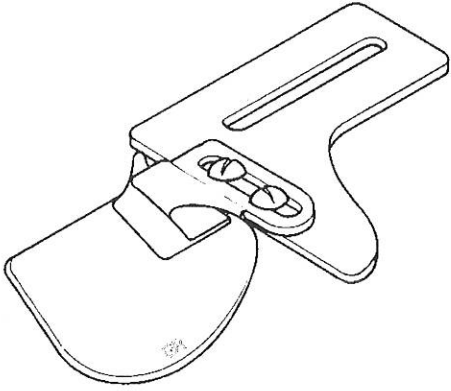

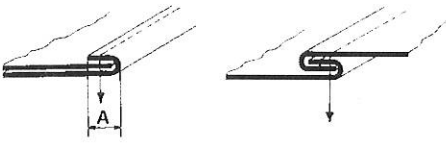
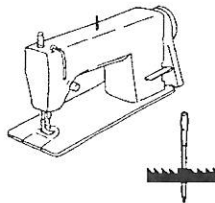
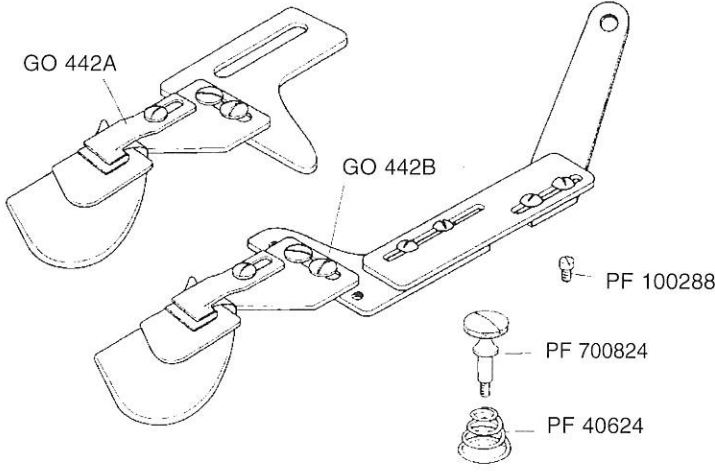

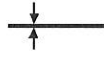
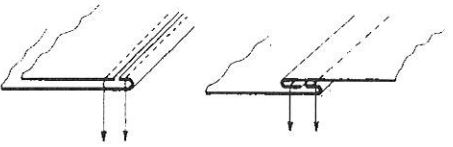
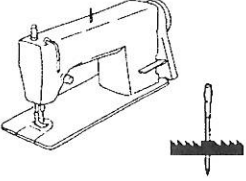


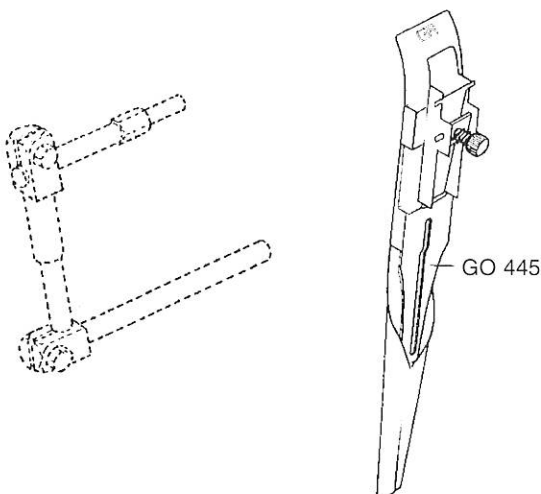
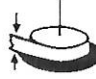



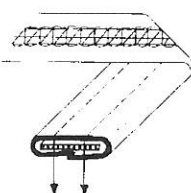
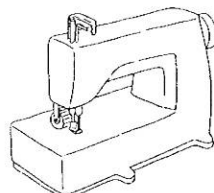
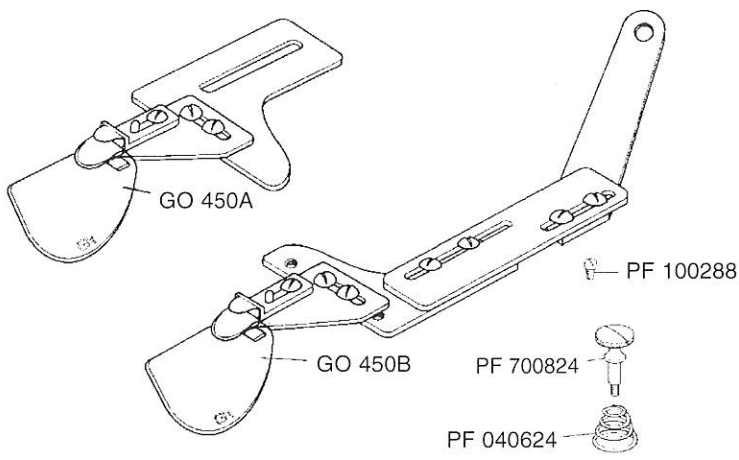

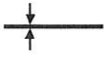
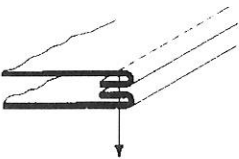
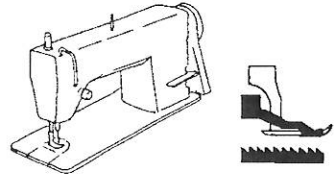
Pos.	Code No. RIMOLDI	Code No. BROTHER			
1	P303184	-			
2	BM 514	BM 514			
3	P303190	P303190			
4	P300034	CF 402100			
5	P300037	CF 402101			
6	P300068	-			
7	CF 1001	CF 1001			
8	BM 309232/1	CF 402104			
9	BM 309186/1	CF 402102			
10	P300174	CF 402103			
11	GO 417	GO 417			
12	CF 517	CF 517			
13	CF 230	CF 230			
14	P704216	P704216			
15	P303023	P303023			
16	P744636	P724430			
A RICHIESTA: GUIDE FUORI MISURA ON REQUEST: ALL THE OTHER SIZES					

											
mm	inch	mm	inch	mm	inch	mm	inch	mm	inch	mm	inch
20	3/4	10	3/8	6	1/4	80	3-1/8	40	1-9/16	6	1/4
25	1	12,5	1/2	6	1/4	85	3-3/8	42,5	1-11/16	6	1/4
30	1-3/16	15	5/8	6	1/4	90	3-9/16	45	1-3/4	6	1/4
35	1-3/8	17,5	11/16	6	1/4	95	3-3/4	47,5	1-7/8	6	1/4
40	1-9/16	20	3/4	6	1/4	100	3-15/16	50	2	6	1/4
45	1-3/4	22,5	7/8	6	1/4	105	4-1/8	52,5	2-1/16	6	1/4
50	2	25	1	6	1/4	110	4-3/8	55	2-3/16	6	1/4
55	2-3/16	27,5	1-3/32	6	1/4	120	4-3/4	60	2-3/8	6	1/4
60	2-3/8	30	1-3/16	6	1/4	130	5-1/8	65	2-9/16	6	1/4
65	2-9/16	32,5	1-1/4	6	1/4	140	5-1/2	70	2-3/4	6	1/4
70	2-3/4	35	1-3/8	6	1/4	150	5-5/16	75	2-15/16	6	1/4
75	2-15/16	37,5	1-1/2	6	1/4						

<p>GO 420</p>	<p>FOLDER FOR KNIT STRIPS</p>	<p>GUIDA PER L' APPLICAZIONE DI STRISCE IN MAGLIA CIMOSATE</p>	<p>GUIDE POUR POSE BANDES AVEC LISIERE</p>	<p>GUIA PARA LA APLICACION DE TIRAS ACABADAS EN GENERO DE PUNTO</p>		
						
		<p>COSTRUITO SU RICHIESTA MANUFACTURED ON REQUEST FABRIQUE SUR COMMANDE SE COSTRUYE SOBRE DEMANDA</p>				
<p>GO 425</p>	<p>ATTACHMENT FOR KNIT STRIPS WITH ROLLED EDGE</p>	<p>GUIDA PER STRISCIA IN MAGLIA CON TERMINALE ARROTOLATO</p>	<p>GUIDE POSE BANDE POUR TRICOT AVEC BORDURE ROULCE</p>	<p>GUIA PARA TIRA DE GENERO DE PUNTO CON TERMINAL REDONDEADO</p>		
						
				<p>A RICHIESTA: GUIDE FUORI MISURA ON REQUEST: ALL THE OTHER SIZES</p>		

<p>GO 431 GO 431/1</p>	<p>ADJUSTABLE ELASTIC FITTING</p>	<p>FRENAGGIO PER ELASTICO</p>	<p>GUIDE POSE ELASTIQUE REGLABLE</p>	<p>FRENATE PARA ELASTICO REGULABLE</p>																			
 <p>GO 431</p> <p>GO 431/1</p>	 <table border="1"> <thead> <tr> <th>mm</th> <th>inch</th> </tr> </thead> <tbody> <tr> <td>8</td> <td>5/16</td> </tr> <tr> <td>10</td> <td>3/8</td> </tr> <tr> <td>12</td> <td>1/2</td> </tr> <tr> <td>15</td> <td>5/8</td> </tr> <tr> <td>20</td> <td>3/4</td> </tr> <tr> <td>25</td> <td>1</td> </tr> <tr> <td>30</td> <td>1-3/16</td> </tr> <tr> <td>35</td> <td>1-3/8</td> </tr> <tr> <td>40</td> <td>1-9/16</td> </tr> </tbody> </table>	mm	inch	8	5/16	10	3/8	12	1/2	15	5/8	20	3/4	25	1	30	1-3/16	35	1-3/8	40	1-9/16		
mm	inch																						
8	5/16																						
10	3/8																						
12	1/2																						
15	5/8																						
20	3/4																						
25	1																						
30	1-3/16																						
35	1-3/8																						
40	1-9/16																						
<p>GO 435 SET</p>	<p>FOLDER TO LAY ORNAMENTAL STRIPS</p>	<p>GUIDE PER BANDE ORNAMENTALI</p>	<p>GUIDES POSE BANDES ORNAMENTALES</p>	<p>GUIAS PARA TIRAS ORNAMENTALES</p>																			
 <p>• GO 438</p> <p>• GO 437</p> <p>• GO 436</p> <p>• = GO 435 SET</p>	 <table border="1"> <thead> <tr> <th>mm</th> <th>inch</th> </tr> </thead> <tbody> <tr> <td colspan="2">GO 437</td> </tr> <tr> <td>30</td> <td>1-3/16</td> </tr> <tr> <td colspan="2">GO 438</td> </tr> <tr> <td>20</td> <td>3/4</td> </tr> </tbody> </table>	mm	inch	GO 437		30	1-3/16	GO 438		20	3/4	 <table border="1"> <thead> <tr> <th>mm</th> <th>inch</th> </tr> </thead> <tbody> <tr> <td>15</td> <td>19/32</td> </tr> <tr> <td>10</td> <td>3/8</td> </tr> </tbody> </table>	mm	inch	15	19/32	10	3/8	 <table border="1"> <tbody> <tr> <td>M</td> </tr> <tr> <td>M</td> </tr> </tbody> </table>	M	M		
mm	inch																						
GO 437																							
30	1-3/16																						
GO 438																							
20	3/4																						
mm	inch																						
15	19/32																						
10	3/8																						
M																							
M																							
		<p>A RICHIESTA: GUIDE FUORI MISURA ON REQUEST: ALL THE OTHER SIZES</p>																					

<p>GO 441</p>	<p>GUIDE FOR SHIRT SLEEVE ATTACHING</p>	<p>GUIDA PER ATTACCATURA MANICA CAMICIA</p>	<p>GUIDE POUR APPLICATION MANICHE DE CHEMISE</p>	<p>GUIA PARA APPLICACION MANGA CAMISETA</p>																						
			<p>"A"</p> 	<table border="1"> <tr> <td>mm</td> <td>inch</td> <td></td> </tr> <tr> <td>7</td> <td>9/32</td> <td>L</td> </tr> <tr> <td>7</td> <td>9/32</td> <td>M</td> </tr> <tr> <td>10</td> <td>3/8</td> <td>L</td> </tr> <tr> <td>10</td> <td>3/8</td> <td>M</td> </tr> <tr> <td>13</td> <td>1/2</td> <td>L</td> </tr> <tr> <td>13</td> <td>1/2</td> <td>M</td> </tr> </table>	mm	inch		7	9/32	L	7	9/32	M	10	3/8	L	10	3/8	M	13	1/2	L	13	1/2	M	
mm	inch																									
7	9/32	L																								
7	9/32	M																								
10	3/8	L																								
10	3/8	M																								
13	1/2	L																								
13	1/2	M																								
		<p>A RICHIESTA: GUIDE FUORI MISURA ON REQUEST: ALL THE OTHER SIZES</p>																								
<p>GO 442</p>	<p>GUIDE FOR SHIRT SLEEVE ATTACHING FOR 2 NEEDLE MACHINES</p>	<p>GUIDA PER ATTACCATURA MANICA CAMICIA PER MACCHINE 2 AGHI</p>	<p>GUIDE POUR APPLICATION MANICHE DE CHEMISE POUR MACHINES 2 AIGUILLES</p>	<p>GUIA PARA APPLICACION MANGA CAMISETA PARA MAQUINAS DE 2 AGUJAS</p>																						
			 <table border="1"> <tr> <td>mm</td> <td>inch</td> <td></td> </tr> <tr> <td>8</td> <td>5/16</td> <td>L</td> </tr> <tr> <td>10</td> <td>3/8</td> <td>L</td> </tr> <tr> <td>12</td> <td>1/2</td> <td>L</td> </tr> </table>	mm	inch		8	5/16	L	10	3/8	L	12	1/2	L											
mm	inch																									
8	5/16	L																								
10	3/8	L																								
12	1/2	L																								
		<p>A RICHIESTA: GUIDE FUORI MISURA ON REQUEST: ALL THE OTHER SIZES</p>																								

<p>GO 445</p>	<p>FOLDER WITH ELASTIC FOR SHOULDER-STRAPS</p>	<p>PIEGATORE CON ELASTICO PER FORMAZIONE SPALLINE</p>	<p>GUIDE POUR BRETelles ELASTIQUES</p>	<p>GUIA PARA TIRANTE ELASTICO</p>																																
		 <table border="1" data-bbox="933 380 1045 481"> <tr> <th>mm</th> <th>inch</th> </tr> <tr> <td>20</td> <td>3/4</td> </tr> <tr> <td>30</td> <td>1-3/16</td> </tr> <tr> <td>40</td> <td>1-9/16</td> </tr> </table>	mm	inch	20	3/4	30	1-3/16	40	1-9/16	 <table border="1" data-bbox="1061 380 1173 481"> <tr> <th>mm</th> <th>inch</th> </tr> <tr> <td>9</td> <td>5/16</td> </tr> <tr> <td>13</td> <td>1/2</td> </tr> <tr> <td>17</td> <td>11/16</td> </tr> </table>	mm	inch	9	5/16	13	1/2	17	11/16	 <table border="1" data-bbox="1204 380 1316 481"> <tr> <th>mm</th> <th>inch</th> </tr> <tr> <td>8</td> <td>5/16</td> </tr> <tr> <td>12</td> <td>1/2</td> </tr> <tr> <td>16</td> <td>5/8</td> </tr> </table>  <table border="1" data-bbox="1308 380 1428 481"> <tr> <th></th> <th></th> </tr> <tr> <td></td> <td>M</td> </tr> <tr> <td></td> <td>M</td> </tr> <tr> <td></td> <td>M</td> </tr> </table>	mm	inch	8	5/16	12	1/2	16	5/8				M		M		M
mm	inch																																			
20	3/4																																			
30	1-3/16																																			
40	1-9/16																																			
mm	inch																																			
9	5/16																																			
13	1/2																																			
17	11/16																																			
mm	inch																																			
8	5/16																																			
12	1/2																																			
16	5/8																																			
	M																																			
	M																																			
	M																																			
		<p>A RICHIESTA: GUIDE FUORI MISURA ON REQUEST: ALL THE OTHER SIZES</p>																																		
<p>GO 450</p>	<p>ADJUSTABLE TOP STITCH JOINING ATTACHMENT</p>	<p>GUIDA REGOLABILE PER ASSEMBLAGGIO</p>	<p>RABATTEUR REGLABLE POUR ASSEMBLAGE</p>	<p>GUIA REGULABLE PARA EL ENSAMBLAJE</p>																																
		 <table border="1" data-bbox="933 1355 1045 1456"> <tr> <th>mm</th> <th>inch</th> </tr> <tr> <td>8</td> <td>5/16</td> </tr> <tr> <td>8</td> <td>5/16</td> </tr> <tr> <td>8</td> <td>5/16</td> </tr> </table>	mm	inch	8	5/16	8	5/16	8	5/16	 <table border="1" data-bbox="1061 1355 1173 1456"> <tr> <th></th> <th></th> </tr> <tr> <td></td> <td>L</td> </tr> <tr> <td></td> <td>M</td> </tr> <tr> <td></td> <td>H</td> </tr> </table>				L		M		H																	
mm	inch																																			
8	5/16																																			
8	5/16																																			
8	5/16																																			
	L																																			
	M																																			
	H																																			
		<p>A RICHIESTA: GUIDE FUORI MISURA ON REQUEST: ALL THE OTHER SIZES</p>																																		

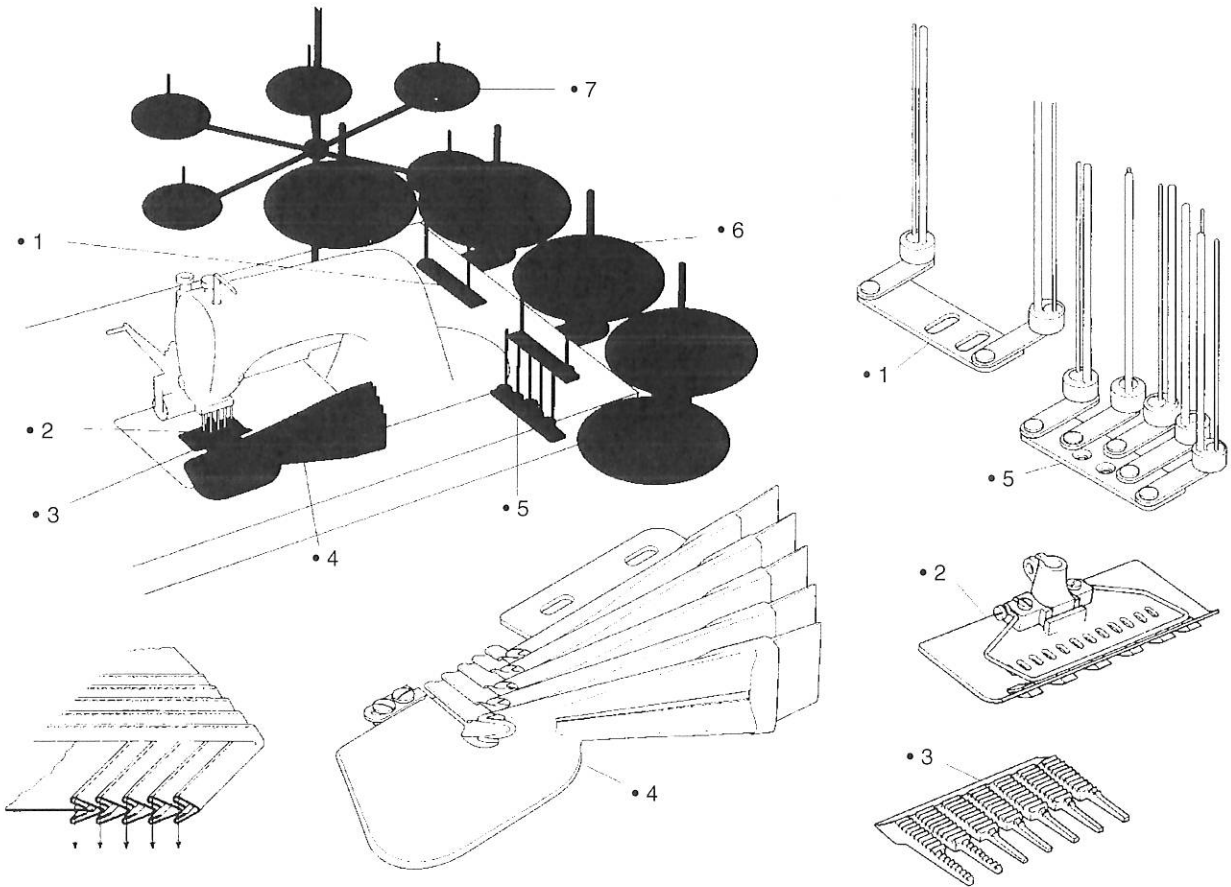
GO 460 SET

FIVE SPLIT
TUBE FOLDER
FOR 9-12
NEEDLES
MACHINES

GUIDA PER
L'APPLICAZIONE
DI 5 COLLARETTI
PER MACCHINE
9 E 12 AGHI

GUIDE CINQ
COLLERETTES
POUR MACHINES
9-12 AIGUILLES

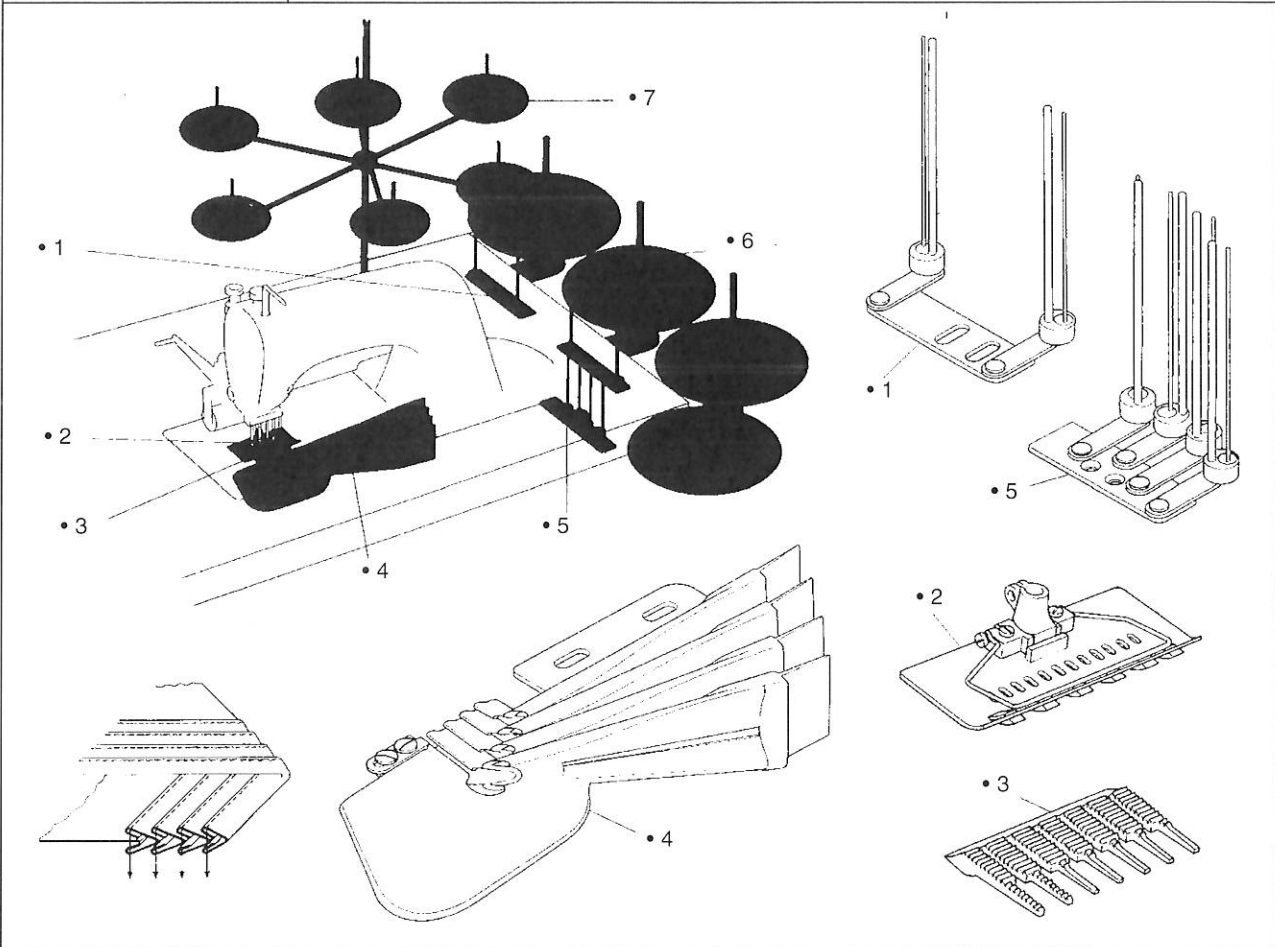
GUIA PARA
5 COLLARINES
PARA MAQUINAS
9 Y 12 AGUJAS



2

Pos.	RIMOLDI	RIMOLDI	RIMOLDI	UNION SPECIAL	UNION SPECIAL	UNION SPECIAL
•	GO 460/1 B SET	GO 460/2 B SET	GO 460/3 B SET	GO 460/1 A SET	GO 460/2 A SET	GO 460/3 A SET
1	CF 519	CF 519	CF 519	CF 519	CF 519	CF 519
2	P313372	P313382	P313372	US 54420 A 12/1	US 54420 A 9/1	US 54420 A 12/1
3	BM 313408/1	BM 313381/1	BM 313408/1	US 54205 A 12/1	US 54205 A 9/1	US 54205 A 12/1
4	GO 460/1	GO 460/2	GO 460/3	GO 460/1	GO 460/2	GO 460/3
5	CF 520	CF 520	CF 520	CF 520	CF 520	CF 520
6	CF 229	CF 229	CF 229	CF 229	CF 229	CF 229
7	CF 227	CF 227	CF 227	CF 227	CF 227	CF 227
	mm inch	mm inch	mm inch	mm inch	mm inch	mm inch
	4,8 3/16	35 1-3/8	28 1-1/8	2 5/64	2 5/64	2 5/64
	6,4 1/4	42 1-5/8	32 1-1/4	2 5/64	2 5/64	2 5/64
	9,6 3/8	50 2	38 1-1/2	2 5/64	2 5/64	2 5/64

GO 461 SET	4 SPLIT TUBE FOLDER FOR 9-12 NEEDLES MACHINES	GUIDA PER L'APPLICAZIONE DI 4 COLLARETTI PER MACCHINE 9 E 12 AGHI	GUIDE 4 COLLERETTES POUR MACHINES 9-12 AIGUILLES	GUIA PARA 4 COLLARINES PARA MAQUINAS 9 Y 12 AGUJAS
-------------------	---	---	---	---



Pos.	RIMOLDI	RIMOLDI	RIMOLDI	UNION SPECIAL	UNION SPECIAL	UNION SPECIAL
•	GO 461/1 B SET	GO 461/2 B SET	GO 461/3 B SET	GO 461/1 A SET	GO 461/2 A SET	GO 461/3 A SET
1	CF 519	CF 519	CF 519	CF 519	CF 519	CF 519
2	P313372	P313382	P313372	US 54420 A 12/1	US 54420 A 9/1	US 54420 A 12/1
3	BM 313408/1	BM 313381/1	BM 313408/1	US 54205 A 12/1	US 54205 A 9/1	US 54205 A 12/1
4	GO 461/1	GO 461/2	GO 461/3	GO 461/1	GO 461/2	GO 461/3
5	CF 520/1	CF 520/1	CF 520/1	CF 520/1	CF 520/1	CF 520/1
6	CF 229	CF 229	CF 229	CF 229	CF 229	CF 229
7	CF 227	CF 227	CF 227	CF 227	CF 227	CF 227
mm	inch	mm	inch	mm	inch	
4,8	3/16	35	1-3/8	28	1-1/8	
6,4	1/4	42	1-5/8	32	1-1/4	
9,6	3/8	50	2	38	1-1/2	

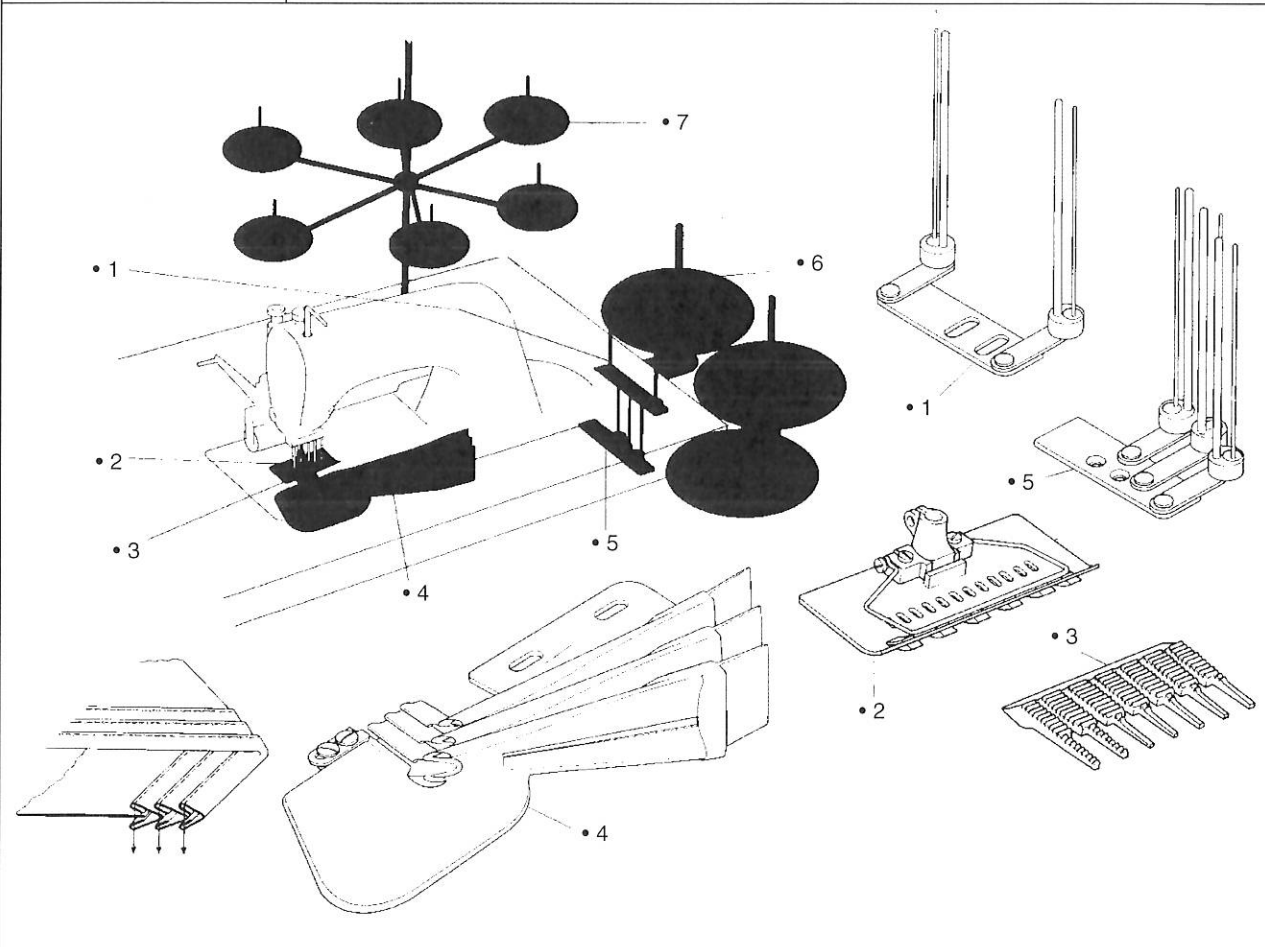
GO 462 SET

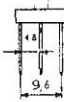
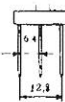
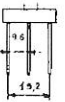


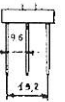



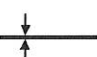
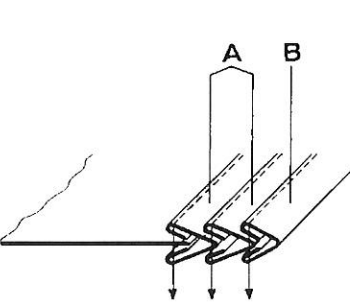
3 SPLIT
TUBE FOLDER
FOR 9-12
NEEDLES
MACHINES

GUIDA PER
L'APPLICAZIONE
DI 3 COLLARETTI
PER MACCHINE
9 E 12 AGHI

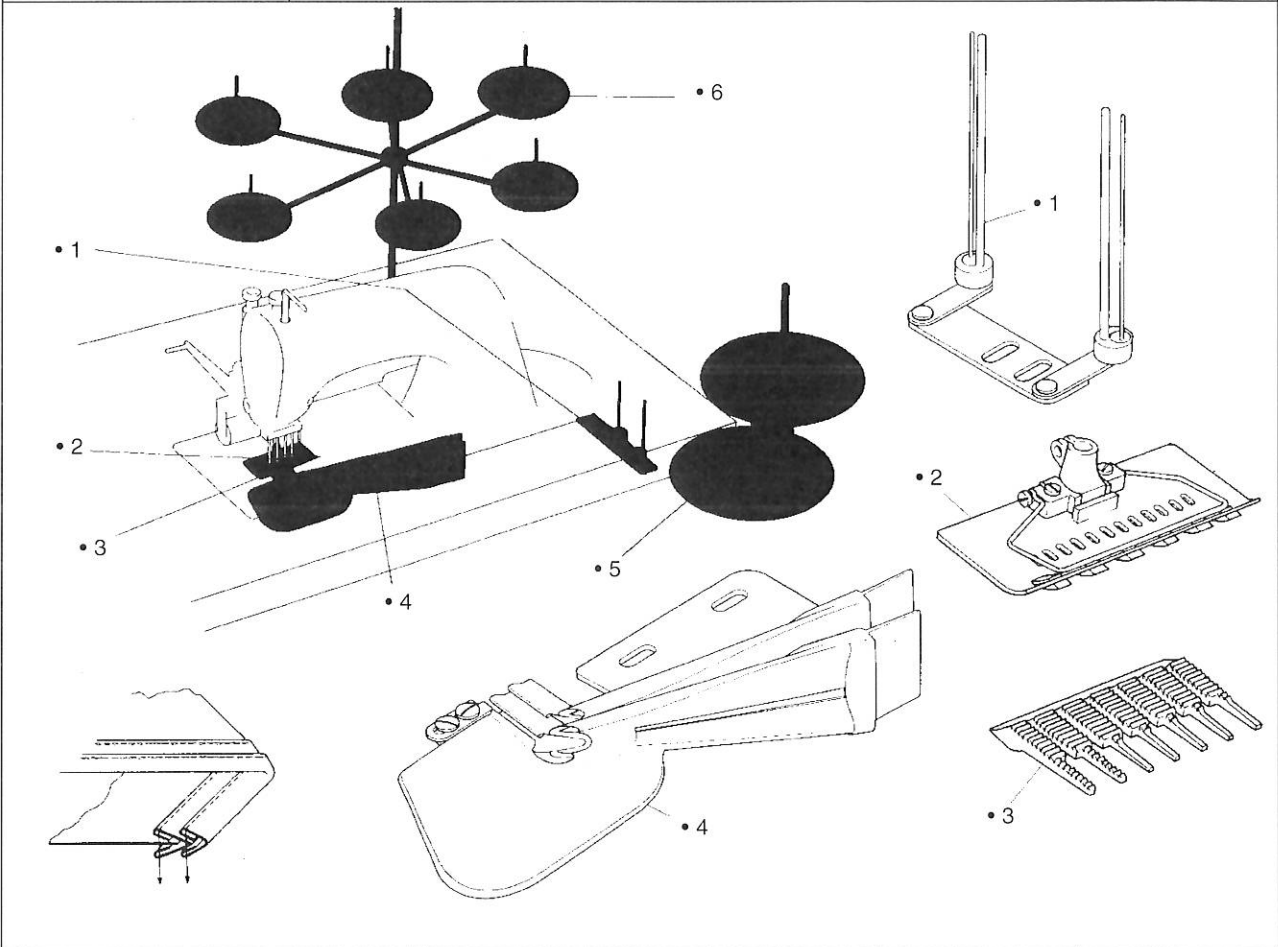
GUIDE 3
COLLERETTES
POUR MACHINES
9-12 AIGUILLES

GUIA PARA
3 COLLARINES
PARA MAQUINAS
9 Y 12 AGUJAS



Pos.	RIMOLDI	RIMOLDI	RIMOLDI	UNION SPECIAL	UNION SPECIAL	UNION SPECIAL
						
•	GO 462/1 B SET	GO 462/2 B SET	GO 462/3 B SET	GO 462/1 A SET	GO 462/2 A SET	GO 462/3 A SET
1	CF 519	CF 519	CF 519	CF 519	CF 519	CF 519
2	P313372	P313382	P313372	US 54420 A 12/1	US 54420 A 9/1	US 54420 A 12/1
3	BM 313408/1	BM 313381/1	BM 313408/1	US 54205 A 12/1	US 54205 A 9/1	US 54205 A 12/1
4	GO 462/1	GO 462/2	GO 462/3	GO 462/1	GO 462/2	GO 462/3
5	CF 520/2	CF 520/2	CF 520/2	CF 520/2	CF 520/2	CF 520/2
6	CF 229	CF 229	CF 229	CF 229	CF 229	CF 229
7	CF 227	CF 227	CF 227	CF 227	CF 227	CF 227
						
	mm inch	mm inch	mm inch	mm inch	mm inch	
	4,8 3/16	35 1-3/8	28 1-1/8	2 5/64	2 5/64	
	6,4 1/4	42 1-5/8	32 1-1/4	2 5/64	2 5/64	
	9,6 3/8	50 2	38 1-1/2	2 5/64	2 5/64	

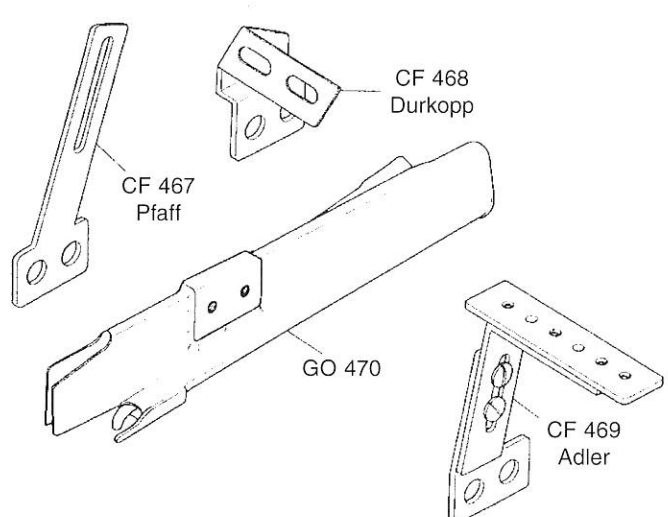
GO 463 SET	2 SPLIT TUBE FOLDER FOR 9-12 NEEDLES MACHINES	GUIDA PER L'APPLICAZIONE DI 3 COLLARETTI PER MACCHINE 9 E 12 AGHI	GUIDE 2 COLLERETTES POUR MACHINES 9-12 AIGUILLES	GUIA PARA 2 COLLARINAS PARA MAQUINAS 9 Y 12 AGUJAS
-------------------	---	---	---	---




Pos.	RIMOLDI	RIMOLDI	RIMOLDI	UNION SPECIAL	UNION SPECIAL	UNION SPECIAL
•	GO 463/1 B SET	GO 463/2 B SET	GO 463/3 B SET	GO 463/1 A SET	GO 463/2 A SET	GO 463/3 A SET
1	CF 519	CF 519	CF 519	CF 519	CF 519	CF 519
2	P313372	P313382	P313372	US 54420 A 12/1	US 54420 A 9/1	US 54420 A 12/1
3	BM 313408/1	BM 313381/1	BM 313408/1	US 54205 A 12/1	US 54205 A 9/1	US 54205 A 12/1
4	GO 463/1	GO 463/2	GO 463/3	GO 463/1	GO 463/2	GO 463/3
5	CF 229	CF 229	CF 229	CF 229	CF 229	CF 229
6	CF 227	CF 227	CF 227	CF 227	CF 227	CF 227

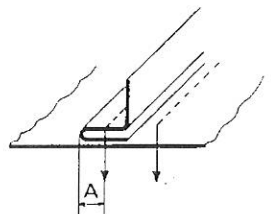
		A		B						A B	
mm	inch	mm	inch	mm	inch	mm	inch	mm	inch		
4,8	3/16	35	1-3/8	28	1-1/8	2	5/64	2	5/64		
6,4	1/4	42	1-5/8	32	1-1/4	2	5/64	2	5/64		
9,6	3/8	50	2	38	1-1/2	2	5/64	2	5/64		

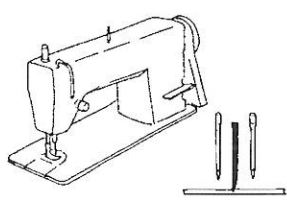
GO 470/1= GO 470+CF 467 GO 470/2= GO 470+CF 468 GO 470/3= GO 470+CF 469	SINGLE-PIPED POCKET FOLDER	GUIDA PER FILETTI TASCHE A UN PROFILO	GUIDE POUR POCHE SIMPLE PASSEPOIL	GUIA PARA BOLSILLOS DE UN SOLO VIVO
---	-------------------------------	---	--------------------------------------	--





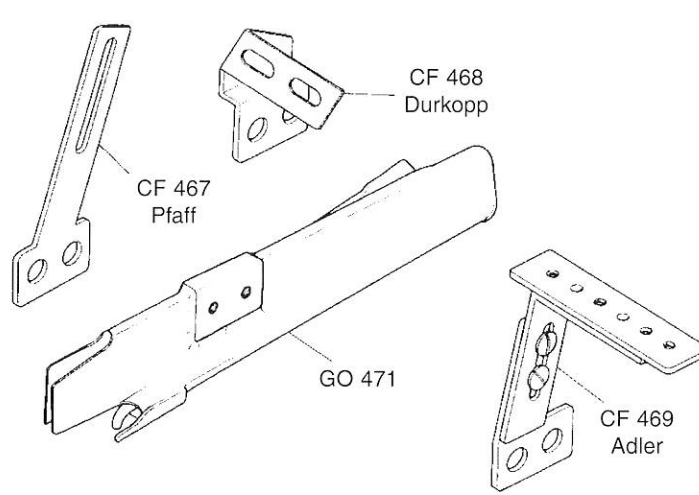
mm		inch		mm		inch		M
10	13/32	58	2-1/4	10	5/16			
12	15/32	62	2-7/16	12	5/16	M		
14	9/16			14	9/16	M		
16	5/8			16	5/8	M		






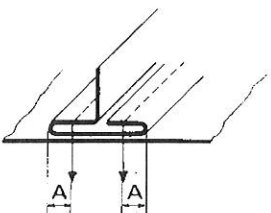
**A RICHIESTA:
GUIDE FUORI MISURA
ON REQUEST:
ALL THE OTHER SIZES**

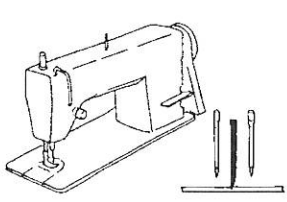
GO 471/1= GO 471+CF 467 GO 471/2= GO 471+CF 468 GO 471/3= GO 471+CF 469	DOUBLE-PIPED POCKET FOLDER	GUIDA PER FILETTI TASCHE A DUE PROFILI	GUIDE POUR POCHE DOUBLE PASSEPOIL	GUIA PARA BOLSILLOS DE DOS VIVOS
---	-------------------------------	--	--	--





mm		inch		mm		inch		M
10	13/32	72	2-7/8	5	3/16			
12	15/32	76	3	6	1/4	M		
14	9/16			7	9/32	M		
16	5/8			8	5/16	M		





**A RICHIESTA:
GUIDE FUORI MISURA
ON REQUEST:
ALL THE OTHER SIZES**

GO 472/1 = GO 472+CF 467	ADJUSTABLE SINGLE-PIPED POCKET WITH ADJUSTABLE FLAP	GUIDA PER FILETTI TASCHE A UN PROFILO CON PATELETTA REGOLABILE	GUIDE POUR POCHE SIMPLE PASSEPOIL AVEC RABAT REGLABLE	GUIA PARA BOLSILLOS DE UN SOLO VIVO CON CARTERA REGULABLE
--------------------------	---	--	---	---

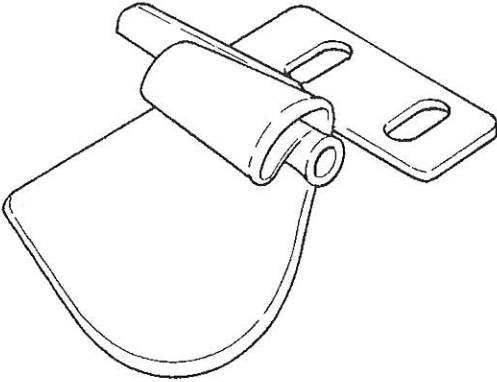


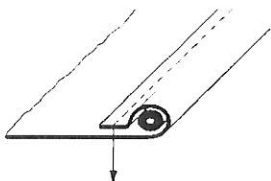
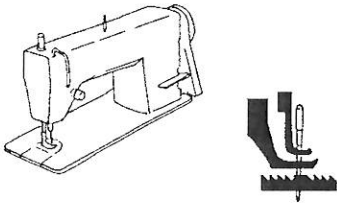
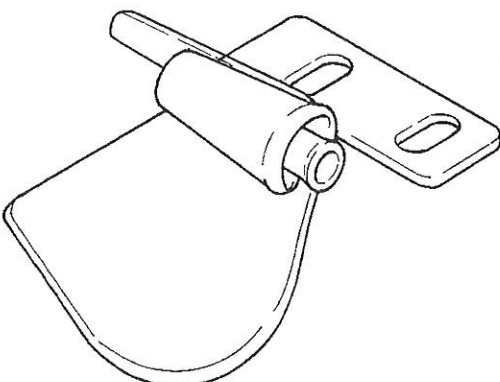


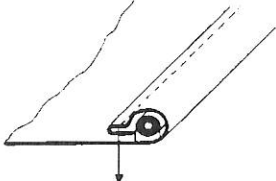
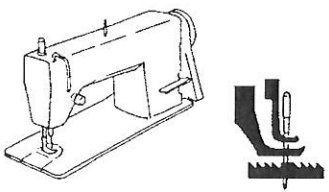
			"A"	
	mm inch	mm inch	mm inch	M
	10 13/32	adjustable from 58 to 118mm	10 5/16	
	12 15/32	adjustable from 58 to 118mm from 2-1/4 to 4-13/16 inch	12 5/16	M
14 9/16		14 9/16	M	
16 5/8		16 5/8	M	

		<p>A RICHIESTA: GUIDE FUORI MISURA ON REQUEST: ALL THE OTHER SIZES</p>
--	--	---

GO 475	ATTACHMENT FOR CONTINUOUS APPLICATION OF ZIPPERS	GUIDA PER APPLICAZIONE CERNIERE IN CONTINUO	GUIDE POUR L'APPLICATION EN CONTINU DES FERMETURES ÉCLAIRES	GUIA PARA LA APLICACIÓN CONTINUA DE LA CREMALLERA
--------	--	---	---	---

	"A"			
	Adjustable from 20 to 35 mm Adjustable from 3/4 to 1-3/8 inch	M		

		<p>COSTRUITO SU RICHIESTA MANUFACTURED ON REQUEST FABRIQUE SUR COMMANDE SE COSTRUYE SOBRE DEMANDA</p>
--	--	--

<p>GO 480</p>	<p>HEMMER WITH PLASTIC CORD FOR AWNINGS</p>	<p>ORLATORE CON TUBOLARE IN PLASTICA PER TENDE DA SOLE</p>	<p>GUIDE OURLEUR AVEC CORDON EN PLASTIQUE POUR STORES</p>	<p>ORILLADOR CON CORDÓN EN PLASTICA PARA TOLDOS</p>
				
<p>mm 7 inch 9/32</p>		<p>H</p>		
		<p>A RICHIESTA: GUIDE FUORI MISURA ON REQUEST: ALL THE OTHER SIZES</p>		
<p>GO 482</p>	<p>HEMMER WITH PLASTIC CORD FOR AWNINGS</p>	<p>ORLATORE CON TUBOLARE IN PLASTICA PER TENDE DA SOLE</p>	<p>GUIDE OURLEUR AVEC CORDON EN PLASTIQUE POUR STORES</p>	<p>ORILLADOR CON CORDÓN EN PLASTICA PARA TOLDOS</p>
				
<p>mm 7 inch 9/32</p>		<p>H</p>		
		<p>A RICHIESTA: GUIDE FUORI MISURA ON REQUEST: ALL THE OTHER SIZES</p>		

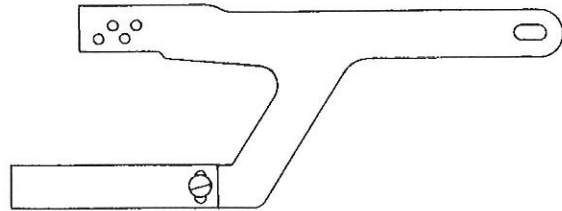
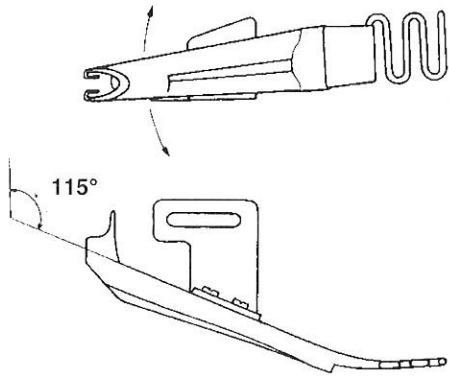
DIFFERENCES IN
SUGGESTER BINDERS
FOR WALKING
FOOT MACHINES

DIFFERENZA FRA
I BORDATORI PROPOSTI
PER MACCHINE A
TRIPLICE TRASPORTO

DIFFERENCES ENTRE
LES BORDEURS
PROPOSES POUR MACHINES
A TRIPLE ENTRAINEMENT

DIFERENTES
GUIADORES PARA
MAQUINAS DE TRIPLE
TRANSPORTE

GO 915 - GO 916 - GO 917



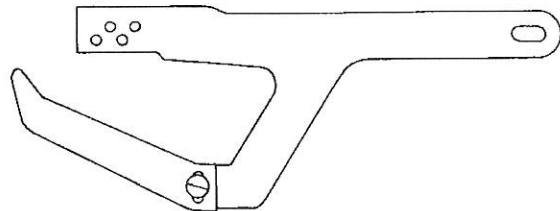
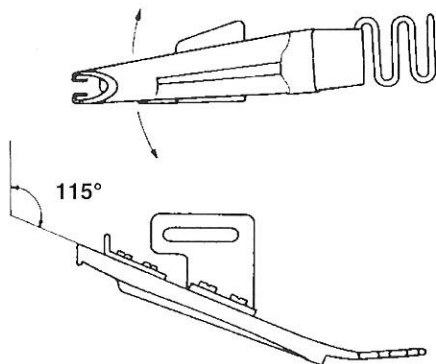
For synthetic
stiff and
thick
ribbons

Per nastri
sintetici,
rigidi e
pesanti

Pour rubans
synthetiques,
rigides et
epais

Para tiras
sinteticas
rigidas y
pesadas

GO 910 - GO 911 - GO 912



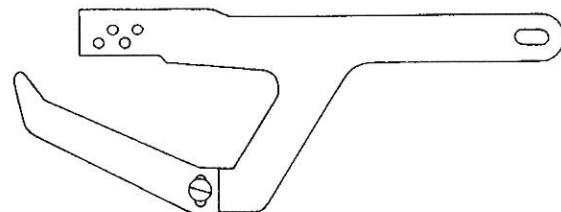
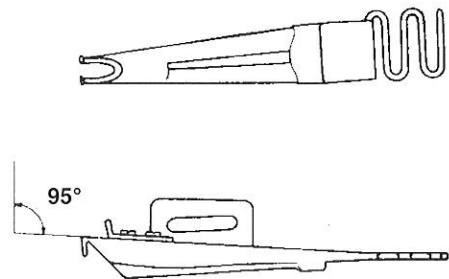
For leather
or similar
ribbons

Per nastri
in pelle
o finta pelle

Pour rubans
en cuir ou
similaires

Para tiras
en piel
o skay

GO 920 - GO 922



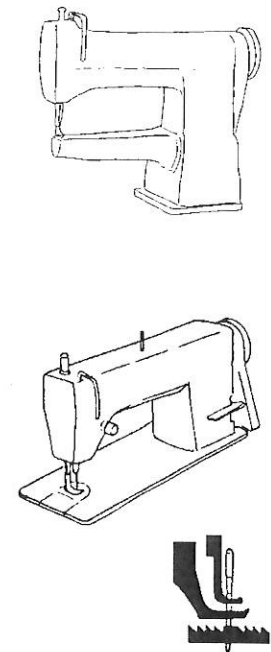
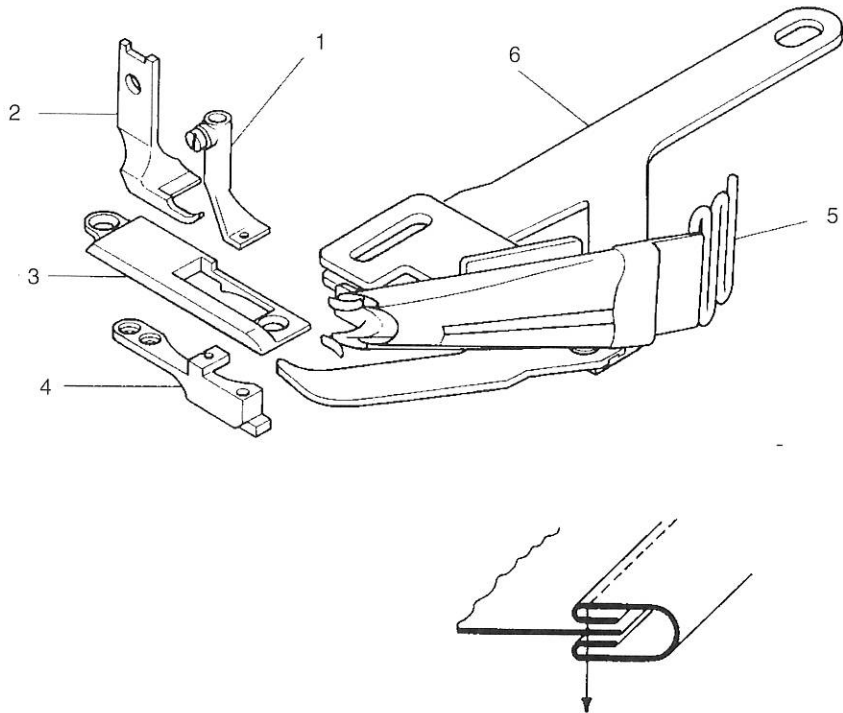
For soft
leather and
other cloth
ribbons

Per nastri
in pelle
morbidi o
fettucce
varie





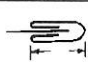

Pour rubans
ou cuir
doux

Para tiras
en piel
blanda o tiras
varias

GO 910	RIGHT ANGLE	BORDATORE	BORDEUR DOUBLE	GUIADOR DOBLE
	BINDER	PER MACCHINE	REMPII POUR	PARA MAQUINAS
	FOR WALKING	A TRIPLICE	MACHINES A	DE TRIPLE
	FOOT MACHINES	TRASPORTO	TRIPLE ENTRAINEMENT	TRANSPORTE

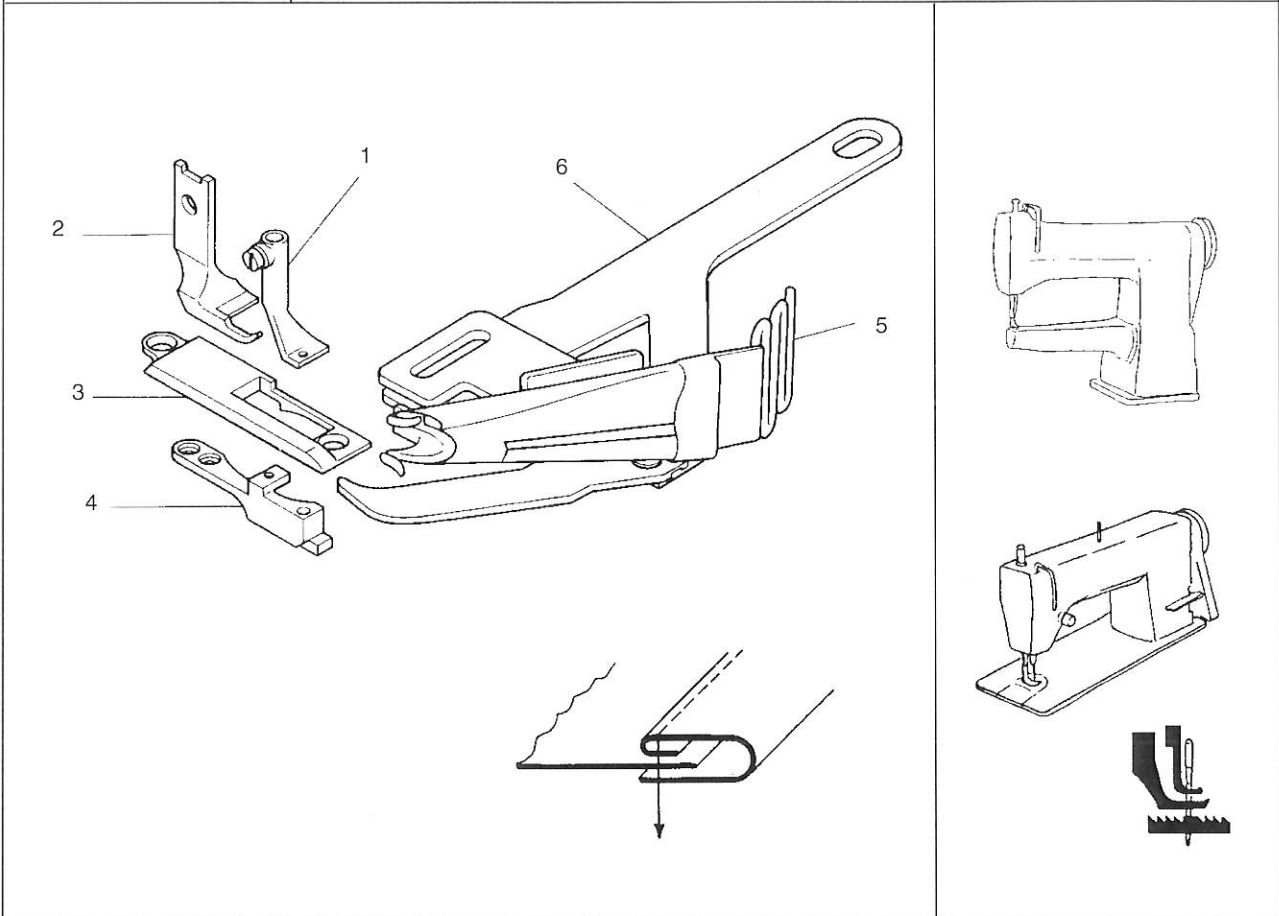


Pos.	Code No. PFAFF 335	Code No. PFAFF 145-245-1245	Code No. ADLER 67-167-267	Code No. ADLER 467	Code No. NECCHI 840	Code No. NECCHI 958	Code No. NECCHI 902
1	PF 42819	PF 42819	ADL 067220803	ADL 067220803	PF 42819	PF 42819	PF 42819
2	PF 44227	PF 44227	ADL 067220810	ADL 367220503	PF 44227	PF 44227	PF 44227
3	PF 46052	PF 45592	ADL 067200390	ADL 367200220		N 380032	N 380028
4	PF 46051	PF 45591	ADL 067210300	ADL 367210160		N 380033	N 380029
5	GO 910	GO 910	GO 910	GO 910	GO 910	GO 910	GO 910
6	PF 40895	GO 913	GO 914A	GO 914B	N 109196	GO 913A	GO 913A

											
mm	inch	mm	inch	mm	inch	mm	inch	mm	inch	mm	inch
20	3/4	5	3/16	4	5/32	35	1-3/8	11	7/16	5	3/16
22	7/8	6	1/4	4	5/32	35	1-3/8	10,5	13/32	7	9/32
22	7/8	6	1/4	5	3/16	40	1-9/16	12,5	1/2	5	3/16
25	1	7	9/32	4	5/32	40	1-9/16	12	15/32	8	5/16
25	1	6,5	1/4	5	3/16	45	1-3/4	14	9/16	5	3/16
25	1	6,5	1/4	6	15/64	45	1-3/4	14	9/16	8	5/16
28	1-1/8	8	5/16	4	5/32	50	2	16	5/8	5	3/16
28	1-1/8	8	5/16	5	3/16	50	2	16	5/8	8	5/16
28	1-1/8	8	5/16	6	1/4						
30	1-3/16	9	23/64	4	5/32						
30	1-3/16	8,5	11/32	5	3/16						
30	1-3/16	8,5	11/32	8	3/16						
32	1-1/4	9	11/32	4	5/32						
32	1-1/4	9	11/32	5	3/16						
32	1-1/4	9	11/32	6	1/4						

**A RICHIESTA:
GUIDE FUORI MISURA
ON REQUEST:
ALL THE OTHER SIZES**

GO 911	RIGHT ANGLE	BORDATORE	BORDEUR DOUBLE	GUIADOR DOBLE
	BINDER	PER MACCHINE	REMPII POUR	PARA MAQUINAS
	FOR WALKING	A TRIPLICE	MACHINES A	DE TRIPLE
	FOOT MACHINES	TRASPORTO	TRIPLE ENTRAÎNEMENT	TRANSPORTE

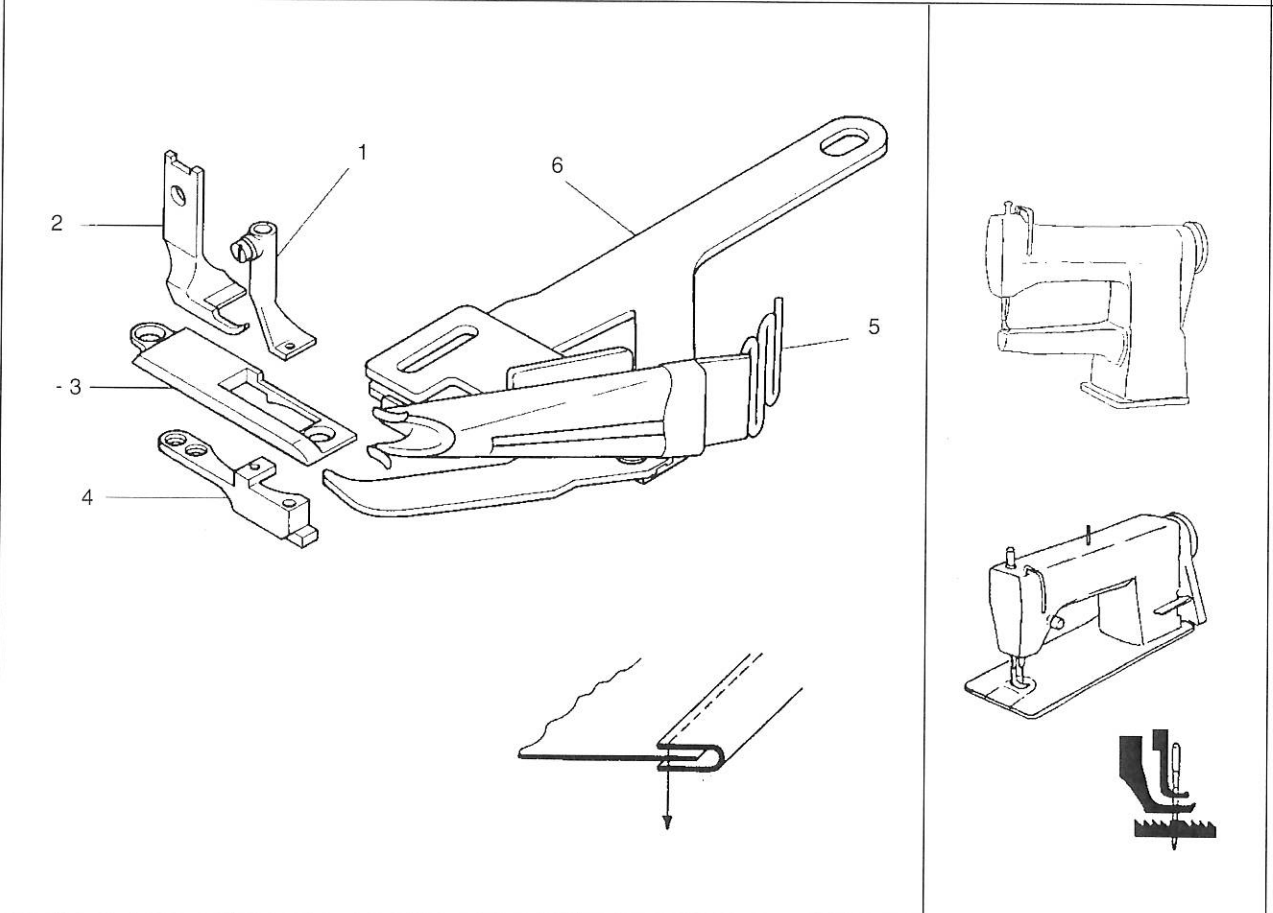


Pos.	Code No. PFAFF 335	Code No. PFAFF 145-245-1245	Code No. ADLER 67-167-267	Code No. ADLER 467	Code No. NECCHI 840	Code No. NECCHI 958	Code No. NECCHI 902
1	PF 42819	PF 42819	ADL 067220803	ADL 067220803	PF 42819	PF 42819	PF 42819
2	PF 44227	PF 44227	ADL 067220810	ADL 367220503	PF 44227	PF 44227	PF 44227
3	PF 46052	PF 45592	ADL 067200390	ADL 367200220		N 380032	N 380028
4	PF 46051	PF 45591	ADL 067210300	ADL 367210160		N 380033	N 380029
5	GO 911	GO 911	GO 911	GO 911	GO 911	GO 911	GO 911
6	PF 40895	GO 913	GO 914A	GO 914B	N 109196	GO 913A	GO 913A

mm	inch	mm	inch	mm	inch	mm	inch	mm	inch	mm	inch
18	11/16	6	1/4	4	5/32	28	1-1/8	10	3/8	6	1/4
18	11/16	6	1/4	5	3/16	30	1-3/16	11	7/16	4	5/32
20	3/4	7	9/32	4	5/32	30	1-3/16	11	7/16	6	15/64
20	3/4	7	9/32	5	3/16	30	1-3/16	11	7/16	8	5/16
20	3/4	7	9/32	6	15/64						
22	7/8	8	5/16	4	5/32						
22	7/8	8	5/16	5	3/16						
22	7/8	8	5/16	6	15/64						
25	1	9	23/64	4	5/32						
25	1	9	23/64	5	3/16						
25	1	9	23/64	6	15/64						
28	1-1/8	10	3/8	4	5/32						
28	1-1/8	10	3/8	5	3/16						

**A RICHIESTA:
GUIDE FUORI MISURA
ON REQUEST:
ALL THE OTHER SIZES**

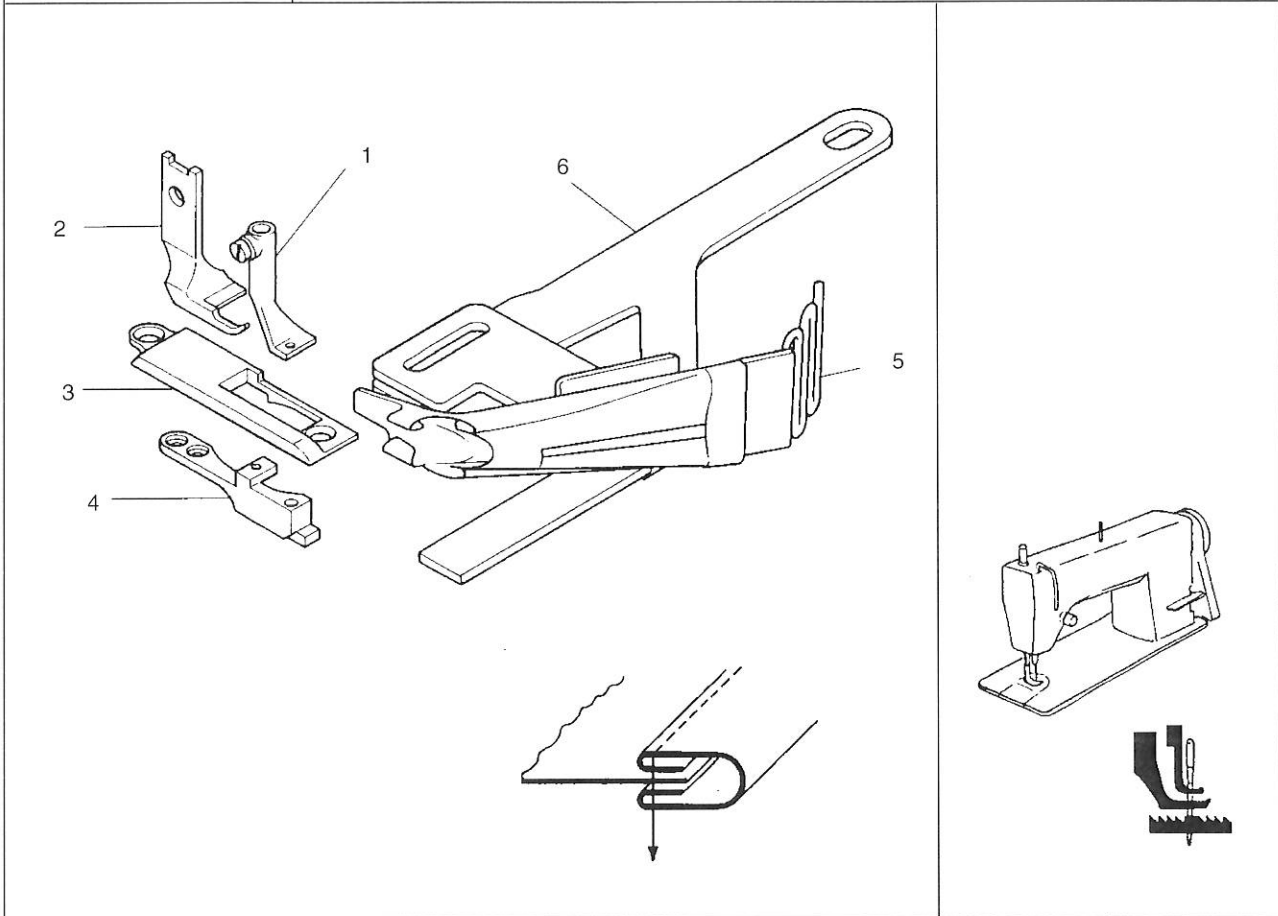
GO 912	RIGHT ANGLE	BORDATORE	BORDEUR DOUBLE	GUIADOR DOBLE
	BINDER	PER MACCHINE	REMPII POUR	PARA MAQUINAS
	FOR WALKING	A TRIPLICE	MACHINES A	DE TRIPLE
	FOOT MACHINES	TRASPORTO	TRIPLE ENTRAINEMENT	TRANSPORTE



Pos.	Code No. PFAFF 335	Code No. PFAFF 145-245-1245	Code No. ADLER 67-167-267	Code No. ADLER 467	Code No. NECCHI 840	Code No. NECCHI 958	Code No. NECCHI 902
1	PF 42819	PF 42819	ADL 067220803	ADL 067220803	PF 42819	PF 42819	PF 42819
2	PF 44227	PF 44227	ADL 067220810	ADL 367220503	PF 44227	PF 44227	PF 44227
3	PF 46052	PF 45592	ADL 067200390	ADL 367200220		N 380032	N 380028
4	PF 46051	PF 45591	ADL 067210300	ADL 367210160		N 380033	N 380029
5	GO 912	GO 912	GO 912	GO 912	GO 912	GO 912	GO 912
6	PF 40895	GO 913	GO 914A	GO 914B	N 109196	GO 913A	GO 913A

mm	inch	mm	inch	mm	inch	mm	inch	mm	inch	mm	inch
12	1/2	6	1/4	4	5/32	22	7/8	11	7/6	4	5/32
12	1/2	6	1/4	5	3/16	22	7/8	11	7/16	5	3/16
14	9/16	7	9/32	4	5/32	22	7/8	11	7/16	6	1/4
14	9/16	7	9/32	5	3/16	25	1	12	15/32	4	5/32
16	5/8	8	5/16	4	5/32	25	1	12	15/32	6	15/64
16	5/8	8	5/16	5	3/16	25	1	12	15/32	8	5/16
16	5/8	8	5/16	6	15/64	28	1-1/8	14	9/16	4	5/32
18	23/32	9	23/64	4	5/32	28	1-1/8	14	9/16	5	3/16
18	23/32	9	23/64	5	3/16	28	1-1/8	14	9/16	6	1/4
18	23/32	9	23/64	6	15/64	28	1-1/8	14	9/16	8	5/16
20	3/4	10	3/8	4	5/32	30	1-3/16	15	19/32	5	3/16
20	3/4	10	3/8	5	3/16	30	1-3/16	15	19/32	8	5/16
20	3/4	10	3/8	6	1/4	A RICHIESTA: GUIDE FUORI MISURA ON REQUEST: ALL THE OTHER SIZES					
20	3/4	10	3/8	7	9/32						

GO 915	RIGHT ANGLE	BORDATORE	BORDEUR DOUBLE	GUIADOR DOBLE
	BINDER	PER MACCHINE	REMPII POUR	PARA MAQUINAS
	FOR WALKING	A TRIPLICE	MACHINES A	DE TRIPLE
	FOOT MACHINES	TRASPORTO	TRIPLE ENTRAINEMENT	TRANSPORTE



Pos.	Code No. PFAFF 145-245-1245	Code No. ADLER 67-167-267	Code No. ADLER 467	Code No. NECCHI 958	Code No. NECCHI 902
1	PF 42819	ADL 067220803	ADL 067220803	PF 42819	PF 42819
2	PF 44227	ADL 067220810	ADL 367220503	PF 44227	PF 44227
3	PF 45592	ADL 067200390	ADL 367200220	N 380032	N 380028
4	PF 45591	ADL 067210300	ADL 367210160	N 380033	N 380029
5	GO 915	GO 915	GO 915	GO 915	GO 915
6	GO 913	GO 914A	GO 914B	GO 913A	GO 913A

mm	inch	mm	inch	mm	inch			
20	3/4	5	3/16	4	5/32			
25	1	7	9/32	4	5/32			
25	1	6,5	1/4	5	3/16			
25	1	6,5	1/4	6	15/64			
30	1-3/16	9	23/64	4	5/32			
30	1-3/16	8,5	11/32	5	3/16			
30	1-3/16	8,5	11/32	6	15/64			
35	1-3/8	11	7/16	5	3/16			
35	1-3/8	10,5	13/32	7	9/32			
40	1-9/16	12,5	1/2	5	3/16			
40	1-9/16	12	15/32	8	5/16			

**A RICHIESTA:
GUIDE FUORI MISURA
ON REQUEST:
ALL THE OTHER SIZES**

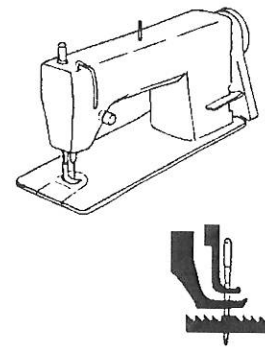
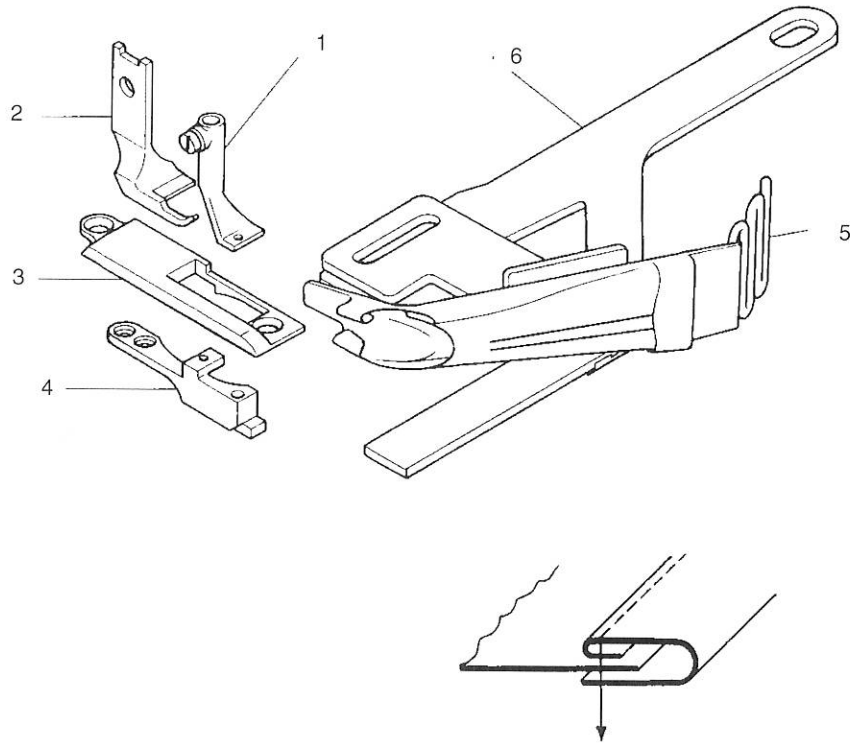
GO 916

RIGHT ANGLE
BINDER
FOR WALKING
FOOT MACHINES

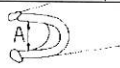
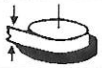
BORDATORE
PER MACCHINE
A TRIPLICE
TRASPORTO

BORDEUR DOUBLE
REPLI POUR
MACHINES A
TRIPLE ENTRAINEMENT

GUIADOR DOBLE
PARA MAQUINAS
DE TRIPLE
TRANSPORTE



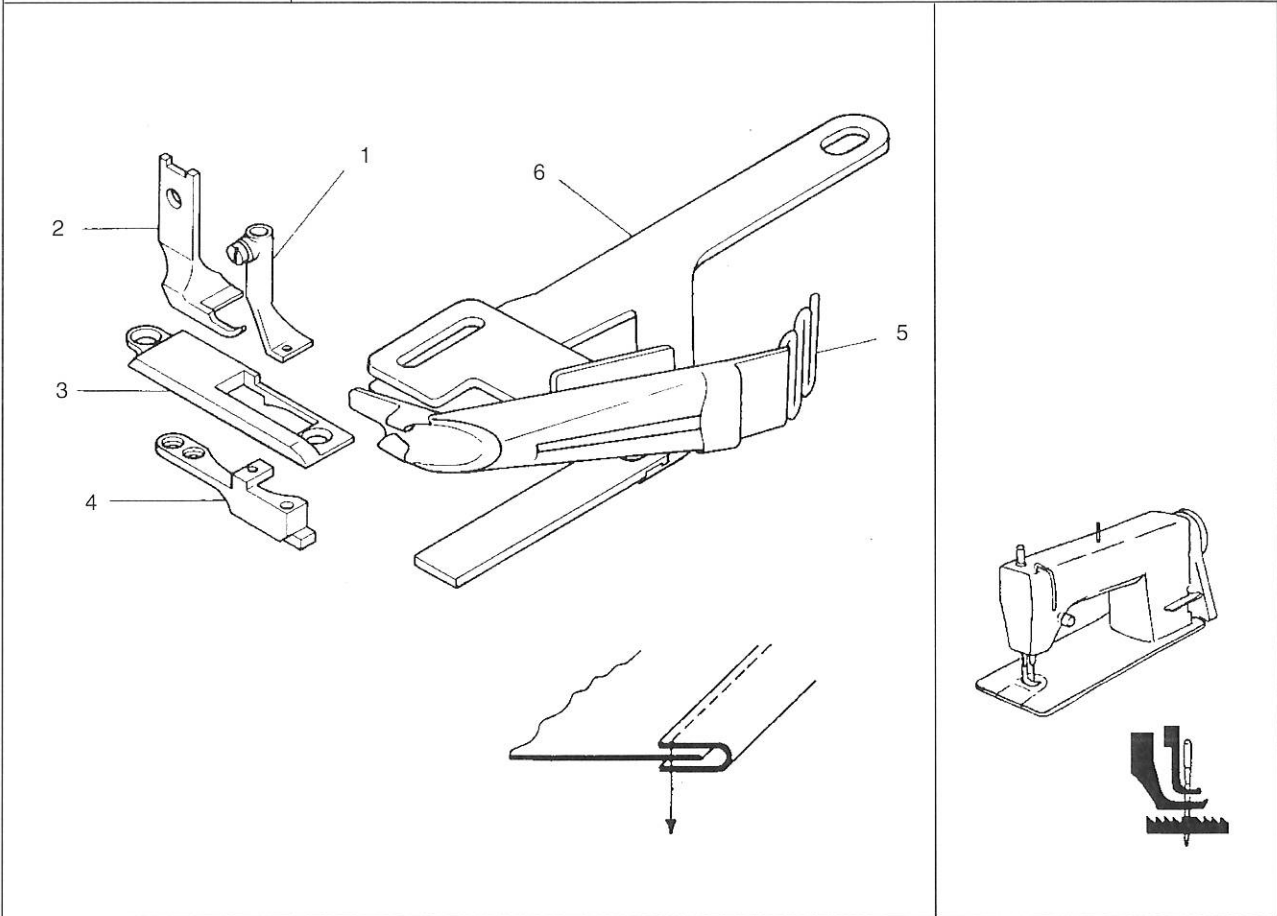
Pos.	Code No. PFAFF 145-245-1245	Code No. ADLER 67-167-267	Code No. ADLER 467	Code No. NECCHI 958	Code No. NECCHI 902
1	PF 42819	ADL 067220803	ADL 067220803	PF 42819	PF 42819
2	PF 44227	ADL 067220810	ADL 367220503	PF 44227	PF 44227
3	PF 45592	ADL 067200390	ADL 367200220	N 380032	N 380028
4	PF 45591	ADL 067210300	ADL 367210160	N 380033	N 380029
5	GO 916	GO 916	GO 916	GO 916	GO 916
6	GO 913	GO 914A	GO 914B	GO 913A	GO 913A



mm	inch	mm	inch	mm	inch
20	3/4	7	9/32	4	5/32
20	3/4	7	9/32	5	3/16
20	3/4	7	9/32	6	15/64
25	1	9	23/64	4	5/32
25	1	9	23/64	5	3/16
25	1	9	23/64	6	15/64
30	1-3/16	11	7/16	4	5/32
30	1-3/16	11	7/16	6	15/64
30	1-3/16	11	7/16	8	5/16

**A RICHIESTA:
GUIDE FUORI MISURA
ON REQUEST:
ALL THE OTHER SIZES**

GO 917	RIGHT ANGLE	BORDATORE	BORDEUR DOUBLE	GUIADOR DOBLE
	BINDER	PER MACCHINE	REMPII POUR	PARA MAQUINAS
	FOR WALKING	A TRIPLICE	MACHINES A	DE TRIPLE
	FOOT MACHINES	TRASPORTO	TRIPLE ENTRAINEMENT	TRANSPORTE



Pos.	Code No. PFAFF 145-245-1245	Code No. ADLER 67-167-267	Code No. ADLER 467	Code No. NECCHI 958	Code No. NECCHI 902		
1	PF 42819	ADL 067220803	ADL 067220803	PF 42819	PF 42819		
2	PF 44227	ADL 067220810	ADL 367220503	PF 44227	PF 44227		
3	PF 45592	ADL 067200390	ADL 367200220	N 380032	N 380028		
4	PF 45591	ADL 067210300	ADL 367210160	N 380033	N 380029		
5	GO 917	GO 917	GO 917	GO 917	GO 917		
6	GO 913	GO 914A	GO 914B	GO 913A	GO 913A		

mm	inch	mm	inch	mm	inch			
14	9/16	7	9/32	4	5/32			
14	9/16	7	9/32	5	3/16			
16	5/8	8	5/16	4	5/32			
16	5/8	8	5/16	5	3/16			
16	5/8	8	5/16	6	15/64			
18	23/32	9	23/64	4	5/32			
18	23/32	9	23/64	5	3/16			
18	23/32	9	23/64	6	15/64			
20	3/4	10	3/8	4	5/32			
20	3/4	10	3/8	5	3/16			
20	3/4	10	3/8	7	9/32			
25	1	12	15/32	4	5/32			
25	1	12	15/32	6	15/64			
25	1	12	15/32	8	5/16			

**A RICHIESTA:
GUIDE FUORI MISURA
ON REQUEST:
ALL THE OTHER SIZES**

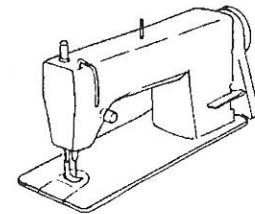
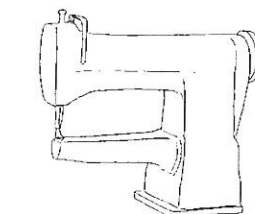
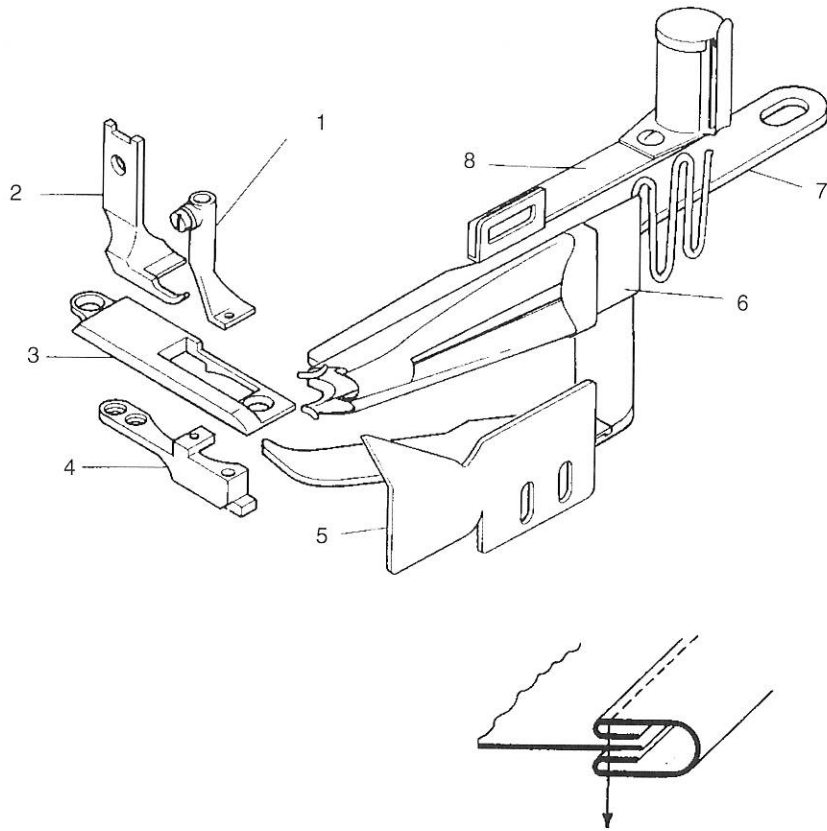
GO 920

RIGHT ANGLE
BINDER
FOR WALKING
FOOT MACHINES

BORDATORE
PER MACCHINE
A TRIPLICE
TRASPORTO

BORDEUR DOUBLE
REPLI POUR
MACHINES A
TRIPLE ENTRAINEMENT

GUIADOR DOBLE
PARA MAQUINAS
DE TRIPLE
TRANSPORTE



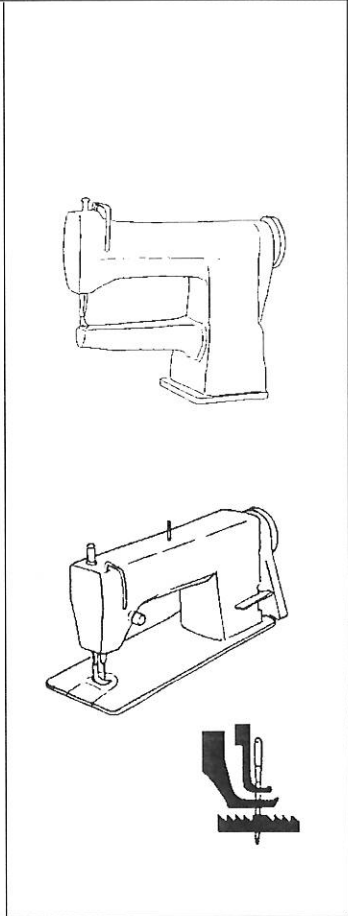
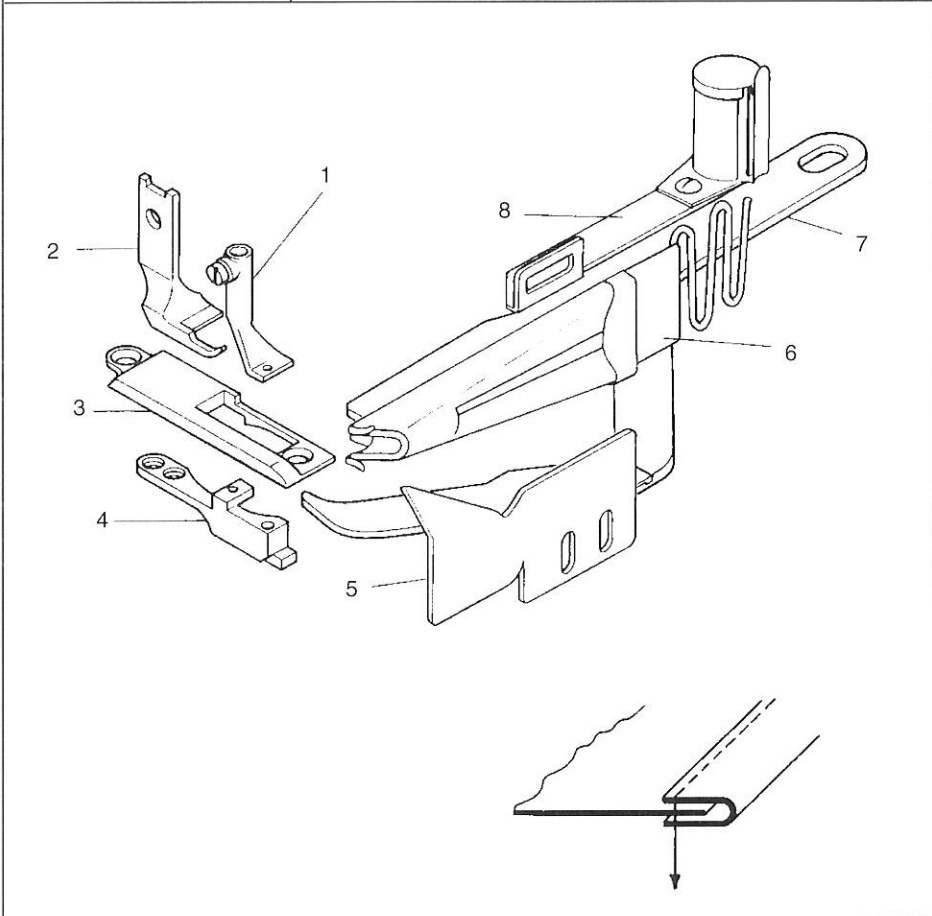
2

Pos.	Code No. PFAFF 335	Code No. PFAFF 145-245-1245	Code No. ADLER 67-167-267	Code No. ADLER 467	Code No. NECCHI 840	Code No. NECCHI 958	Code No. NECCHI 902
1	PF 42819	PF 42819	ADL 067220803	ADL 067220803	PF 42819	PF 42819	PF 42819
2	PF 44227	PF 44227	ADL 067220810	ADL 367220503	PF 44227	PF 44227	PF 44227
3	PF 46052	PF 45592	ADL 067200390	ADL 367200220		N 380032	N 380028
4	PF 46051	PF 45591	ADL 067210300	ADL 367210160		N 380033	N 380029
5	GO 923				GO 923		
6	GO 920	GO 920	GO 920	GO 920	GO 920	GO 920	GO 920
7	PF 40895	GO 913	GO 914A	GO 914B	N 109196	GO 913A	GO 913A
8	GO 921	GO 921	GO 921	GO 921	GO 921	GO 921	GO 921


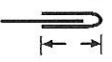


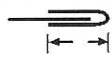

mm	inch	mm	inch	mm	inch	mm	inch	mm	inch	mm	inch
20	3/4	5	3/16	4	5/32	35	1-3/8	11	7/16	7	9/32
20	3/4	5	3/16	6	1/4	40	1-9/16	12	1/2	5	3/16
22	7/8	6	1/4	4	5/32	40	1-9/16	12	1/2	8	5/16
22	7/8	6	1/4	5	3/16	45	1-3/4	14	9/16	5	3/16
25	1	7	9/32	4	5/32	45	1-3/4	14	9/16	8	5/16
25	1	7	9/32	5	3/16						
25	1	7	9/32	6	1/4						
28	1-1/8	8	5/16	4	5/32						
28	1-1/8	8	5/16	6	1/4						
30	1-3/16	9	11/32	4	5/32						
30	1-3/16	9	11/32	6	1/4						
35	1-3/8	11	7/16	5	3/16						

**A RICHIESTA:
GUIDE FUORI MISURA
ON REQUEST:
ALL THE OTHER SIZES**

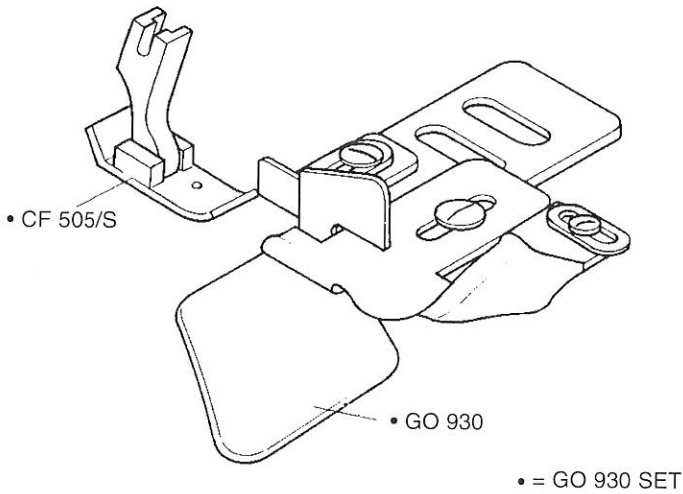

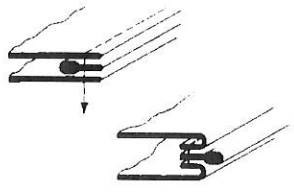
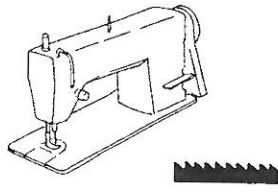
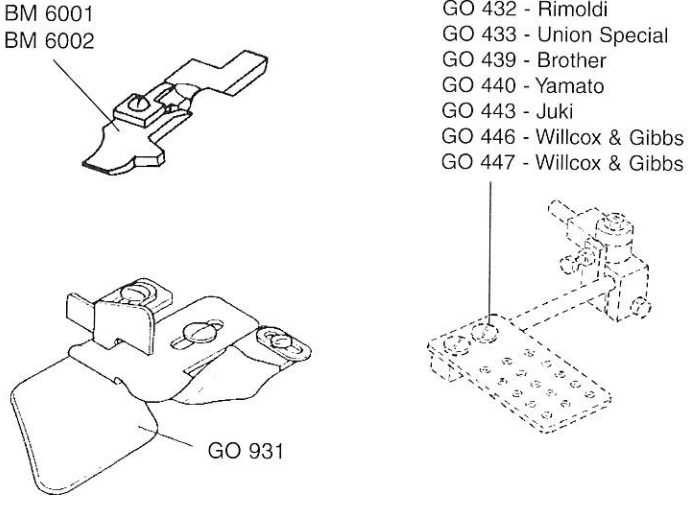

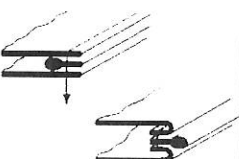
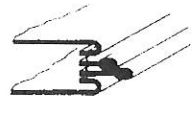
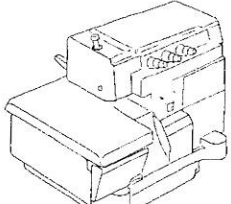
GO 922	RIGHT ANGLE	BORDATORE	BORDEUR DOUBLE	GUIADOR DOBLE
	BINDER	PER MACCHINE	REMPLI POUR	PARA MAQUINAS
	FOR WALKING	A TRIPLICE	MACHINES A	DE TRIPLE
	FOOT MACHINES	TRASPORTO	TRIPLE ENTRAINEMENT	TRANSPORTE

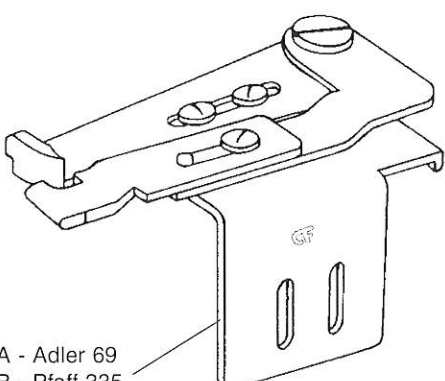

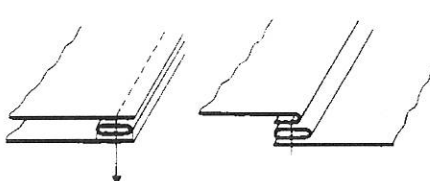



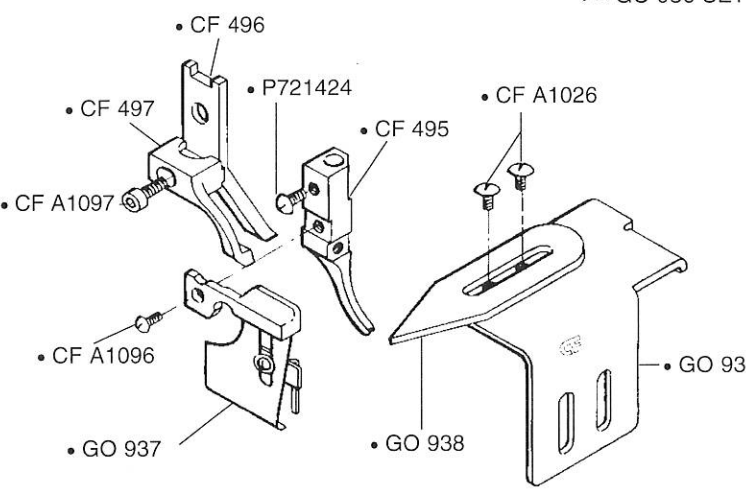

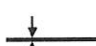
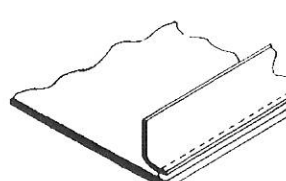
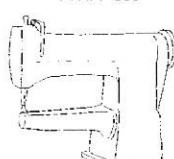
Pos.	Code No. PFAFF 335	Code No. PFAFF 145-245-1245	Code No. ADLER 67-167-267	Code No. ADLER 467	Code No. NECCHI 840	Code No. NECCHI 958	Code No. NECCHI 902
1	PF 42819	PF 42819	ADL 067220803	ADL 067220803	PF 42819	PF 42819	PF 42819
2	PF 44227	PF 44227	ADL 067220810	ADL 367220503	PF 44227	PF 44227	PF 44227
3	PF 46052	PF 45592	ADL 067200390	ADL 367200220		N 380032	N 380028
4	PF 46051	PF 45591	ADL 067210300	ADL 367210160		N 380033	N 380029
5	GO 923				GO 923		
6	GO 922	GO 922	GO 922	GO 922	GO 922	GO 922	GO 922
7	PF 40895	GO 913	GO 914A	GO 914B	N 109196	GO 913A	GO 913A
8	GO 921	GO 921	GO 921	GO 921	GO 921	GO 921	GO 921

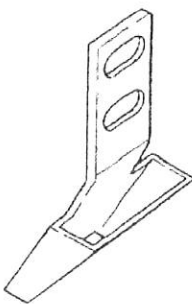
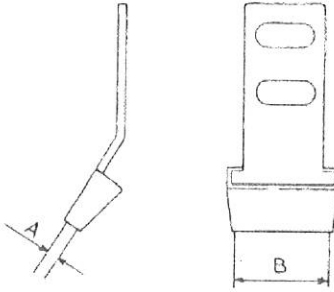
											
mm	inch	mm	inch	mm	inch	mm	inch	mm	inch	mm	inch
12	1/2	6	1/4	3	1/8	28	1-1/8	14	9/16	8	5/16
14	9/16	7	9/32	4	5/32	30	1-3/16	15	19/32	5	3/16
16	5/8	8	5/16	4	5/32	30	1-3/16	15	19/32	6	1/4
18	11/16	9	11/32	4	5/32	30	1-3/16	15	19/32	8	5/16
18	11/16	9	11/32	6	1/4						
20	3/4	10	3/8	4	5/32						
20	3/4	10	3/8	6	1/4						
22	7/8	11	7/16	4	5/32						
22	7/8	11	7/16	6	1/4						
24	15/16	12	15/32	4	5/32						
24	15/16	12	15/32	6	1/4						
26	1-1/32	13	33/64	4	5/32						
26	1-1/32	13	33/64	6	1/4						
28	1-1/8	14	9/16	5	3/16						
28	1-1/8	14	9/16	6	1/4						

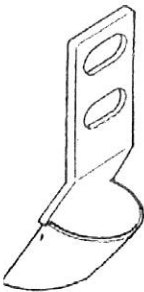
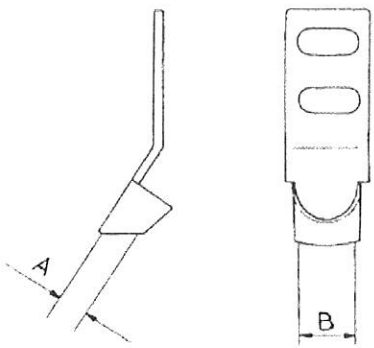
**A RICHIESTA:
GUIDE FUORI MISURA
ON REQUEST:
ALL THE OTHER SIZES**

<h2>GO 930 SET</h2>	ADJUSTABLE PLASTIC READY-MADE PIPING ATTACHMENT	GUIDA REGOLABILE PER PROFILI PLASTICI PREFABBRICATI	GUIDE REGLABLE POUR PASSEPOIL PREFABRIQUE EN PLASTIQUE	GUIA REGULABLE PARA VIVO EN PLASTICO
 <p>• CF 505/S</p> <p>• GO 930</p> <p>• = GO 930 SET</p>		 Adjustable from 7 to 14 mm Adjustable from 9/32 to 9/16 inch		
		<p>A RICHIESTA: GUIDE FUORI MISURA ON REQUEST: ALL THE OTHER SIZES</p>		
<h2>GO 931</h2>	ADJUSTABLE PLASTIC READY-MADE PIPING ATTACHMENT	GUIDA REGOLABILE PER PROFILI PLASTICI PREFABBRICATI	GUIDE REGLABLE POUR PASSEPOIL PREFABRIQUE EN PLASTIQUE	GUIA REGULABLE PARA VIVO EN PLASTICO
 <p>BM 6001 BM 6002</p> <p>GO 931</p> <p>GO 432 - Rimoldi GO 433 - Union Special GO 439 - Brother GO 440 - Yamato GO 443 - Juki GO 446 - Willcox & Gibbs GO 447 - Willcox & Gibbs</p>		 Adjustable from 7 to 14 mm Adjustable from 9/32 to 9/16 inch		
				

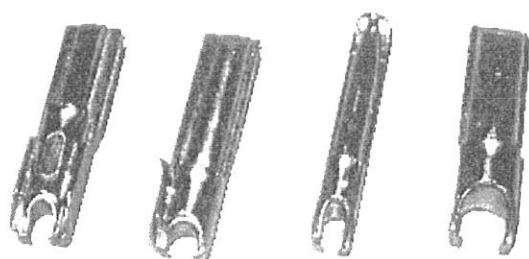
<p>GO 935</p>	<p>ATTACHMENT FOR READY-MADE PIPING TO FIT ON ARM MACHINE</p>	<p>GUIDA PER PROFILO SU MACCHINE A BRACCIO</p>	<p>GUIDE POUR PASSEPOIL SUR MACHINES A BRAS CYLINDRIQUE</p>	<p>GUIA PARA VIVO EN MAQUINAS DE BRAZO</p>	
 <p>GO 935A - Adler 69 GO 935B - Pfaff 335 GO 935C - Necchi 840</p>					
<p>mm inch 3 1/8</p>					
		<p>A RICHIESTA: GUIDE FUORI MISURA ON REQUEST: ALL THE OTHER SIZES</p>			

<p>GO 936 SET</p>	<p>ATTACHMENT AND FOOT TO APPLY TAPE ON SHOES</p>	<p>GUIDE E PIEDINI PER LAVORAZIONE FRANCESINA</p>	<p>GUIDE ET PIED- POUR L'APPLICATION DE BANDE SUR CHAUSSURES</p>	<p>GUIA Y PRENSATELAS PARA APLICAR BANDA EN ZAPATOS</p>	
					
<p>Adjustable from 10 to 15 mm</p> <p>Adjustable from 3/8 to 19/32 inch</p>			<p>L</p>		
	<p>• PFAFF 335</p> 				

<p>CF 1504</p>	<p>GUIDANASTRI PER MULTITESTA TAJIMA TAPEGUIDE FOR MULTIHEADS TAJIMA MACHINES</p>	
		<p>"A" "B" COSTRUITE SU RICHIESTA MANUFACTURED ON REQUEST</p>

<p>CF 1505</p>	<p>GUIDANASTRI PER MULTITESTA TAJIMA TAPEGUIDE FOR MULTIHEADS TAJIMA MACHINES</p>	
		<p>"A" "B" COSTRUITE SU RICHIESTA MANUFACTURED ON REQUEST</p>

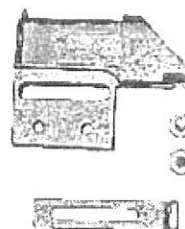
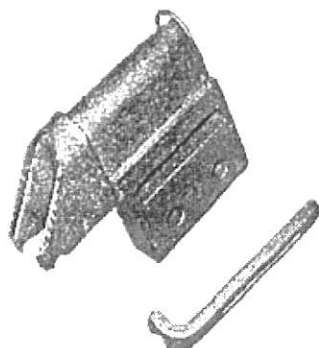
BORDATORI NORMALI STANDARD BINDERS



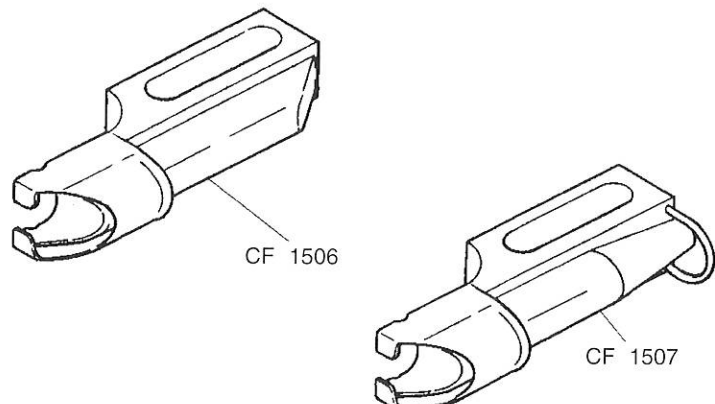
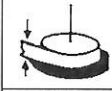
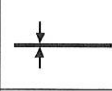

BORDATORI INCLINATI INCLINED BINDERS

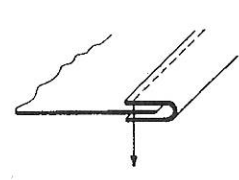
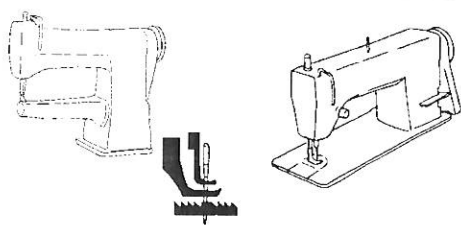


BORDATORI GIGANTI PER MATERASSI GIANT BINDERS FOR MATTRESS

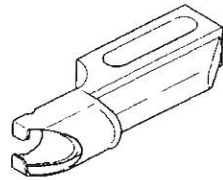
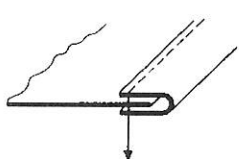
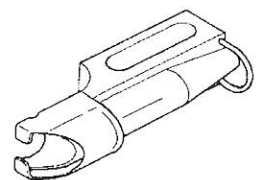
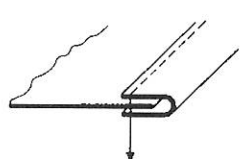
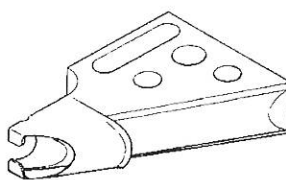
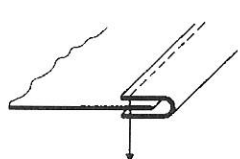
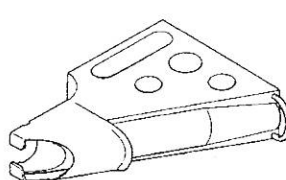
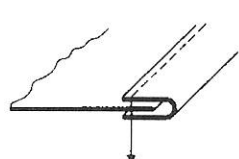
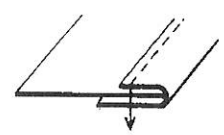
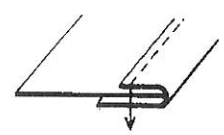
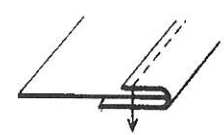
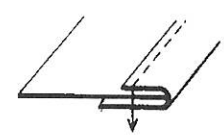
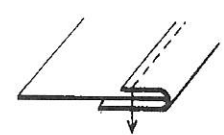
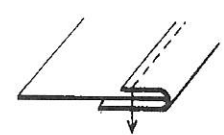
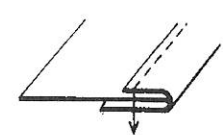
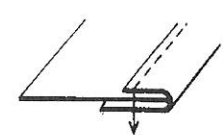


CF 1506 CF 1507	RAW EDGE TAPE BINDER FOR WALKING FOOT MACHINES	BORDATORE PER MACCHINE A TRIPLICE TRASPORTO	BORDEUR SIMPLE REPLI POUR MACHINES A TRIPLE ENTRAINEMENT	GUIADOR SIMPLE PARA MAQUINAS DE TRIPLE TRANSPORT
--------------------	---	--	---	---

				
	mm	mm	mm	
12	1,5	4-4,5-5-5,5		
14	1,5	4-4,5-5-5,5-6-7		
16	1,5	4-4,5-5-5,5-6-7-8		
18	1,5	4-4,5-5-5,5-6-7-8		
20	1,5	4,5-5-5,5-6-7-8		
22	1,5	5-5,5-6-7-8		
25	1,5	5-5,5-6-7-8		
30	1,5	8		

		<p>A RICHIESTA: GUIDE FUORI MISURA ON REQUEST: ALL THE OTHER SIZES</p>
--	--	---

MANUFACTURED ON REQUEST	COSTRUITI SU RICHIESTA	FABRIQUES SUR COMMANDE	SE CONSTRUYE SOBRE DEMANDA
----------------------------	---------------------------	---------------------------	-------------------------------

 <p>CF 1508 ENTRATA - CUT SIZE 8 ÷ 30 mm</p> 	 <p>CF 1510 ENTRATA - CUT SIZE 8 ÷ 30 mm</p> 	 <p>CF 1512 ENTRATA - CUT SIZE 14 ÷ 30 mm</p> 	 <p>CF 1514 ENTRATA - CUT SIZE 14 ÷ 30 mm</p> 
 <p>CF 1509 ENTRATA - CUT SIZE 14 ÷ 30 mm</p> 	 <p>CF 1511 ENTRATA - CUT SIZE 14 ÷ 30 mm</p> 	 <p>CF 1513 ENTRATA - CUT SIZE 14 ÷ 30 mm</p> 	 <p>CF 1515 ENTRATA - CUT SIZE 14 ÷ 30 mm</p> 

GAUGE GUIDES

GUIDE DI BATTUTA

GUIDES

GUIAS DE TOPE

